



Husqvarna®



RA850

EAC

EN	Operator's manual	2-13
BG	Ръководство за експлоатация	14-26
CS	Návod k použití	27-39
DA	Brugsanvisning	40-51
DE	Bedienungsanweisung	52-64
EL	Οδηγίες χρήσης	65-77
ES	Manual de usuario	78-90
ET	Kasutusjuhend	91-102
FI	Käyttöohje	103-114
FR	Manuel d'utilisation	115-127
HU	Használati utasítás	128-140
IT	Manuale dell'operatore	141-153
LT	Operatoriaus vadovas	154-165
LV	Lietošanas pamācība	166-178
NL	Gebruiksaanwijzing	179-191
NO	Bruksanvisning	192-203
PL	Instrukcja obsługi	204-216
PT	Manual do utilizador	217-229
RO	Instructiuni de utilizare	230-242
RU	Руководство по эксплуатации	243-255
SK	Návod na obsluhu	256-267
SL	Navodila za uporabo	268-279
SV	Bruksanvisning	280-291
TR	Kullanım kılavuzu	292-303

Contents

Introduction.....	2	Maintenance.....	9
Safety.....	4	Transportation, storage and disposal.....	12
Operation.....	7	Technical data.....	12
Assembly.....	8	EC Declaration of Conformity.....	13

Introduction

Intended use



WARNING: The cutting attachment must only be used together with compatible products. Refer to the operator's manual of the product.

The cutting attachment is used to cut grass and twigs.

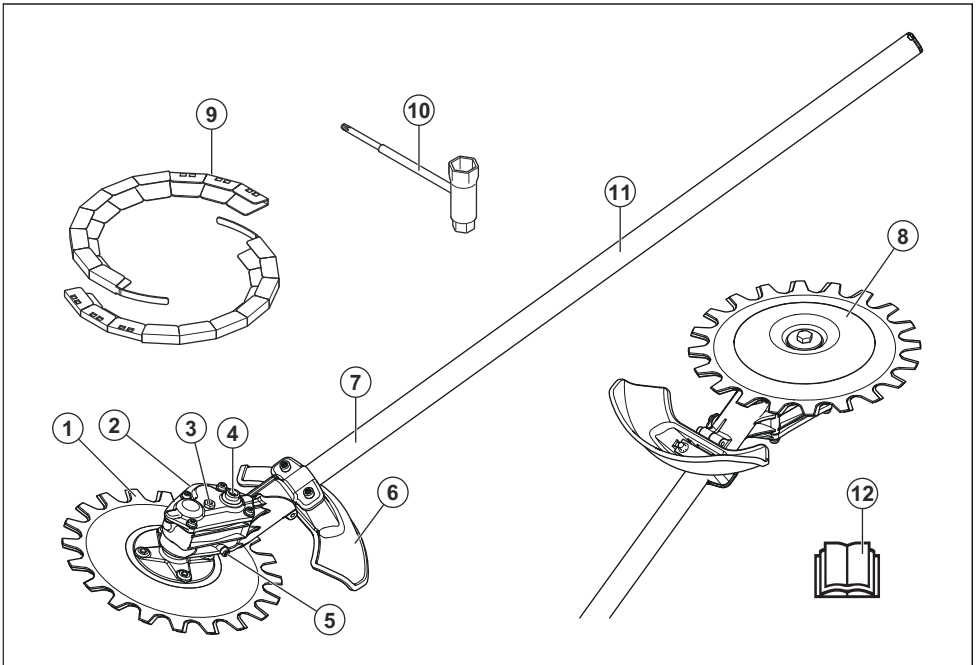
Note: National regulations can set limit to the operation of the product.

Product description

We have a policy of continuous product development and therefore reserve the right to modify the design and appearance of the products without prior notice.

Note: This manual cover both gasoline operated and battery operated power units.

Cutting attachment overview



- | | |
|--------------------|---------------------------------------|
| 1. Blade | 4. Socket to move the blades manually |
| 2. Gear housing | 5. Bottom grease plug |
| 3. Top grease plug | 6. Cutting attachment guard |

7. Shaft
8. Support cup
9. Transport guard
10. Combination wrench
11. Information and warning decal
12. Operator's manual

Symbols on the attachment and on the power unit



Careless or incorrect use of this attachment can result in serious or fatal injury to the operator or others.



Read the operator's manual carefully and make sure you understand the instructions before you use the attachment.



Use a protective helmet in locations where objects can fall on you. Use approved hearing protection. Use approved eye protection.



Always wear approved protective gloves.



Wear sturdy, non-slip boots.



Maximum cuts per minute.



The arrows show the limits for the position of the handle.



The product can cause objects to eject, which can cause injury.



Keep a minimum of 15 m / 50 ft distance to persons and animals during operation of the product.



The operator must ensure that no people or animals come closer than 15 metres. When several operators are working at the same site a safety distance of at least 15 metres must be in effect. The attachment can forcibly throw objects that can bounce back. This can result in serious eye injuries if the recommended safety equipment is not used.



Noise emission to the environment according to the European Community's Directive. The attachment's emission is specified in the *Technical data on page 12* chapter and on the label.



This attachment is in accordance with applicable EC directives.



The product agrees with the applicable EAC directives.



The product agrees with the applicable Ukraine directives



The product agrees with the applicable Australia and New Zealand electromagnetic compatibility directives.

yyyywwxxxx

The serial label shows serial number. **yyyy** is the production year and **ww** is the production week.

Note: Other symbols/decals on the attachment refer to special certification requirements for certain markets.

EU V



WARNING: Tampering with the engine voids the EU type-approval of this product.

IMPORTANT SAFETY INSTRUCTIONS

Safety definitions

Warnings, cautions and notes are used to point out specially important parts of the operator's manual.



WARNING: Used if there is a risk of injury or death for the operator or bystanders if the instructions in the manual are not obeyed.



CAUTION: Used if there is a risk of damage to the product and/or the attachment, other materials or the adjacent area if the instructions in the manual are not obeyed.

Note: Used to give more information that is necessary in a given situation.

Read all instructions



WARNING: When using electric gardening appliances, basic safety precautions should always be followed to reduce the risk of fire, electric shock, and personal injury, including the following:

General safety instructions



WARNING: Read the safety instructions that follow before you use the attachment.

- Please read the operator's manual carefully and make sure you understand the instructions before using the attachment.
- These instructions supplement the instructions that were included with the product. For other procedures, please refer to the operating instructions for the product.
- Under no circumstances may the design of the attachment be modified without the permission of the manufacturer. Do not use an attachment that appears to have been modified by others and always use original accessories. Non-authorized modifications and/or accessories can result in serious personal injury or the death of the operator or others.
- Overexposure to vibration can lead to circulatory damage or nerve damage in people who have

impaired circulation. Contact your doctor if you experience symptoms of overexposure to vibration. Such symptoms include numbness, loss of feeling, tingling, pricking, pain, loss of strength, changes in skin color or condition. These symptoms normally appear in the fingers, hands or wrists. These symptoms may be increased in cold temperatures.

Safety instructions for operation



WARNING: Read the warning instructions that follow before you use the product.

- Only use the product for operations that are given in this manual. Refer to *Intended use on page 2*.
- Do not use the product if you are not sure about if you can operate it.
- Do not operate this product when you are tired, ill, or if you use alcohol, drugs or medicine. This can decrease your vision, your judgment or your coordination.
- Do not use the product if you cannot get aid if an accident occurs.
- Do not use the product if there are signs of damage.
- Make sure that the cutting attachment always stops when the engine/motor is at idle speed.
- Make sure that no one comes nearer than 15 m / 50 ft when you cut. Make sure that only approved persons are in the work area.
- Do not let children use or come near the product.
- Keep the work area clean and bright. Do not use the product in bad weather, for example in fog, heavy rain, strong winds, intense cold, risk of lightning.
- If something gets caught in the blades during operation, stop the engine/motor and wait until the blades do not move. Remove the spark plug cap from the spark plug/remove the battery. Put the combination wrench in the gear housing socket to move the blades, refer to *To sharpen the blades on page 10*.
- If the blades are damaged during operation, the top blade and lower blade can get caught in each other. Do not touch the blades, they can move suddenly and cause injury.
- Make sure that you are in a safe and stable position during operation.
- The product can cause objects to eject at high speed. Make sure that all persons in the work area use approved personal protective equipment. Remove loose objects from the work area.
- Monitor the work area when you wear hearing protection. Always remove your hearing protection when the engine/motor stops.
- If the product has unusual vibration, stop the engine/motor. If you have a gasoline operated product,

remove the spark plug cap from the spark plug. If you have a battery operated product, remove the battery. Check immediately for the cause. Vibration is usually a warning of damage.

- Do not go away from the product when the engine/motor is on.
- Hold the product with 2 hands. Hold the product on the right of your body. Operate the product with the cutting attachment below your waist.



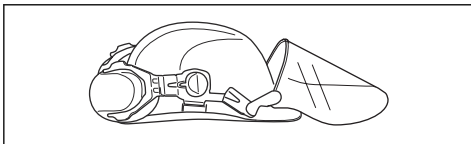
- The cutting attachment must cut away from the operator. To cut in the direction the operator can cause serious injury.
- Make sure your hands and feet do not come near the blades when the engine/motor is on.

Personal protective equipment



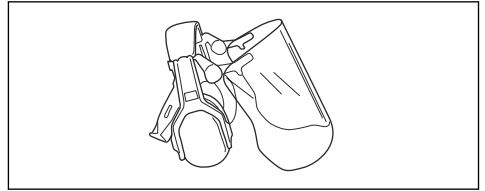
WARNING: Read the warning instructions that follow before you use the product.

- Always use approved personal protective equipment when you use the product. Personal protective equipment cannot fully prevent injury but it decreases the degree of injury if an accident does occur. Let your dealer help you select the right equipment.
- Use a protective helmet where there is a risk of falling objects.

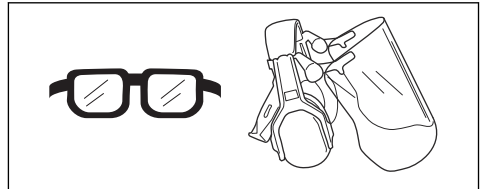


- Long term exposure to noise can result in damaged hearing. In general, battery powered products are relatively quiet but damage can result from a combination of noise level and long usage. Husqvarna recommends that operators use hearing protectors when using products for a longer coherent time of a day. Continual and regular users should have their hearing checked regularly. Note that

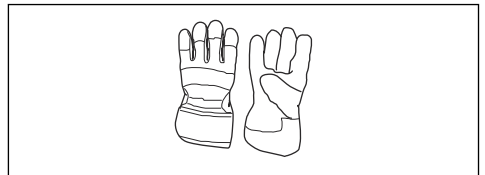
hearing protectors limit the ability to hear sounds and warning signals.



- Use approved eye protection. If you use a visor, you must also use approved protective goggles. Approved protective goggles must agree with the ANSI Z87.1 standard in the USA or EN 166 in EU countries.



- Use gloves when it is necessary, for example, when you examine or clean the product.

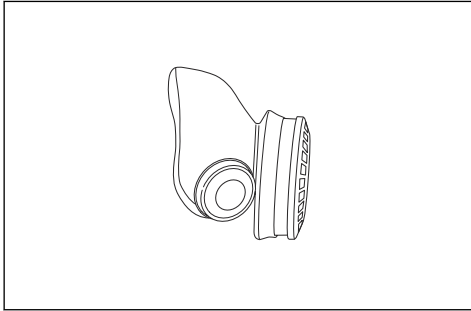


- Use protective boots, or shoes, with non-slip soles.



- Use clothing made of a strong fabric. Always use heavy, long pants and long sleeves. Do not use loose clothing that can catch on twigs and branches. Do not wear jewelry, short pants, open shoes or go with bare feet. Put your hair up safely above your shoulders.

- Use breathing protection when there is a risk of dust.



- Keep first aid equipment close at hand.



Safety devices on the attachment



WARNING: Read the warning instructions that follow before you use the attachment.

This section contains the attachment's safety features, its purpose and how checks and maintenance should be carried out to ensure that it operates correctly. See instructions under the heading *Cutting attachment overview on page 2* to find where these parts are located on your attachment.

The life span of the attachment can be reduced and the risk of accidents can increase if attachment maintenance is not carried out correctly and if service and/or repairs are not carried out professionally. If you need further information please contact your nearest servicing dealer.



WARNING: Never use an attachment with defective safety components. The attachment's safety equipment must be inspected and maintained as described in this section. If your attachment fails any of these checks, contact your service agent to get it repaired.



WARNING: All servicing and repair work on the product requires special training. This is especially true of the product's safety equipment. If your product fails any of the checks described below you must contact your service agent. When you buy any of our products we guarantee the availability of professional repairs and service. If the retailer who sells your product is not a

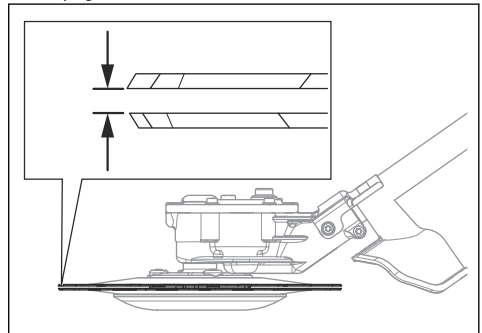
servicing dealer, ask him for the address of your nearest service agent.

To do a check of the cutting attachment and the cutting attachment guard

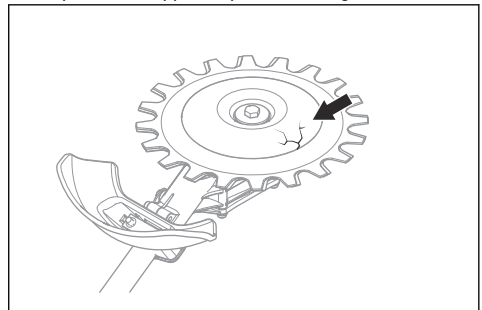


WARNING: Do not use a cutting attachment without an approved cutting attachment guard. If an incorrect or defective cutting attachment guard is installed, it can cause injury.

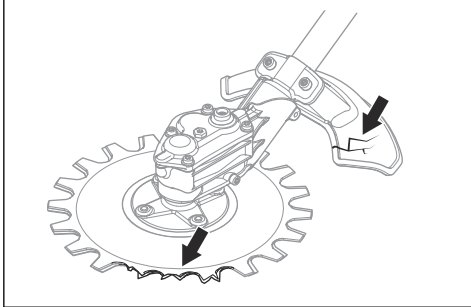
1. Stop the engine and make sure that the cutting attachment stops.
2. If you have a gasoline operated product, remove the spark plug cap from the spark plug. If you have a battery operated product, remove the battery from the product.
3. Put on protective gloves.
4. Make sure that the blades are not damaged. Replace the blades if they are damaged. Refer to *To replace the blades on page 10*.
5. Examine the blades. Make sure that there is no clearance between the blades. If there is a clearance between the blades, the blades must be adjusted. Refer to *To adjust the clearance between the blades on page 11*.



6. Make sure that the support cup is not damaged. Replace the support cup if it is damaged.



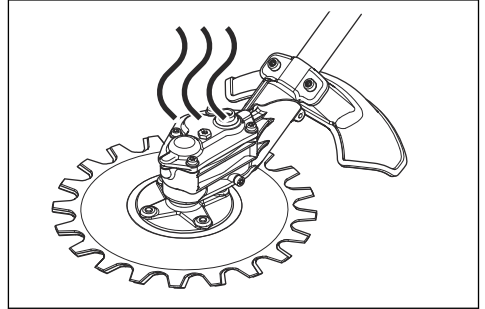
7. Make sure that the screws on the cutting attachment are tightened.
8. Make sure that the blades and the cutting attachment guard is not damaged. Replace damaged parts.



cutting attachment has stopped fully before you do maintenance.



WARNING: The gear housing gets hot during operation of the product. Hot surfaces can burn you, do not touch the gear housing.



Safety instructions for maintenance



WARNING: The cutting attachment can continue to rotate after the throttle/power trigger has been released. If you have a gasoline operated product, remove the spark plug cap from the spark plug. If you have a battery operated product, remove the battery from the product. Make sure that the

- Always wear heavy-duty gloves when you repair the cutting attachment. The cutting equipment is very sharp and can easily cause cuts.
- Use only original spare parts for repairs.

SAVE THESE INSTRUCTIONS

Operation

The working technique



WARNING: Branches or grass can get caught between the cutting attachment guard and the cutting attachment. Always stop the engine/motor before you clean the cutting attachment.

- Use full throttle/speed when you cut and decrease to idle speed after each cut.

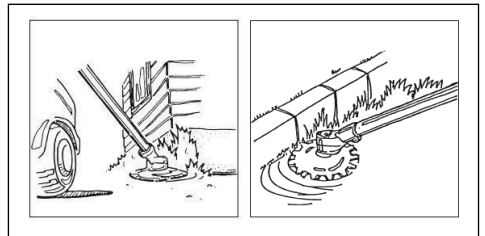


CAUTION: Engine/motor damage can occur if the engine runs for too long at full throttle without load.

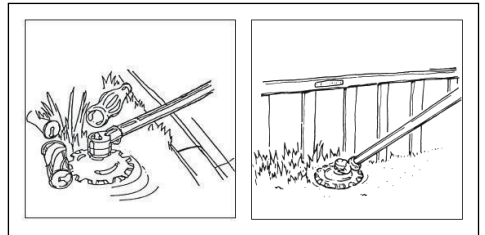
Recommended use for the cutting attachment

The cutting attachment blades moves with a small angle and can cut in all directions. Move the cutting attachment along the ground at a height where the support cup touches the ground. Use the cutting attachment to cut:

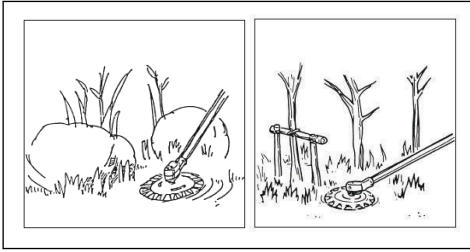
- Park areas and road edges.



- Road side and near fences.



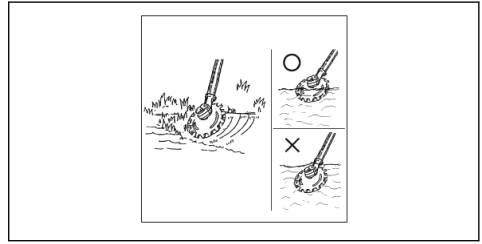
- Around stones and trees.



- Near water.



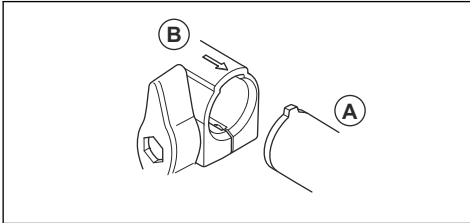
CAUTION: Do not put the gear housing in water.



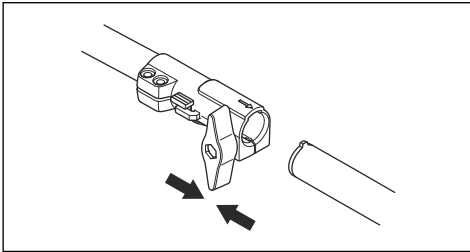
Assembly

To assemble the two-piece shaft

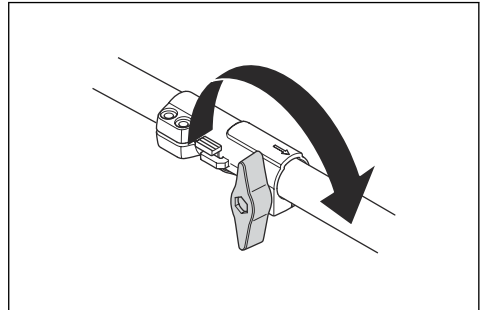
1. Turn the knob to loosen the coupling.
2. Align the tab of the cutting attachment (A) with the arrow of the coupling (B).



3. Carefully push the shaft into the coupling until you hear a click.

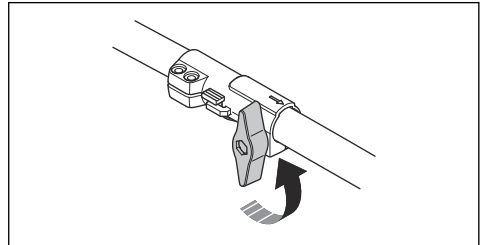


4. Tighten the knob fully.



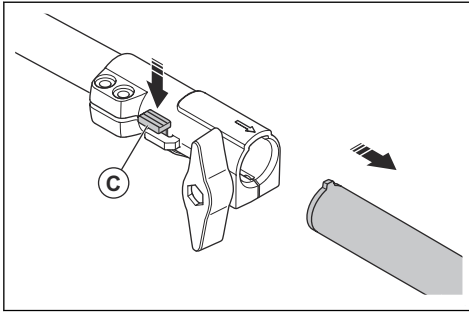
To disassemble the two-piece shaft

1. Turn the knob 3 turns or more to loosen the coupling.



2. Push and hold the button (C).
3. Hold tight in the end of the shaft that the engine is attached to.

4. Pull the attachment straight out of the coupling.



Maintenance

Introduction

Below you will find some general maintenance instructions. If you need further information please contact your service workshop.

Note: The operator must only do the maintenance and service on the cutting attachment that is given in this operator's manual. Other maintenance and service must be done by an approved service workshop.

Maintenance schedule

Below is a list of the maintenance steps that must be done on the cutting attachment.

Maintenance	Daily	Weekly	Monthly
Clean the external parts of the product.	X		
Make sure that the blades are not damaged. Replace the blades if they are damaged.	X		
Make sure that the cutting attachment guard is not damaged. Replace the cutting attachment guard if it is damaged.	X		
Make sure that the support cup is not damaged. Replace the support cup if it is damaged.	X		
Make sure that the screws and nuts are tight.	X		
Fill the gear housing with grease, approximately each 100 work hours.		X	

To clean and lubricate the blades

- Clean the blades from unwanted materials before and after you use the product.
- Lubricate the blades before long periods of storage.

Note: Speak to your servicing dealer for more information about recommended cleaning agents and lubricants.

cause damage to the seals and cause leakage.

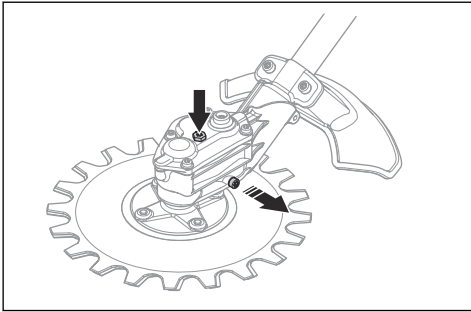
- Remove the grease plugs.

To lubricate the gear housing



CAUTION: Do not fill the gear housing fully. If the gear housing is full, the grease can

2. Add grease to the top hole.



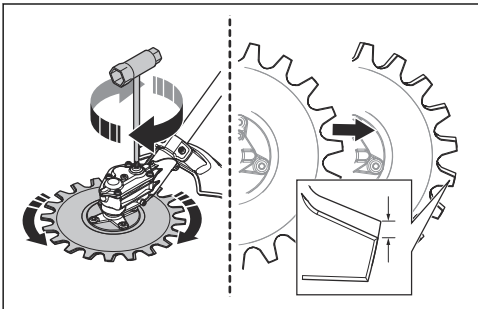
3. Install the grease plugs.

To sharpen the blades

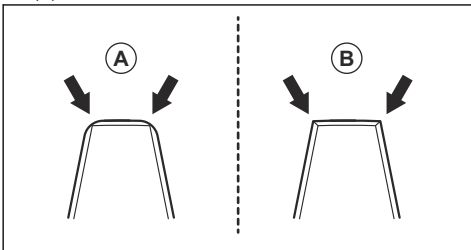


WARNING: Use protective gloves when you hold the blades.

1. Put the combination wrench in the socket on the gear housing.
2. Turn the combination wrench until there is a 3 mm/ 0.12 in. difference between the top blade and the lower blade.

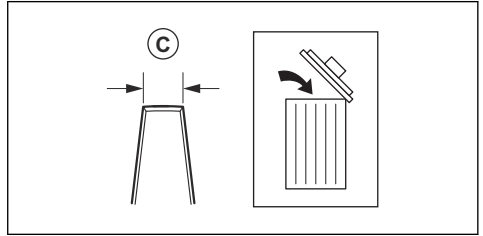


3. Sharpen the edges (B) that you can access with a grinder. Make sure not to make the edges rounded (A).



4. Turn the combination wrench in the opposite direction to get access to the opposite edges.
5. Sharpen the edges that you can access with a grinder.

6. Replace the blades when the width of the tooth is less than 8 mm/0.32 in. (C).



To replace the blades



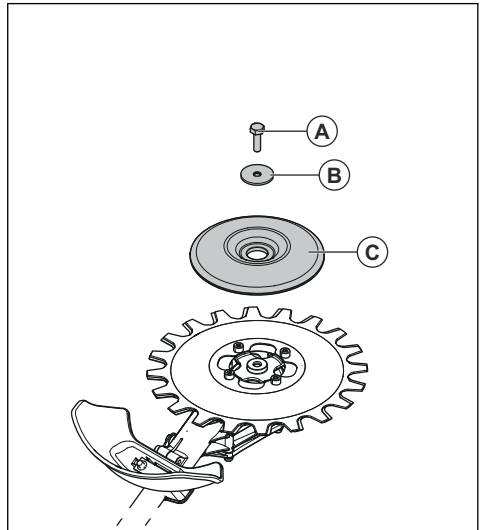
WARNING: Use protective gloves when you hold the blades.



WARNING: To prevent unbalance and vibrations in the product, clean the cutting attachment when you replace the blades.

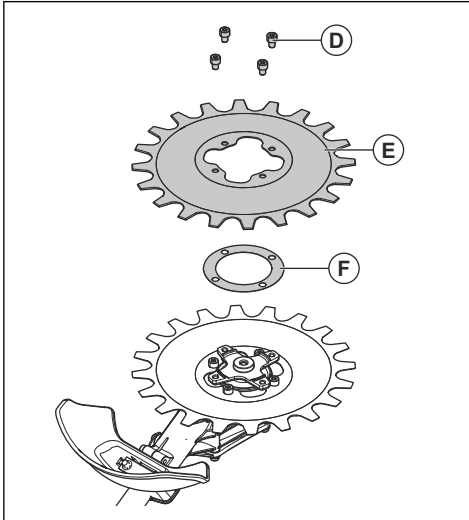
Note: The blades are interchangeable.

1. Remove the center screw (A), the washer (B) and the support cup (C).

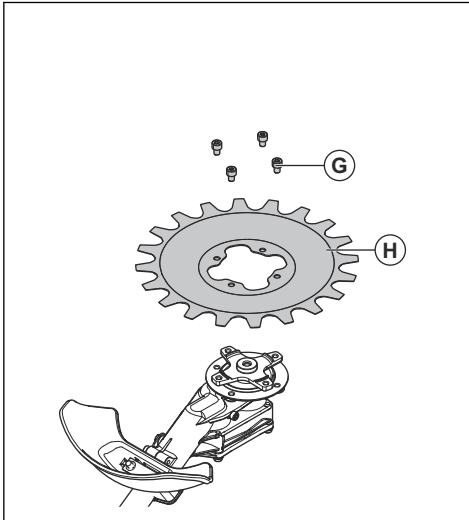


Note: The center screw has a left hand thread

- Remove the 4 screws (D), the lower blade (E) and the shim (F).



- Remove the 4 screws (G) and the top blade (H).



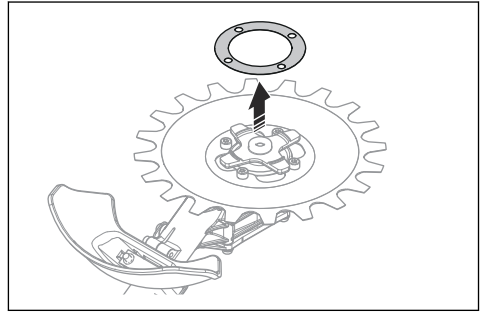
- Install the blades in opposite sequence. Tighten the screws equally when you install the blades.

To adjust the clearance between the blades



WARNING: Use protective gloves when you hold the blades.

- Remove the lower blade, refer to *To replace the blades on page 10*.
- Remove the shim.



Note: Save the shim until it is time to replace the blades.

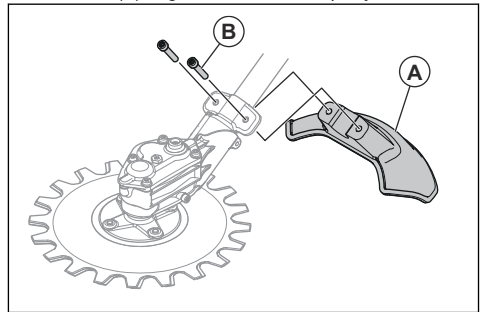
- Install the lower blade. Tighten the screws equally when you install the blades.

To replace the cutting attachment guard



WARNING: Use protective gloves when you hold the blades

- Remove the 2 screws (B) and the cutting attachment guard (A).
- Install the new cutting attachment guard (A) with the 2 screws (B). Tighten the screws equally.



Transportation, storage and disposal

Transport and storage

- Make sure that the transport guard is attached correctly to the cutting attachment when the product is not in use, is transported or is in storage.
- Keep the cutting attachment in a locked area to prevent access for children or persons that are not approved.

- Attach the cutting attachment safely during transportation to prevent damage and accidents.
- Make sure that the cutting attachment is clean and that a complete service is done before long time storage.

Technical data

Technical data

RA850	
Weight	
Weight, kg	2.5
Noise emissions¹	
Sound power level, measured dB (A)	102
Sound power level, guaranteed L_{WA} , dB (A)	105
Noise levels²	
Equivalent sound pressure level at the operator's ear, measured according to EN ISO 11806-1 and EN ISO 22868, dB(A)	
Equipped with approved accessory (original)	90
Vibration levels³	
Equivalent vibration levels ($a_{hv,eq}$) at handles, measured according to EN ISO 11806-1 and ISO 22867, m/s^2	
Equipped with approved accessory (original), left/right	3.9/4.8
Blades	
Diameter, mm	230
Blade speed, cuts/min	4600

¹ Noise emissions in the environment measured as sound power (L_{WA}) in conformity with EC directive 2000/14/EC. Reported sound power level for the machine has been measured with the original cutting attachment that gives the highest level. The difference between guaranteed and measured sound power is that the guaranteed sound power also includes dispersion in the measurement result and the variations between different machines of the same model according to Directive 2000/14/EC.

² Reported data for equivalent sound pressure level for the machine has a typical statistical dispersion (standard deviation) of 1 dB(A).

³ Reported data for equivalent vibration level has a typical statistical dispersion (standard deviation) of 1 m/s^2 .

EC Declaration of Conformity

EC Declaration of Conformity

Husqvarna AB, SE-561 82 Huskvarna, Sweden, tel: +46-36-146500, declares that the reciprocator attachment **Husqvarna RA850** with serial numbers dating from 2019 onwards (the year is clearly stated on the rating plate, followed by the serial number), comply with the requirements of the COUNCIL'S DIRECTIVE:

- of May 17, 2006 "relating to machinery" **2006/42/EC**.
- of June 8, 2011 "on the restriction of the use of certain hazardous substances in electrical and electronic equipment" **2011/65/EU**.
- of May 8, 2000 "relating to the noise emissions in the environment" **2000/14/EC**. Conformity assessment according to Annex V. For information relating to noise emissions, refer to the Technical data chapter.

The following standards have been applied:

EN ISO 11806-1:2011, EN 50581:2012

RISE SMP Svensk Maskinprovning AB, Box 7035, SE-750 07 Uppsala, Sweden has carried out voluntary type approval for Husqvarna AB. The certificates have the numbers: **SEC/19/2528**

Huskvarna, 2019-03-11



Per Gustafsson, Development Manager (Authorized representative for Husqvarna AB and responsible for technical documentation)

Содержание

Въведение.....	14	Поддръжка.....	21
Безопасност.....	16	Транспортиране, съхранение и изхвърляне.....	24
Операция.....	20	Технически данни.....	24
Монтаж.....	21	Декларация за съответствие на ЕО.....	26

Въведение

Предназначение

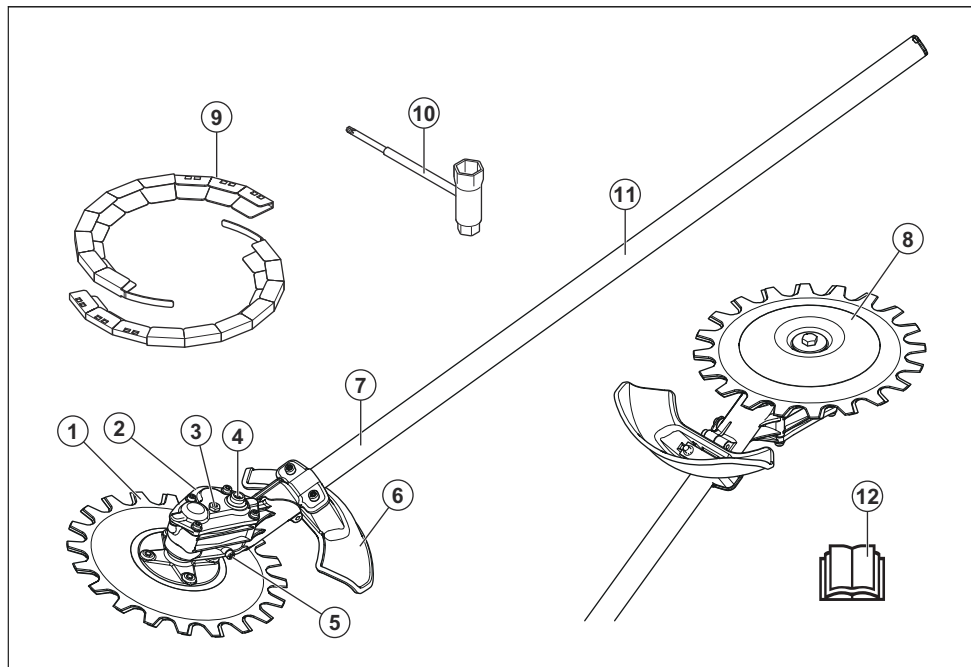


ПРЕДУПРЕЖДЕНИЕ: Режещото оборудване трябва да се използва само със съвместими продукти. Направете справка с инструкцията за експлоатация на продукта.

Режещото оборудване се използва за косене на трева и рязане на вейки.

Забележка: Националните разпоредби могат да поставят ограничения за работата с продукта.

Преглед на режещото оборудване



1. Нож
2. Корпус на предавката

3. Пробка на горния отвор за гресирание
4. Гнездо за ръчно задвижване на резците

5. Пробка на долния отвор за гресиране
6. Предпазител на режещо оборудване
7. Вал
8. Сферична опора
9. Защита при транспортиране
10. Комбиниран гаечен ключ
11. Информационна и предупредителна лепенка
12. Инструкция за експлоатация

Символи върху оборудването и захранващия блок



Невнимателното или неправилното използване на тази приставка може да доведе до сериозно или смъртоносно нараняване на оператора или други лица.



Прочетете внимателно ръководството за оператора и се уверете, че разбирате инструкциите, преди да използвате оборудването.



Използвайте защитна каска на местата, където върху Вас могат да паднат предмети. Използвайте одобрени антифони. Използвайте одобрени защитни средства за очите.



Винаги носете одобрени защитни ръкавици.



Носете устойчиви и нехлъзгащи се ботуши.



Максимален брой срезове в минута.



Стрелките показват ограниченията на позицията на ръкохватката.



Възможно е изхвърчане на предмети от продукта, което може да доведе до нараняване.



Поддържайте минимална дистанция от 15 m/50 ft спрямо хора и животни по време на работа с продукта.



Операторът трябва да внимава да не се приближават хора или животни в радиус от 15 m. Когато няколко оператора работят в един и същ обект, трябва да се спазва безопасно разстояние от поне 15 метра. Оборудването може да изхвърли предмети с голяма сила, които да отскочат обратно. Това може да доведе до сериозни наранявания на очите, ако не се използват препоръчителните предпазни средства.



Шумови емисии в околната среда в съответствие с Директивата на Европейската общност. Емисиите на оборудването са посочени в главата *Технически данни на страница 24* и на етикета.



Това оборудване отговаря на изискванията на приложимите директиви на ЕО.



Продуктът е в съответствие с приложимите директиви на ЕАС.



Продуктът е в съответствие с приложимите директиви на Украйна



Продуктът е в съответствие с приложимите директиви на Австралия и Нова Зеландия относно електромагнетичната съвместимост.

ууууwxxxx

Серийният номер е показан на табелката за серийния номер. **ггг** е годината на производство, а **сс** е седмицата на производство.

Забележка: Останалите символи/лепенки със символи върху приставката се отнасят за специфични изисквания по отношение на сертификати за определени пазари.



ПРЕДУПРЕЖДЕНИЕ: Намесата в двигателя прави невалидно ЕС одобрението на тип на този продукт.

Безопасност

ВАЖНИ ИНСТРУКЦИИ ЗА БЕЗОПАСНОСТ

Дефиниции за безопасност

Предупреждения, знаци за внимание и бележки се използват за указване на особено важни части на инструкцията за експлоатация.



ПРЕДУПРЕЖДЕНИЕ: Използва се, ако има опасност от нараняване или смърт за оператора или за околните, ако не се спазват инструкциите в ръководството.



ВНИМАНИЕ: Използва се, ако има опасност от повреждане на продукта и/или приставката, други материали или съседната зона, ако не се спазват инструкциите в ръководството.

Забележка: Използва се за предоставяне на повече информация, която е необходимо в дадена ситуация.

Прочетете всички инструкции



ПРЕДУПРЕЖДЕНИЕ: Когато използвате електрически градинарски инструменти, основните инструкции по техника за безопасност трябва винаги да се спазват, за да се намали опасността от пожар, електрически удар и телесна повреда, включително следното:

Общи инструкции за безопасност



ПРЕДУПРЕЖДЕНИЕ: Прочетете следващите инструкции за безопасност, преди да използвате приставката.

- Прочетете внимателно ръководството за оператора и се уверете, че разбирате инструкциите, преди да използвате приставката.
- Тези инструкции допълват инструкциите, приложени към продукта. За други процедури, моля, направете справка с инструкциите за работа за продукта.

- При никакви обстоятелства не бива да се нанасят модификации в първоначалната конструкция на приставката без разрешение от производителя. Не използвайте дадена приставка, когато се вижда, че е модифицирана от други лица, и винаги използвайте оригинални принадлежности. Неразрешени изменения и/или приспособления може да предизвикат сериозни телесни повреди или смъртта на оператора или други лица.
- Прекомерно излагане на вибрации може да доведе до поражения върху кръвоносни съдове и нервната система на хора със смущения в кръвообращението. Потърсете лекарска помощ, ако се появят симптоми, които могат да са резултат от вибрации. Такива симптоми са например изтръпване, загуба на чувствителност, "иглички", "бодежи", болки, физическа отпуснатост, промяна на цвета или състоянието на кожата. Тези симптоми се появяват обикновено на пръстите, ръцете и китките. Тези симптоми могат да се влошат при студени температури.

Инструкции за безопасност за работа



ПРЕДУПРЕЖДЕНИЕ: Прочетете следващите предупредителни указания, преди да използвате машината.

- Използвайте продукта само за посочените в това ръководство операции. Вижте *Предназначение на страница 14*.
- Не използвайте продукта, ако не сте сигурни дали можете да работите с него.
- Не работете с този продукт, ако сте уморени, болни или под въздействието на алкохол, наркотици или лекарства. Те могат да нарушат Вашето зрение, способност за преценка или Вашата координация.
- Не използвайте продукта, ако не можете да получите помощ при възникването на нещастен случай.
- Не използвайте продукта, ако има признаци на повреда.
- Погрижете се режещото оборудване да спира винаги когато двигателят/моторът работи при обороти на празния ход.
- Погрижете се при рязане никога да не се приближава на разстояние, по-малко от 15 м/50

ft. Уверете се, че в работната зона има само утълномошени лица.

- Не позволявайте на деца да използват или да бъдат близо до продукта.
- Поддържайте работната зона чиста и осветена. Не използвайте продукта в лошо време, например при мъгла, силен дъжд, силни ветрове, много ниски температури, риск от мълнини.
- Ако по време на работа нещо бъде захванато от резците, спрете двигателя/мотора и изчакайте, докато резците спрат да се движат. Махнете лулата на запалителната свещ от запалителната свещ/отстранете акумулатора. Поставете комбиниран гаечен ключ в гнездото на корпуса на скоростната кутия, за да задвижите резците, направете справка с *За заточване на резците на страница 22*.
- Ако резците са повредени по време на работа, горният и долният резец могат да се зацепят един в друг. Не докосвайте резците, те могат да се задвижат неочаквано и да предизвикат нараняване.
- Уверете се, че сте застанали в безопасна и стабилна позиция по време на работа.
- Продуктът може да предизвика изхвърляне на предмети с висока скорост. Уверете се, че всички лица в работната зона използват одобрени лични предпазни средства. Отстранете незакрепените предмети от работната зона.
- Следете работната зона, когато носите антифони. Винаги сваляйте антифоните след спиране на двигателя/мотора.
- Ако в продукта се получат необичайни вибрации, спрете двигателя/мотора. Ако имате продукт, който работи с бензин, извадете лулата на запалителната свещ от запалителната свещ. Ако имате продукт, работещ с акумулатор, извадете акумулатора. Проверете веднага причината. Вибрациите обикновено са предупреждение за повреда.
- Не се отдалечавайте от продукта, когато двигателя/моторът работи.
- Дръжте продукта с 2 ръце. Дръжте продукта отдясно на тялото си. Работете с продукта с режещото оборудване под нивото на кръста.



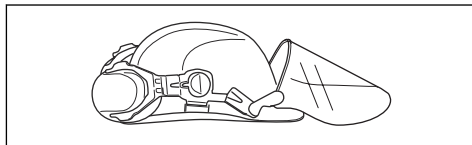
- Режещото оборудване трябва да реже настрана от оператора. Рязането по посока на оператора може да доведе до тежко нараняване.
- Не допускате ръцете и краката Ви да се приближават до резците, когато е включен двигателят/моторът.

Лични предпазни средства

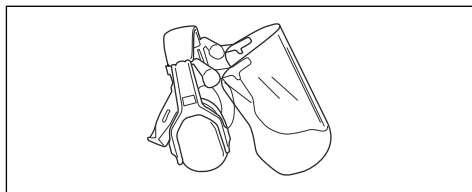


ПРЕДУПРЕЖДЕНИЕ: Прочетете следващите предупредителни указания, преди да използвате машината.

- При работа с продукта винаги използвайте одобрени лични предпазни средства. Личните предпазни средства не изключват изцяло риска от нараняване, но намаляват степента на нараняването при злополука. Нека вашият дилър Ви помогне да изберете подходящото оборудване.
- Използвайте защитна каска, когато има риск от падащи предмети.



- Продължителното излагане на шум може да доведе до увреждане на слуха. По принцип продуктите, захранвани от батерии, са сравнително тихи, но увреждането може да настъпи в резултат на комбинация от нивото на шума и дългото използване. Husqvarna препоръчва операторите да използват антифони при по-продължително ползване на продуктите през деня. Потребителите, които използват продукт продължително и редовно, трябва да проверяват слуха си периодично. Имайте предвид, че антифоните ограничават възможността за чуване на звуци и предупредителни сигнали.



- Използвайте одобрени защитни средства за очите. Ако използвате маска, използвайте също и одобрени защитни очила. Одобрените защитни

очила трябва да отговарят на стандарт ANSI Z87.1 за САЩ или EN 166 за страните от ЕС.

- Дръжте в близост комплект за първа помощ.



Приспособления за безопасност по приставката



ПРЕДУПРЕЖДЕНИЕ: Прочетете следващите предупредителни инструкции, преди да използвате приставката.

В този раздел се описват функциите за безопасност на приставката, нейното предназначение и как трябва да се извършват проверки и техническо обслужване, за да се гарантира правилната работа. Вижте инструкциите под заглавието *Преглед на режещото оборудване на страница 14*, за да откриете къде се намират тези части по приставката Ви.

Срокът на експлоатация на приставката може да се намали, а рискът от злополуки да се повиши, ако не се извършва правилно техническо обслужване на приставката и ако сервизът и/или ремонтите не се извършват професионално. Ако Ви е необходима допълнителна информация, обърнете се към сервизния дистрибутор, разположен най-близко до Вас.

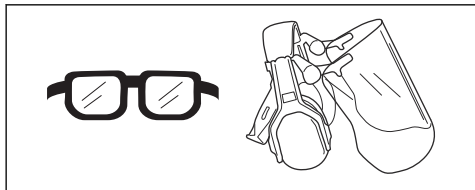


ПРЕДУПРЕЖДЕНИЕ: Никога не използвайте приставка с дефектни обезопасителни компоненти.

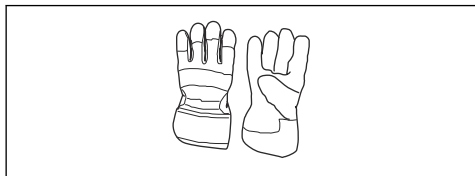
Предпазните средства на приставката трябва да бъдат преглеждани и технически обслужвани така, както е описано в този раздел. Ако приставката Ви не премине успешно някоя от изброените проверки, свържете се със сервиза си за извършване на ремонт.



ПРЕДУПРЕЖДЕНИЕ: Всяко извършване на сервиз и ремонт на продукта изисква специално обучение. Това важи в особена степен за предпазните средства на продукта. Обърнете към Вашия сервиз, ако продуктът не премине успешно изброените по-долу проверки. При покупката на наш продукт ние гарантираме предоставянето на квалифицирани ремонтни услуги и сервиз. Ако мястото, от което сте закупили продукта, не е сервизен дистрибутор, попитайте за адреса на най-близкия сервиз.



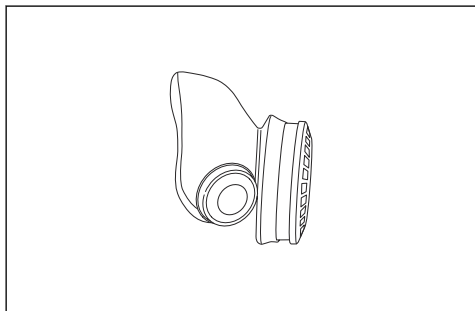
- Носете ръкавици, когато е необходимо, например когато проверявате или почиствате продукта.



- Използвайте защитни ботуши или обувки с противоплъзгащи подметки.



- Използвайте дрехи, направени от здрава тъкан. Винаги използвайте здрави, дълги панталони и дълги ръкави. Не носете използвайте дрехи, които могат да се захванат за храсти и клони. Не носете бижута, къси панталони, отворени обувки и не ходете боси. Приберете косата си безопасно над нивото на раменете.
- Използвайте средства за защита на дихателната система, когато има опасност от прах.

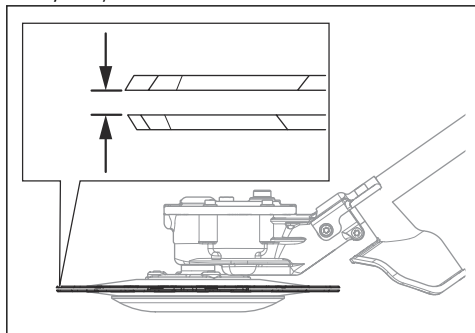


За да направите проверка на режещото оборудване и на предпазителя на същото

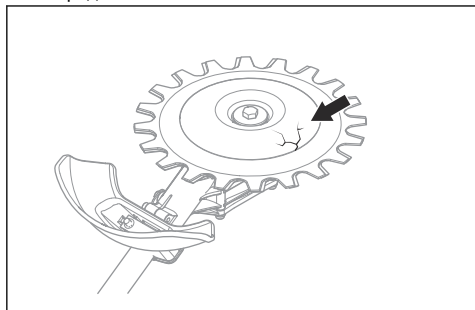


ПРЕДУПРЕЖДЕНИЕ: Не използвайте режещо оборудване, без да е монтиран одобрен предпазител на режещото оборудване. Монтирането на неподходящ или неизправен предпазител на режещото оборудване може да доведе до нараняване.

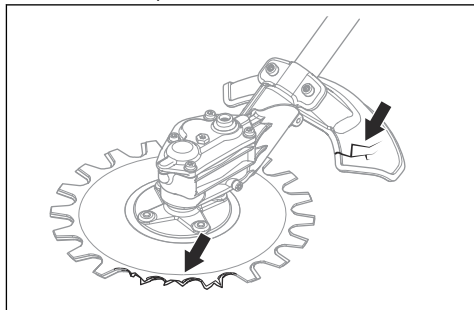
1. Спрете двигателя и се уверете, че режещото оборудване спира.
2. Ако имате продукт, който работи с бензин, извадете лулата на запалителната свещ от запалителната свещ. Ако имате продукт, работещ с акумулатор, извадете акумулатора от продукта.
3. Сложете защитни ръкавици.
4. Уверете се, че резците не са повредени. Сменете резците, ако са повредени. Вижте *За смяна на ножовете на страница 23*.
5. Проверете ножовете. Уверете се, че няма хлабина между резците. Ако има хлабина между резците, те трябва да се регулират. Вижте *За регулиране на междината между резците на страница 23*.



6. Уверете се, че сферичната опора не е повредена. Сменете сферичната опора, ако е повредена.



7. Уверете се, че винтовете на режещото оборудване са затегнати.
8. Уверете се, че резците и предпазителят на режещото оборудване не са повредени. Заменете повредените части.



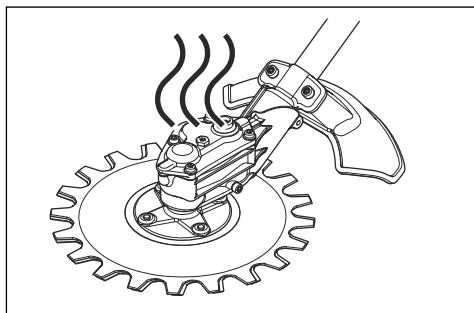
Инструкции за безопасност при техническо обслужване



ПРЕДУПРЕЖДЕНИЕ: Режещото оборудване може да продължи да се върти, след като бъде освободена газта/захранващият спусък. Ако имате продукт, който работи с бензин, извадете лулата на запалителната свещ от запалителната свещ. Ако имате продукт, работещ с акумулатор, извадете акумулатора от продукта. Уверете се, че режещото оборудване е спряло напълно, преди да пристъпите към техническото обслужване.



ПРЕДУПРЕЖДЕНИЕ: Корпусът на скоростната кутия става горещ по време на работа на продукта. Горещите повърхности могат да Ви изгорят, не докосвайте корпуса на скоростната кутия.



- Винаги носете ръкавици с висока издръжливост, когато ремонтирате режещото оборудване. Режещото оборудване е много остро и лесно може да причини порязвания.

- При ремонтите използвайте само оригинални резервни части.

ЗАПАЗЕТЕ ТЕЗИ ИНСТРУКЦИИ

Операция

Техниката на работа



ПРЕДУПРЕЖДЕНИЕ: Между предпазителя на режещото устройство и режещото оборудване могат да бъдат захванати клони или трева. Винаги спирайте двигателя/мотора, преди да пристъпите към почистване на режещото оборудване.

- Използвайте пълна газ/скорост при рязане и намалявайте оборотите до такива на празен ход след всяко рязане.

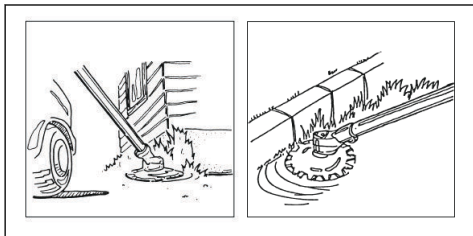


ВНИМАНИЕ: Двигателят/моторът може да се повреди, ако работи прекалено дълго време при пълна газ без натоварване.

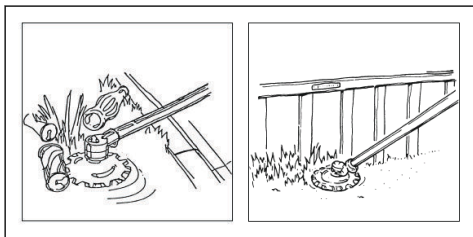
Препоръчвана употреба на режещото оборудване

Резците на режещото оборудване се движат под малък ъгъл и могат да режат във всички посоки. Движете режещото оборудване паралелно на земята на височина, при която сферичната опора докосва земята. Използвайте режещото оборудване за косене на:

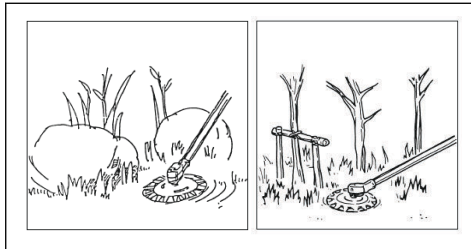
- Паркови зони и пътни банкети.



- Зони около пътища и близо до огради.



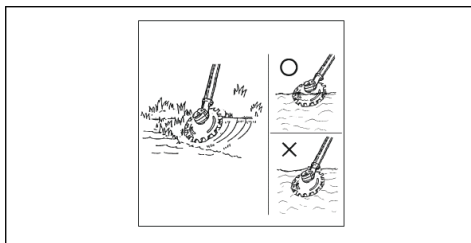
- Около камъни и дървета.



- Близо до водни площи.



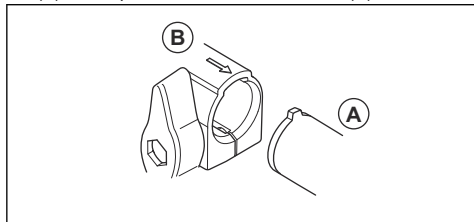
ВНИМАНИЕ: Не потапяйте корпуса на скоростната кутия във вода.



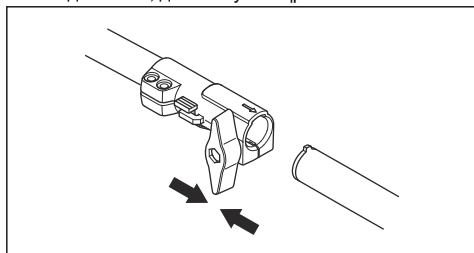
Монтаж

За да монтирате двусекционния вал

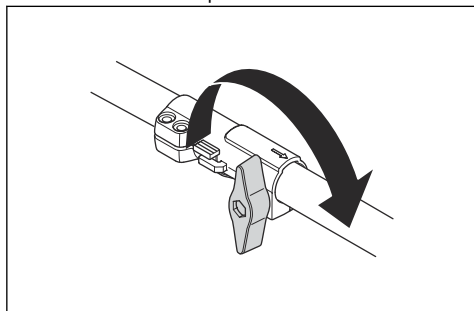
1. Завъртете фиксатора, за да разхлабите съединителя.
2. Подравнете маркера на режещото оборудване (А) със стрелката на съединението (В).



3. Внимателно натиснете двусекционния вал в съединението, докато чуete щракване.

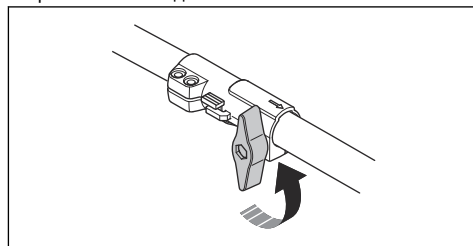


4. Затегнете напълно ръчката.

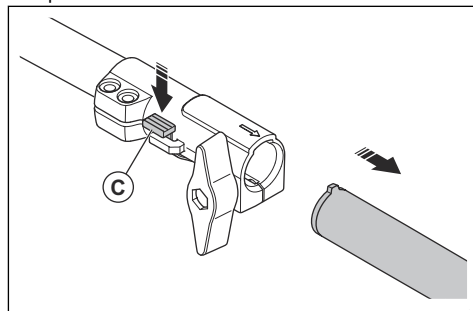


За да разглобите двусекционния вал ()

1. Завъртете фиксатора 3 оборота, за да разхлабите съединението.



2. Натиснете и задръжте бутона (С).
3. Дръжте здраво края на двусекционния вал, към който е прикрепен двигателят.
4. Издърпайте приставката от съединението в права посока.



Поддръжка

Въведение

По-долу са изложени някои общи инструкции за поддръжка. Ако ви е необходима допълнителна информация, се свържете с вашия сервиз.

График за техническо обслужване

Следва списък със стъпките на техническо обслужване, които трябва да се изпълняват за режещото оборудване.

Забележка: Операторът трябва да извършва върху режещото оборудване само техническото обслужване и сервизните работи, които са посочени в тази инструкция за експлоатация. Другото

техническо обслужване и сервизни работи трябва да се извършват от одобрен сервиз.

Поддръжка	Ежедневно	Всяка седмица	Всяки месец
Почиствайте външните части на продукта.	X		
Уверете се, че резците не са повредени. Сменете резците, ако са повредени.	X		
Уверете се, че предпазителят на режещото оборудване не е повреден. Подменете предпазителя на режещото оборудване, ако бъде повреден.	X		
Уверете се, че сферичната опора не е повредена. Сменете сферичната опора, ако е повредена.	X		
Уверете се, че всички винтове и гайки са затегнати.	X		
Пълнете корпуса на скоростната кутия с грес на около 100 работни часа.		X	

За почистване и смазване на ножовете

1. Почистете резците от нежелани материали преди и след използване на Вашия продукт.
2. Смажете резците преди дълги периоди на съхранение.

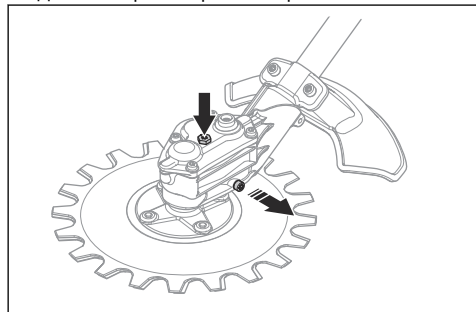
Забележка: Обърнете се към Вашия сервизен търговец за повече информация относно препоръчителните почистващи препарати и смазки.

За смазване на корпуса на скоростната кутия



ВНИМАНИЕ: Не пълнете до горе корпуса на скоростната кутия. Ако корпусът на скоростната кутия е пълен, греста може да повреди уплътненията и да предизвика теч.

1. Махнете тапите на отворите за гресиране.
2. Добавете грес в горния отвор.



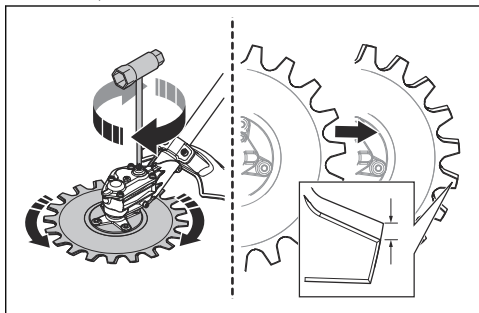
3. Поставете тапите на отворите за гресиране.

За заточване на резците

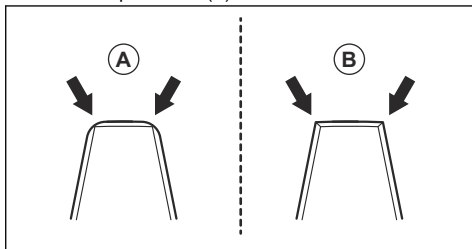


ПРЕДУПРЕЖДЕНИЕ: Носете защитни ръкавици, когато държите резците.

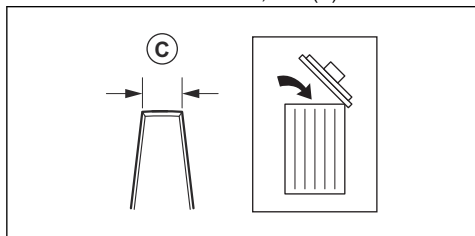
1. Поставете комбиниран гаечен ключ в гнездото на корпуса на скоростната кутия.
2. Въртете комбинирания гаечен ключ, докато разстоянието между горния и долния резец стане 3 mm/0,12 инча.



3. Заточете ръбовете (B), до които можете да достигнете с дробилка. Внимавайте да не затъпите ръбовете (A).



4. Въртете комбинирания гаечен ключ в противоположната посока, за да достигнете до отсрещните ръбове.
5. Заточете ръбовете, до които можете да достигнете с дробилка.
6. Сменете резците, когато ширината на зъбите стане по-малка от 8 mm/0,32 in (C).



За смяна на ножовете



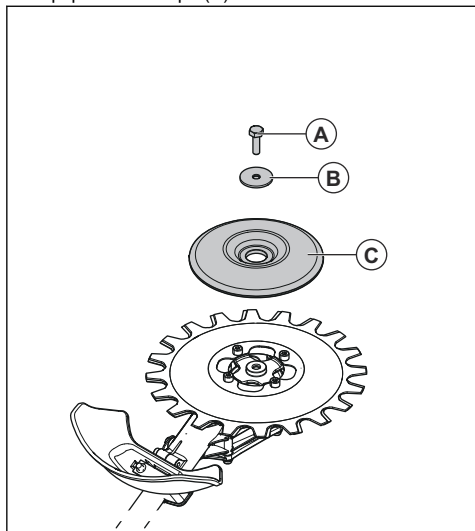
ПРЕДУПРЕЖДЕНИЕ: Носете защитни ръкавици, когато държите резците.



ПРЕДУПРЕЖДЕНИЕ: За да предотвратите дебаланса и вибрациите на продукта, почистете режещото оборудване, когато сменяте резците.

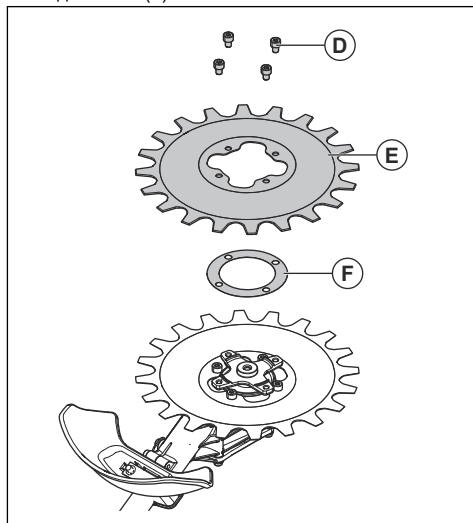
Забележка: Резците са сменяеми.

1. Махнете централния винт (A), шайбата (B) и сферичната опора (C).

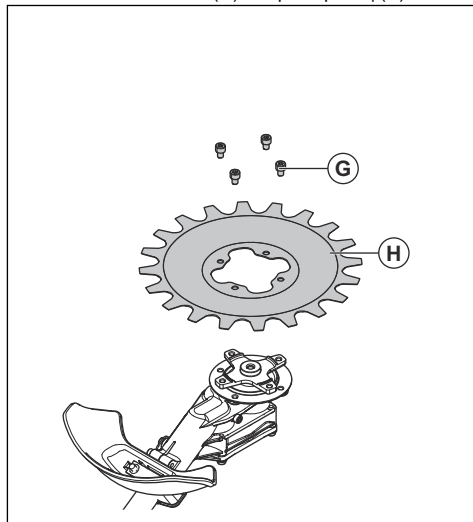


Забележка: Централният винт е с лява резба

2. Махнете 4-те винта (D), долния резец (E) и подложката (F).



3. Махнете 4-те винта (G) и горния резец (H).



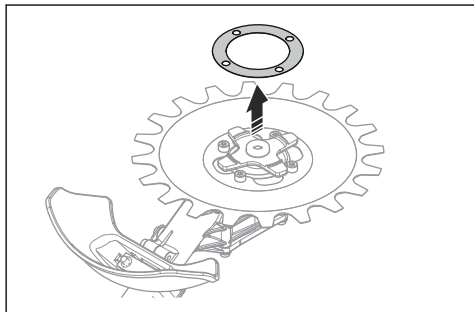
4. Монтирайте резците в обратната последователност. Когато монтирате резците, затегнете винтовете еднакво.

За регулиране на междината между резците



ПРЕДУПРЕЖДЕНИЕ: Носете защитни ръкавици, когато държите резците.

1. Махнете долния резец, направете справка с *За смяна на ножовете на страница 23*.
2. Махнете подложката.



Забележка: Пазете подложката, докато дойде време за смяна на резците.

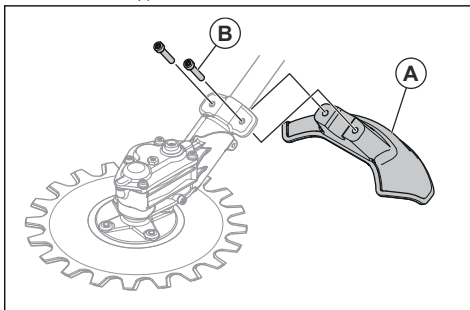
3. Монтирайте долния резец. Когато монтирате резците, затегнете винтовете еднакво.

За смяна на предпазителя на режещото оборудване



ПРЕДУПРЕЖДЕНИЕ: Носете защитни ръкавици, когато държите резците

- Махнете 2-та винта (В) и предпазителя на режещото оборудване (А).
- Монтирайте новия предпазител на режещото оборудване (А) с 2-та винта (В). Затегнете винтовете еднакво.



Транспортиране, съхранение и изхвърляне

Транспортиране и съхранение

- Уверете се, че защитата при транспортиране е закрепена правилно към режещото оборудване, когато продуктът не се използва, транспортира се или се съхранява.
- Съхранявайте режещото оборудване в заключено помещение, за да предотвратите достъпа до него от деца или лица, които не са упълномощени да го използват.

- По време на транспортиране закрепвайте безопасно режещото оборудване, за да предотвратите повреждането му и нещастни случаи.
- Преди продължително съхранение се погрижете за почистването и цялостното сервизно обслужване на режещото оборудване.

Технически данни

Технически характеристики

RA850	
Тегло	
Тегло, kg	2,5

RA850	
Шумови емисии⁴	
Ниво на звуковата мощност, измерена dB(A)	102
Ниво на звуковата мощност, гарантирано L_{WA} , dB(A)	105
Нива на шума⁵	
Еквивалентно ниво на звуковото налягане при ушите на оператора, измерено съгласно EN ISO 11806-1 и EN ISO 22868, dB(A)	
Оборудван с одобрено приспособление (оригинално)	90
Нива на вибрациите⁶	
Еквивалентни нива на вибрациите ($a_{hv,eq}$) върху ръкохватките, измерени съгласно EN ISO 11806-1 и ISO 22867, m/s^2	
Оборудван с одобрено приспособление (оригинално), ляво/дясно	3,9/4,8
Ножове	
Диаметър, mm	230
Скорост на ножовете, рязания/мин	4600

⁴ Шумови емисии в околната среда, измерени като звукова мощност (L_{WA}) в съответствие с директива на ЕО 2000/14/ЕО. Отчетените нива на шума за машината са измерени с оригиналното режещо оборудване, което дава най-високото ниво. Разликата между гарантираното и измереното ниво на шума е в това, че гарантираното ниво на шума включва също и дисперсията в резултатите от измерването, както и вариациите между различните машини от един и същи модел в съответствие с Директива 2000/14/ЕО.

⁵ Отчетените данни за еквивалентното ниво на звуковото налягане за машината имат типична статистическа дисперсия (стандартно отклонение) от 1 dB(A).

⁶ Отчетените данни за еквивалентното ниво на вибрациите имат типична статистическа дисперсия (стандартно отклонение) от 1 m/s^2 .

Декларация за съответствие на ЕО

Декларация за съответствие на ЕО

Husqvarna AB, SE-561 82 Хускварна, Швеция, тел.: +46-36-146500, удостоверява, че ресігсator attachment **Husqvarna RA850** със серийни номера от 2019 и нататък (годината е ясно обозначена върху типовата табелка, следвана от серийния номер) отговаря на изискванията в ДИРЕКТИВАТА НА СЪВЕТА:

- от 17 май 2006 г., "свързани с машини" **2006/42/ЕО**.
- от 08 юни 2011 г. "по отношение на ограничението за използване на определени опасни вещества в електрическо и електронно оборудване" **2011/65/ЕС**.
- от 8 май 2000 г., "свързани с шумовите емисии в околната среда" **2000/14/ЕО**. Оценка за съответствие съгласно приложение V. За информация относно шумовите емисии вижте раздел Технически характеристики.

Приложени са следните стандарти:

EN ISO 11806-1:2011, EN 50581:2012

RISE SMP Svensk Maskinprovning AB, Box 7035, SE-750 07 Uppsala, Sweden е извършила доброволно типово одобрение за Husqvarna AB. Сертификатите са издадени под номер: **SEC/19/2528**

Husqvarna, 2019-03-11



Per Gustafsson, мениджър „Разработки и Развитие“ (оторизиран представител на Husqvarna AB и отговорник за техническата документация)

Obsah

Úvod.....	27	Údržba.....	34
Bezpečnost.....	29	Přeprava, skladování a likvidace.....	37
Provoz.....	32	Technické údaje.....	37
Montáž.....	33	ES Prohlášení o shodě.....	39

Úvod

Zamýšlené použití



VÝSTRAHA: Sekací nástavec lze používat pouze společně s kompatibilními výrobky. Viz návod k používání výrobku.

Sekací nástavec se používá k sečení trávy a tenkých proutků.

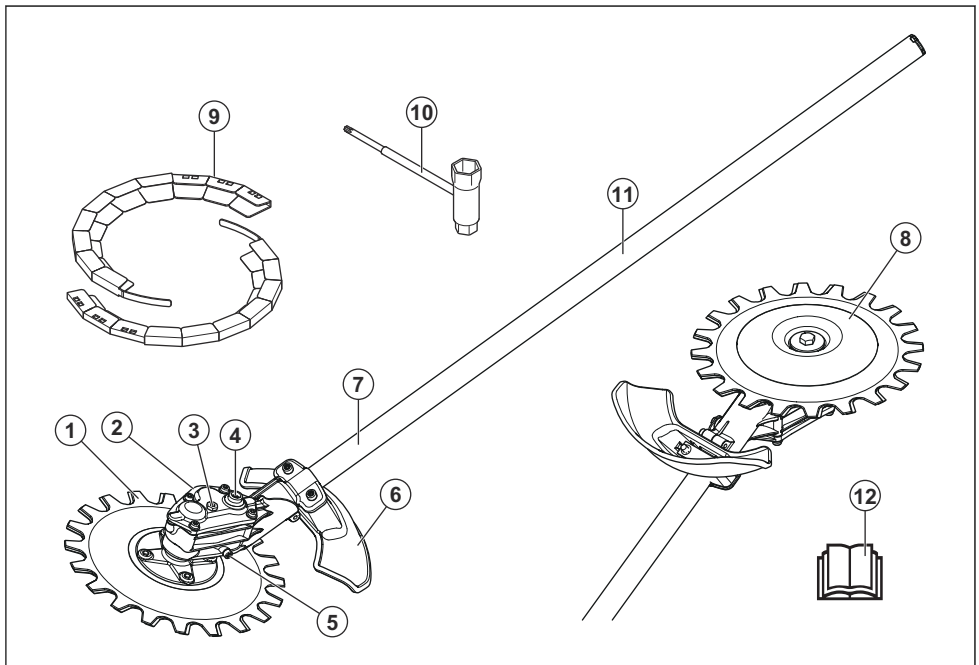
Povšimněte si: Věk pro používání výrobku může být omezen místními předpisy.

Popis výrobku

Řídíme se strategií neustálého vývoje výrobku, a proto si vyhrazujeme právo měnit konstrukci a vzhled výrobků bez předchozího upozornění.

Povšimněte si: Tento návod pokrývá pohonné jednotky poháněné benzínem i baterií.

Popis sekacího nástavce



1. Kotouč
2. Skříň převodovky
3. Horní zátka maziva
4. Objímka pro ruční pohyb kotoučů
5. Dolní zátka maziva
6. Kryt sekacího nástavce

7. Trubka hřídele
8. Opěrný talíř
9. Přepavní kryt
10. Kombinovaný klíč
11. Informační a výstražný štítek
12. Návod k používání

Symbole na nástavci a pohonné jednotce



Nepozorné nebo nesprávné používání nástavce může vést k vážnému nebo smrtelnému zranění uživatele nebo dalších osob.



Pozorně si přečtěte tento návod k používání a předtím, než nástavec začnete používat, se přesvědčte o tom, že pokynům rozumíte.



Používejte ochrannou přilbu v místech, kde hrozí pád předmětů. Vždy používejte schválenou ochranu sluchu. Vždy používejte schválenou ochranu očí.



Vždy používejte schválené ochranné rukavice.



Používejte pevnou neklouzavou obuv.



Maximální počet řezů za minutu.



Šipky znázorňují krajní polohy držadla.



Výrobek může způsobit vymrštění předmětů a následné zranění.



Během používání výrobku udržuje minimální vzdálenost 15 m (50 stop) od osob a zvířat.



Obsluha musí zajistit, aby se v okruhu menším než 15 m nevyskytovaly žádné osoby ani zvířata. Pokud pracuje několik pracovníků na stejné ploše, musí být dodržována bezpečná vzdálenost rozestupů minimálně 15 metrů. Nástavec může velkou silou odmrštit předměty, které se mohou odrazit zpět. Pokud nepoužíváte doporučené ochranné prostředky, může dojít k vážnému poranění očí.



Emise hluku do okolí dle směrnice Evropského společenství. Emise nástavce jsou uvedeny v kapitole *Technické údaje na straně 37* a na štítku.



Tento nástavec vyhovuje platným směrnícím ES.



Výrobek odpovídá příslušným směrnícím EAC.



Výrobek odpovídá příslušným směrnícím platným na Ukrajině



Výrobek odpovídá směrnici o elektromagnetické kompatibilitě platné v Austrálii a na Novém Zélandu.

yyyywwxxxx

Štítek s výrobním číslem. Údaj **yyyy** znamená rok výroby, údaj **ww** znamená týden výroby.

Povšimněte si: Další symboly/štítky na nástavci se týkají zvláštních certifikačních požadavků pro určité obchodní trhy.

EU V



VÝSTRAHA: Manipulace s motorem vede k zneplatnění typového schválení EU tohoto výrobku.

DŮLEŽITÉ BEZPEČNOSTNÍ POKYNY

Definice týkající se bezpečnosti

Varování, upozornění a poznámky slouží jako upozornění na specifické důležité části návodu k používání.



VÝSTRAHA: Používá se v případě nebezpečí úrazu nebo usmrtné obsluhy nebo okolních osob, pokud nejsou dodrženy pokyny uvedené v této příručce.



VAROVÁNÍ: Používá se v případě nebezpečí poškození výrobku nebo nástavce, dalších materiálů či škod na majetku v blízkém okolí, pokud nejsou dodrženy pokyny uvedené v této příručce.

Povšimněte si: Používá se k poskytnutí dalších informací, které jsou nezbytné v dané situaci.

Přečtěte si všechny pokyny



VÝSTRAHA: Abyste snížili riziko úrazu elektrickým proudem, nebezpečí požáru nebo zranění osob, je při používání elektrického zahradního nářadí třeba vždy dodržovat základní bezpečnostní opatření včetně následujících:

Obecné bezpečnostní pokyny



VÝSTRAHA: Před použitím nástavce si přečtěte následující bezpečnostní pokyny.

- Přečtěte si pozorně tento návod k používání a nepoužívejte nástavec, pokud mu zcela nerozumíte.
- Tyto pokyny jsou dodatkem k pokynům dodaným společně s výrobkem. U ostatních postupů se řiďte návodem k použití výrobku.
- Konstrukce nástavce nesmí být za žádných okolností upravována bez svolení výrobce. Nepoužívejte nástavec, pokud se vám zdá, že jej někdo upravil, a vždy používejte originální příslušenství. Nepovolené úpravy a/nebo příslušenství může vést k vážnému nebo smrtelnému zranění obsluhy nebo jiných osob.
- Nadměrné vystavení vibracím může u osob se zhoršenou funkcí krevního oběhu vést k poruchám oběhového nebo nervového systému. V případě, že byste pocítili příznaky obtíží způsobených nadměrným vystavením vibracím, obraťte se na svého lékaře. Mezi tyto příznaky patří strnulost končetin, ztráta citu, mravenčení, píchání, bolest, zeslábnutí, změna barvy nebo vzhledu pokožky. Tyto příznaky se obvykle objevují v prstech, na rukou nebo v zápěstí. Tyto příznaky se mohou zhoršit při nízkých teplotách.

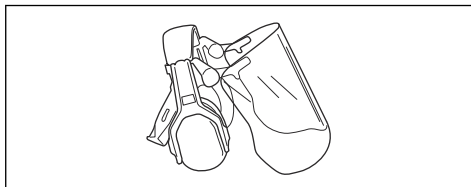
Bezpečnostní pokyny pro provoz



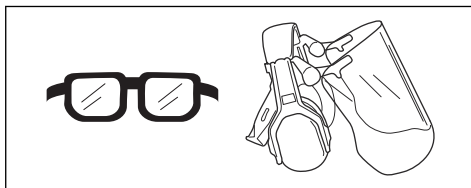
VÝSTRAHA: Před použitím výrobku si přečtěte následující varování.

- Produkt používejte pouze k činnostem uvedeným v tomto návodu. Další informace naleznete v části *Zamýšlené použití na strani 27*.
- Výrobek nepoužívejte, pokud si nejste jisti, že jej dokážete ovládat.
- Nepoužívejte produkt, jste-li unavení, nemocní nebo pod vlivem alkoholu, drog nebo léků. To může negativně ovlivnit váš zrak, úsudek a koordinaci pohybů.
- Pokud by vám v případě nehody neměl kdo pomoci, výrobek nepoužívejte.
- Nepoužívejte produkt, pokud vykazuje známky poškození.
- Přesvědčte se, že se sekací nástavec vždy zastaví, když motor běží na volnoběh.
- Při práci zajistěte, aby se k vám nikdo nepřiblížil na méně než 15 m (50 stop). Zajistěte, aby se v pracovní oblasti vyskytovaly pouze oprávněné osoby.
- Nedovolte dětem používat produkt a pohybovat se v jeho blízkosti.
- Udržujte pracovní oblast čistou a dostatečně osvětlenou. Nepoužívejte výrobek za nepříznivého počasí, např. za mlhy, prudkého deště, silného větru, velmi nízkých teplot a bouřky.
- Pokud se během provozu v kotoučích zachytí nějaký předmět, vypněte motor a počkejte, dokud se kotouče nezastaví. Ze zapalovací svíčky vyjměte koncovku kabelu zapalovací svíčky nebo vyjměte baterii. Vložte kombinovaný klíč do objímky převodové skříně, aby bylo možné pohybovat kotouči, viz část *Ostření kotoučů na strani 35*.
- Pokud dojde během provozu k poškození kotoučů, může dojít k vzájemnému zachycení horního a dolního kotouče. Nedotýkejte se kotoučů. Mohly by se náhle uvést do pohybu a způsobit zranění.
- Při práci udržujte bezpečnou a stabilní polohu.

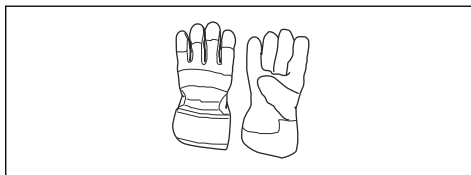
- Výrobek může odmrštit předměty vysokou rychlostí. Zajistěte, aby všechny osoby v pracovní oblasti používaly schválené osobní ochranné prostředky. Odstraňte volné předměty z pracovní oblasti.
- Když používáte ochranu sluchu, sledujte pozorně pracovní oblast. Po vypnutí motoru vždy sundejte ochranu sluchu.
- Pokud zaznamenáte neobvyklé vibrace výrobku, vypněte motor. Používáte-li výrobek poháněný benzínem, odpojte koncovku kabelu zapalovací svíčky od zapalovací svíčky. Pokud máte výrobek poháněný baterií, vyjměte baterii. Okamžitě vyšetřete příčinu. Vibrace zpravidla fungují jako varování před poškozením výrobku.
- Neodcházejte od výrobku, když je spuštěný motor.
- Výrobek držte pevně oběma rukama. Výrobek držte po své pravé straně. Při práci s výrobkem udržujte sekací nástavec pod úrovní pasu.



- Vždy používejte schválenou ochranu očí. Použijete-li štít, je nutno použít i schválené ochranné brýle. Schválené ochranné brýle musí být v souladu s normou ANSI Z87.1 v USA nebo EN 166 v zemích EU.



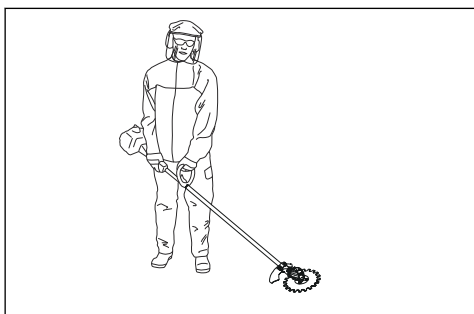
- Při určitých činnostech používejte rukavice, například při kontrole nebo čištění výrobku.



- Používejte ochrannou obuv s protiskluzovými podrážkami.



- Noste oblečení vyrobené z pevné tkaniny. Vždy používejte silné, dlouhé kalhoty a dlouhé rukávy. Nepoužívejte volné oblečení, které se může zachytit o keře nebo větve. Nenoste šperky, krátké kalhoty



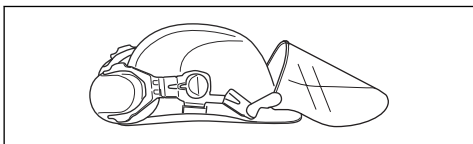
- Sekací nástavec musí pracovat v bezpečné vzdálenosti od obsluhy. Při sekání ve směru obsluhy může dojít k vážnému zranění.
- Vaše ruce ani nohy se nesmí přiblížit ke kotoučům, když je motor v chodu.

Osobní ochranné prostředky



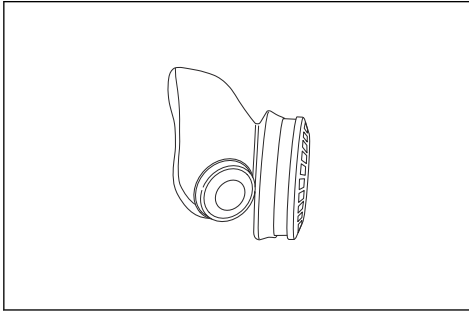
VÝSTRAHA: Před použitím výrobku si přečtete následující varování.

- Při použití výrobku je nutné vždy používat schválené osobní ochranné prostředky. Osobní ochranné prostředky nemohou zcela eliminovat nebezpečí úrazu, ale v případě nehody pomáhají snížit míru poranění. Požádejte prodejce, aby vám pomohl vybrat správné vybavení.
- Používejte ochrannou přilbu tam, kde hrozí nebezpečí padajících předmětů.

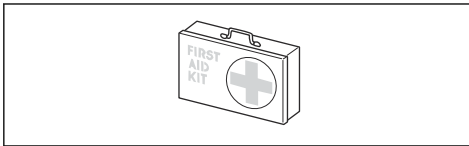


nebo otevřenou obuv a nepracujte naboso. Stáhněte si vlasy bezpečně nahoru nad úroveň ramen.

- Pokud hrozí nebezpečí vdechování prachu, používejte ochranu dýchacích cest.



- Mějte při ruce lékárníčku.



Bezpečnostní zařízení na nástavci



VÝSTRAHA: Před použitím nástavce si přečtěte následující varování.

V této části jsou popsány bezpečnostní funkce nástavce, jeho účel a způsob provádění kontroly a údržby k zajištění správného provozu. Umístění těchto součástí na nástavci naleznete v pokynech v části *Popis sekacího nástavce na strani 27*.

Životnost nástavce se může zkracovat a nebezpečí nehod zvyšovat, jestliže se údržba nástavce neprovádí správně nebo se opravy neprovádějí odborně. Pokud potřebujete další informace, obraťte se na nejbližšího servisního prodejce.



VÝSTRAHA: Nástavec nikdy nepoužívejte s vadnými bezpečnostními součástmi. Kontrolu a údržbu bezpečnostního vybavení nástavce je nutno provádět podle postupů uvedených v této části. V případě, že by nástavec nevyhověl při jakékoli z těchto kontrol, je nutno vyhledat autorizované servisní středisko a nechat závadu odstranit.



VÝSTRAHA: Veškerý servis a opravy produktu vyžadují speciální odborné školení. To se týká především servisu a oprav bezpečnostního vybavení produktu. V případě, že by produkt nevyhověl při některé z níže popsaných kontrol, je nutno vyhledat servisní opravnu. Každému

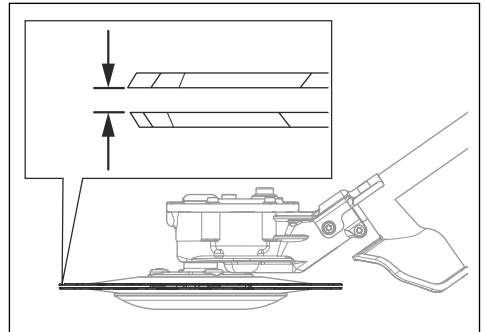
zákazníkovi, který zakoupí kterýkoli z našich výrobků, zaručujeme dostupnost profesionálních oprav a servisních prací. Pokud prodejce, který vám produkt prodal, neposkytuje servis, požádejte jej o adresu naší nejbližší servisní opravny.

Kontrola sekacího nástavce a krytu sekacího nástavce

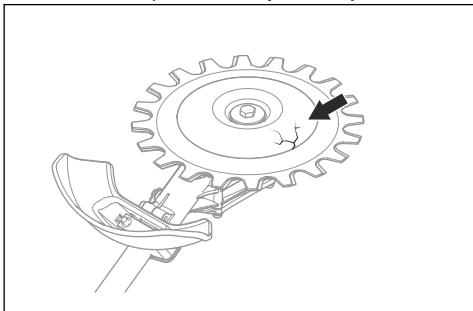


VÝSTRAHA: Nikdy nepracujte se sekacím nástavcem, pokud není opatřen schváleným krytem sekacího nástavce. Instalace nesprávného nebo vadného krytu sekacího nástavce může vést k zranění.

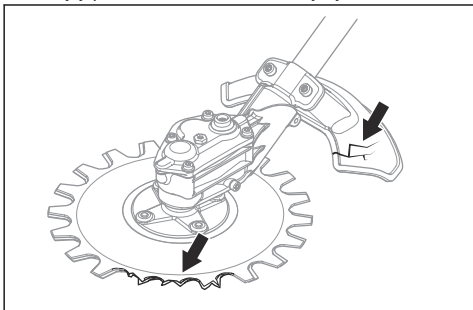
1. Vypněte motor a přesvědčte se, že se sekací nástavec zastavil.
2. Používáte-li výrobek poháněný benzinem, odpojte koncovku kabelu zapalovací svíčky od zapalovací svíčky. Pokud máte výrobek poháněný baterií, vyjměte z výrobku baterii.
3. Používejte ochranné rukavice.
4. Zkontrolujte, zda nejsou kotouče poškozené. Ohnuté nebo poškozené kotouče vyměňte. Další informace naleznete v části *Výměna kotoučů na strani 35*.
5. Zkontrolujte kotouče. Zkontrolujte, zda není mezi kotouči vůle. Pokud je mezi kotouči vůle, je třeba kotouče seřídit. Další informace naleznete v části *Seřízení vůle mezi kotouči na strani 36*.



6. Zkontrolujte, zda není opěrná miska poškozená. Poškozenou opěrnou miskou je nutné vyměnit.



7. Zkontrolujte, zda jsou šrouby na sekacím nástavci dotažené.
8. Dbejte na to, aby kotouče a kryt sekacího nástavce nebyly poškozené. Poškozené díly vyměňte.



Bezpečnostní pokyny pro údržbu



VÝSTRAHA: Sekací nástavec se může po uvolnění plynu/páčky spínače nadále otáčet.

Provoz

Technika práce



VÝSTRAHA: Mezi krytem sekacího nástavce a sekacím nástavcem se mohou zachytit větve nebo tráva. Než sekací nástavec začnete čistit, vždy vypněte motor.

- Při sečení používejte plný plyn/otáčky a po každém záběru snižte otáčky na volnoběžné.

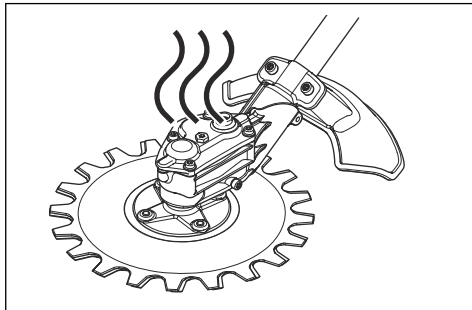


VAROVÁNÍ: Pokud motor běží příliš dlouho na plný plyn bez zatížení, může dojít k jeho poškození.

Používáte-li výrobek poháněný benzínem, odpojte koncovku kabelu zapalovací svíčky od zapalovací svíčky. Pokud máte výrobek poháněný baterií, vyjměte z výrobku baterii. Před prováděním údržby se ujistěte, že se sekací nástavec zcela zastavil.



VÝSTRAHA: Skříň převodovky se během provozu výrobku zahřívá. Horké povrchy mohou způsobit popáleniny. Nedotýkejte se krytu převodovky.



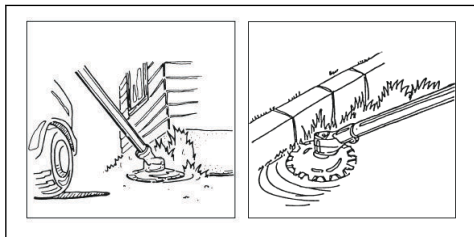
- Při opravách sekacího nástavce vždy používejte odolné ochranné rukavice. Sekací zařízení je mimořádně ostré a může snadno způsobit pořezání.
- Při opravách používejte pouze originální náhradní díly.

TYTO POKYNY SI USCHOVEJTE

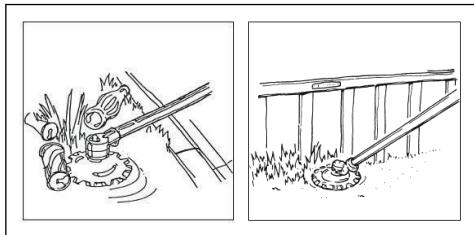
Doporučené použití sekacího nástavce

Kotouče sekacího nástavce se pohybují pod malým úhlem a mohou sekat ve všech směrech. Pohybujte sekacím nástavcem nad zemí ve výšce, kde se opěrná miska dotýká země. Používejte sekací nástavec k sečení oblastí jako jsou:

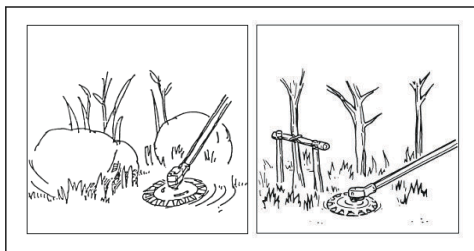
- Parky a okraje cest.



- Krajnice cest a místa v blízkosti plotů.



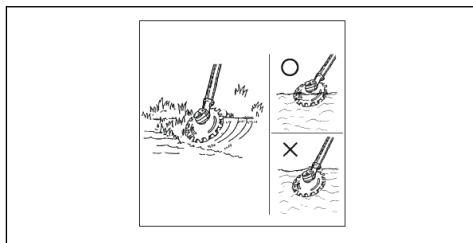
- Kolem kamenů a stromů.



- Blízko vody.



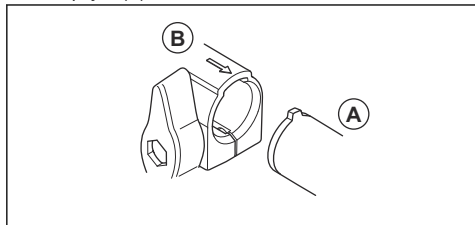
VAROVÁNÍ: Do skříně převodovky se nesmí dostat voda.



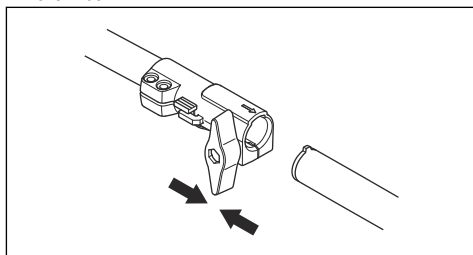
Montáž

Sestavení dvoudílného hřídele

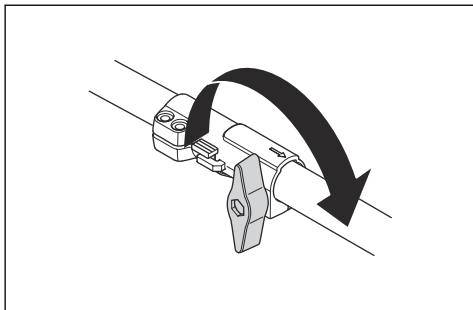
1. Otáčením knoflíku povolte spojku.
2. Vyrovnajte zarážku řezacího nástavce (A) se šipkou na spojce (B).



3. Opatrně zatlačte hřídel do spojky, dokud neuslyšíte cvaknutí.

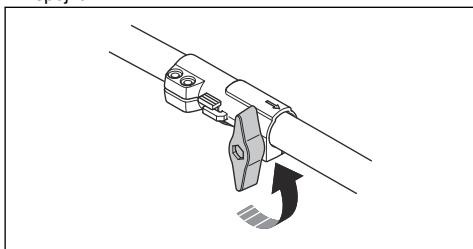


4. Řádně dotáhněte knoflík.



Demontáž dvoudílného hřídele

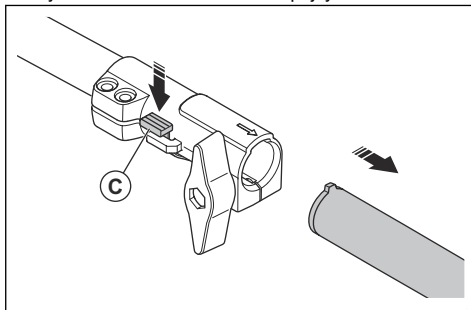
1. Otočením knoflíku o 3 otáčky nebo více povolte spojku.



2. Stiskněte a podržte tlačítko (C).

3. Pevně přidržte konec hřídele, ke kterému je připojen motor.

4. Vytáhněte nástavec rovně ze spojky.



Údržba

Úvod

V následujících odstavcích najdete některé pokyny k provádění obecné údržby. Pokud potřebujete další informace, spojte se se servisem.

Plán údržby

Níže je uveden seznam kroků údržby, které se musí provést na sekacím nástavci.

Povšimněte si: Obsluha smí provádět na sekacím zařízení pouze kroky údržby a servisu, které jsou uvedeny v tomto návodu k používání. Ostatní údržbu a servis musí provádět schválená servisní dílna.

Údržba	Denně	Týdně	Měsíčně
Vyčistěte vnější povrch výrobku.	X		
Zkontrolujte, zda nejsou kotouče poškozené. Ohnuté nebo poškozené kotouče vyměňte.	X		
Zkontrolujte, zda není kryt sekacího nástavce poškozený. Poškozený kryt sekacího nástavce je nutné vyměnit.	X		
Zkontrolujte, zda není opěrná miska poškozená. Poškozenou opěrnou misku je nutné vyměnit.	X		
Zkontrolujte, zda jsou šrouby a matice dotažené.	X		
Doplňte do skříně převodovky mazivo přibližně po každých 100 hodinách provozu.		X	

Čištění a mazání nožů

1. Před a po použití výrobku odstraňte z nožů nežádoucí materiály.
2. Před dlouhodobým uložením namažte nože.

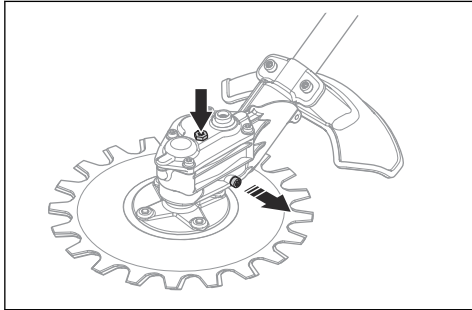
Povšimněte si: Další informace o doporučených čisticích prostředcích a mazivu získáte u svého servisního prodejce.

Promazání skříně převodovky



VAROVÁNÍ: Skříně převodovky neplňte naplno. Pokud je skříně převodovky plná, může mazivo poškodit těsnění a způsobit netěsnost.

1. Demontujte zátky maziva.
2. Doplňte mazivo do horního otvoru.



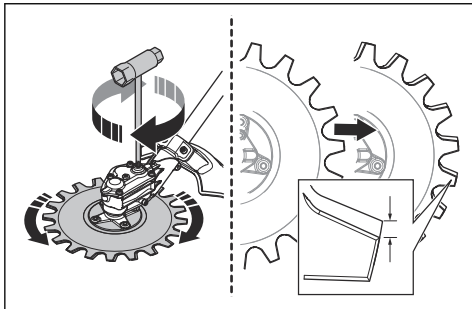
3. Namontujte zpět zátku maziva.

Ostření kotoučů

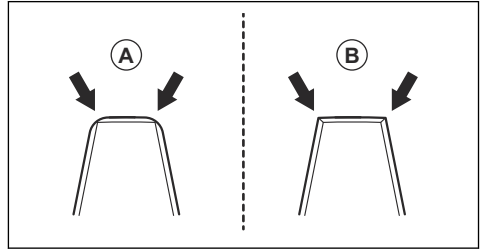


VÝSTRAHA: Při manipulaci s kotouči používejte ochranné rukavice.

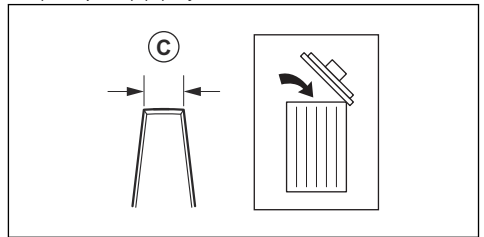
1. Vložte kombinovaný klíč do objímky na skříně převodovky.
2. Otáčejte kombinovaným klíčem, dokud nebude mezi horním a dolním kotoučem rozdíl 3 mm (0,12 palce).



3. Naostřete přístupné hrany (B) pomocí brusky. Dbejte na to, aby nebyly hrany zaoblené (A).



4. Otáčejte kombinovaným klíčem v opačném směru, abyste získali přístup k protilehlým hranám.
5. Naostřete přístupné hrany pomocí brusky.
6. Pokud je šířka zubu menší než 8 mm (0,32 palce) (C), vyměňte kotouče.



Výměna kotoučů



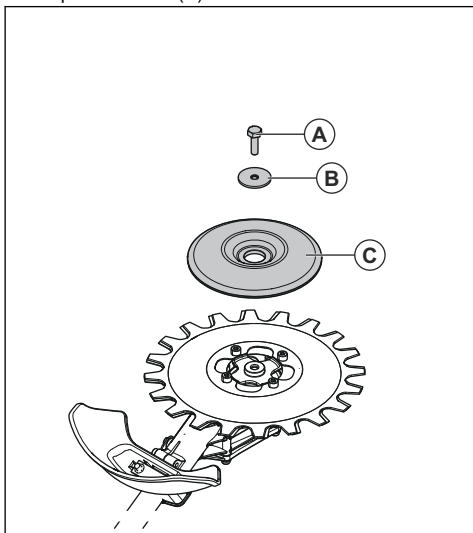
VÝSTRAHA: Při manipulaci s kotouči používejte ochranné rukavice.



VÝSTRAHA: Aby se zabránilo nevyvážení a vibracím ve výrobku, vyčistěte po výměně kotoučů sekací nástavec.

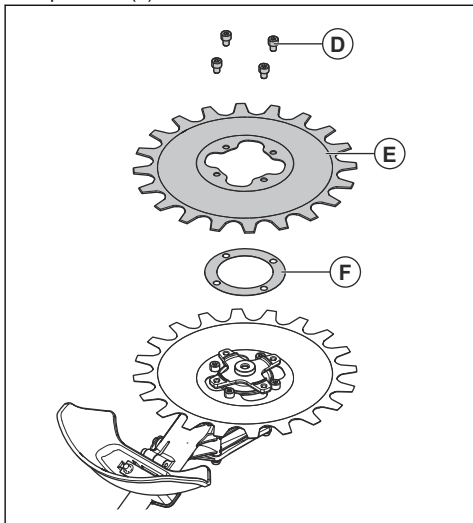
Povšimněte si: Kotouče jsou vyměnitelné.

1. Demontujte středový šroub (A), podložku (B) a opěrnou misku (C).

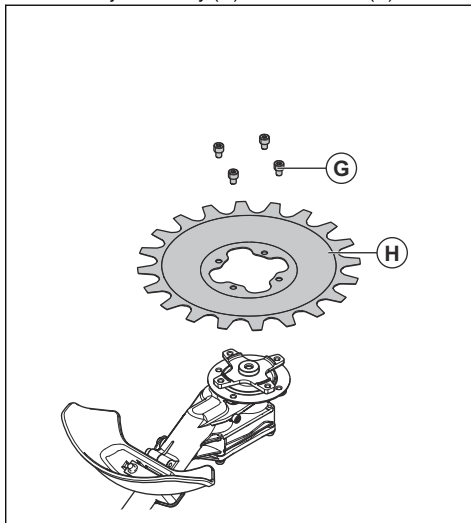


Povšimněte si: Středový šroub má levotočivý závit.

2. Demontujte 4 šrouby (D), dolní kotouč (E) a podložku (F).



3. Demontujte 4 šrouby (G) a horní kotouč (H).



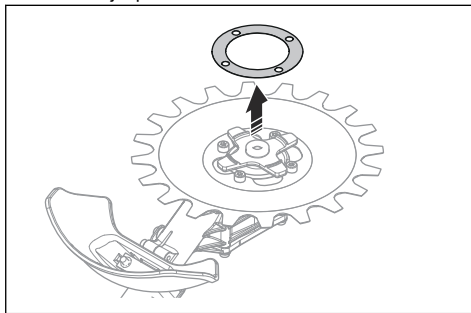
4. Montáž kotoučů proveďte v opačném pořadí. Při montáži kotoučů dotáhněte šrouby rovnoměrně.

Seřízení vůle mezi kotouči



VÝSTRAHA: Při manipulaci s kotouči používejte ochranné rukavice.

1. Demontujte dolní kotouč, viz část *Výměna kotoučů na strani 35*.
2. Demontujte podložku.



Povšimněte si: Uschovejte podložku do doby, kdy bude nutné vyměnit kotouče.

3. Namontujte dolní kotouč. Při montáži kotoučů dotáhněte šrouby rovnoměrně.

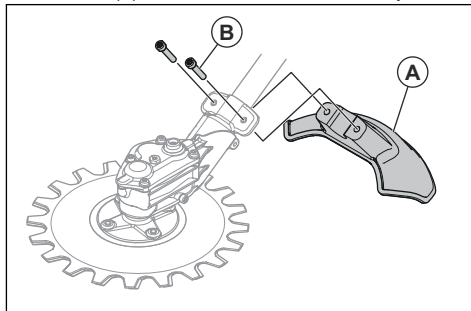
Výměna krytu sekacího nástavce



VÝSTRAHA: Při manipulaci s kotouči používejte ochranné rukavice.

- Demontujte 2 šrouby (B) a kryt sekacího nástavce (A).

- Namontujte nový kryt sekacího nástavce (A) pomocí 2 šroubů (B). Rovnoměrně dotáhněte šrouby.



Přeprava, skladování a likvidace

Přeprava a skladování

- Pokud se výrobek nepoužívá, je přepravován nebo skladován, musí být přepravní kryt správně připevněn k sekacímu nástavci.
- Skladujte sekací nástavec na uzamčeném místě, aby se zamezilo přístupu dětí a neoprávněných osob.

- Před přepravou bezpečně upevněte sekací nástavec, aby se zabránilo poškození a nehodám.
- Před dlouhodobým uskladněním je nutné sekací nástavec vyčistit a provést úplnou údržbu.

Technické údaje

Technické údaje

RA850	
Hmotnost	
Hmotnost, kg	2,5
Emise hluku⁷	
Hladina akustického výkonu, změřená dB (A)	102
Hladina akustického výkonu, zaručená L _{WA} , dB (A)	105
Hladiny hluku⁸	
Ekvivalentní hladina akustického tlaku v úrovni uší obsluhy, měřená podle norem EN ISO 11806-1 a EN ISO 22868, dB (A)	
Vybaven schváleným příslušenstvím (originální)	90

⁷ Emise hluku v životním prostředí měřené jako akustický výkon (L_{WA}) v souladu se směnicí 2000/14/EU. Uváděná hladina akustického výkonu pro stroj byla měřena s originálním sekacím nástavcem, který generuje nejvyšší hladinu. Rozdíl mezi garantovaným a měřeným akustickým výkonem je v tom, že garantovaný akustický výkon rovněž zahrnuje rozptýl výsledků měření a rozdíly mezi různými stroji téhož modelu podle Směrnice 2000/14/ES.

⁸ Uváděná data pro ekvivalentní hladinu akustického tlaku pro stroj mají typickou statistickou odchylku (standardní odchylku) 1 dB (A).

RA850	
Úroveň vibrací⁹	
Ekvivalentní hladiny vibrací ($a_{Hv,eq}$) v rukojetích, měřené podle norem EN ISO 11806-1 a ISO 22867, v m/s^2	
Vybaven schváleným příslušenstvím (originální), levé/pravé	3,9/4,8
Kotouče	
Průměr, mm	230
Rychlost kotoučů, řezů/min	4600

⁹ Uváděná data pro ekvivalentní hladinu vibrací mají typickou statistickou odchylku (standardní odchylku) 1 m/s^2 .

ES Prohlášení o shodě

ES Prohlášení o shodě

Husqvarna AB, SE-561 82 Huskvarna, Švédsko, tel:
+46--36--146500, prohlašuje, že reciprocator attachment

Husqvarna RA850 se sériovými čísly od roku 2019
a dále (rok je zřetelně vyznačen v textu na typovém
štítku a za ním následuje sériové číslo) vyhovuje
požadavkům následujících SMĚRNIC RADY
EVROPSKÉ UNIE:

- ze 17. května 2006 „týkající se strojních
zařízení“ **2006/42/ES**.
- ze dne 8. června 2011 „o omezení používání
některých nebezpečných látek v elektrických a
elektronických zařízeních“ **2011/65/EU**.
- z 8. května 2000 „týkající se emisí hluku v okolním
prostředí“ **2000/14/ES**. Postup posouzení shody byl
použit v souladu s přílohou V. Informace o emisích
hluku najdete v kapitole „Technické údaje“.

Byly uplatněny následující normy:

EN ISO 11806-1:2011, EN 50581:2012

Společnost RISE SMP Svensk Maskinprovning AB, Box
7035, SE-750 07 Uppsala, Sweden provedla
dobrovolnou typovou zkoušku pro společnost
Husqvarna AB Certifikáty mají tato čísla: **SEC/19/2528**

Huskvarna, 2019-03-11



Per Gustafsson, ředitel vývoje (Autorizovaný zástupce
společnosti Husqvarna AB a odpovědný za technickou
dokumentaci)

Indhold

Indledning.....	40	Vedligeholdelse.....	47
Sikkerhed.....	42	Transport, opbevaring og bortskaffelse.....	50
Drift.....	45	Tekniske data.....	50
Montering.....	46	EU-overensstemmelseserklæring.....	51

Indledning

Anvendelsesformål



ADVARSEL: Skæreudstyret må kun bruges sammen med kompatible produkter. Se brugsanvisningen til produktet.

Skæreudstyret bruges til at klippe græs og kviste.

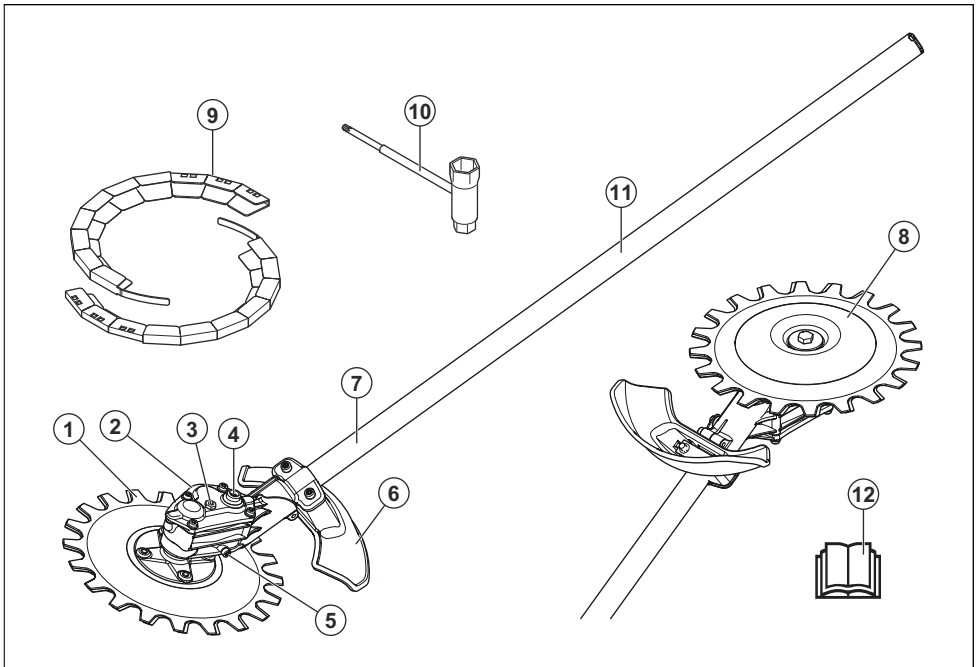
Bemærk: National lovgivning kan definere begrænsninger på betjeningen af produktet.

Produktbeskrivelse

Vi forsøger hele tiden at videreudvikle vores produkter og forbeholder os derfor ret til ændringer af bl.a. form og udseende af produkterne uden forudgående varsel.

Bemærk: Brugsanvisningen omhandler både benzin- og batteridrevne strømenheder.

Oversigt over skæreudstyr



1. Kniv
2. Gearhus
3. Øverste prop til fedtsmøring
4. Fatning til at flytte knivene manuelt
5. Nederste prop til fedtsmøring
6. Beskyttelse til skæreudstyr
7. Aksel
8. Støttekop

9. Transportbeskyttelse
10. Ring- og gaffelnøgle
11. Informations- og advarselmærkat
12. Brugsanvisning

Symboler på udstyret og strømenheden



Skødesløs eller forkert brug af dette produkt kan resultere i alvorlige skader eller medføre døden for brugeren eller andre.



Læs brugsanvisningen, og sørg for at have forstået indholdet, inden du bruger udstyret.



Brug en beskyttelseshjelm på steder, hvor du kan få genstande i hovedet. Brug godkendt høreværn. Brug godkendt øjenværn.



Brug altid godkendte beskyttelseshandsker.



Brug skridsikre og stabile støvler.



Maks. antal snit i minuttet.



Pilene viser grænserne for håndtagets position.



Produktet kan forårsage, at genstande slynges ud, hvilket kan forårsage personskade.



Hold en afstand på mindst 15 m/50 fod til personer og dyr under brug af produktet.



Føreren skal sørge for, at ingen personer eller dyr kommer nærmere end 15 meter. Når flere førere arbejder på det samme sted, skal sikkerhedsafstanden være mindst 15 meter. Udstyret kan kaste genstande af sted med voldsom kraft, og disse genstande kan slå tilbage. Dette kan medføre alvorlige øjenskader, hvis du ikke anvender det anbefalede beskyttelsesudstyr.



Støjemissioner til omgivelserne i henhold til EF-direktiv. Udstyrets emission fremgår af kapitlet *Tekniske data på side 50* og af mærkaten.



Dette udstyr er i overensstemmelse med gældende CE-direktiver.



Produktet er i overensstemmelse med gældende EAC-direktiver.



Produktet er i overensstemmelse med gældende ukrainske direktiver



Dette produkt er i overensstemmelse med gældende australske og newzealandske bestemmelser vedrørende elektromagnetisk kompatibilitet.

yyyywwxxxx

Typeskiltet viser serienummeret. åååå er produktionsåret, og uu er produktionsugen.

Bemærk: Andre symboler/etiketter på skæreudstyret refererer til specifikke krav for certificering på visse markeder.

EU V



ADVARSEL: Ved manipulation af motoren bortfalder EU-typegodkendelsen af dette produkt.

VIGTIGE SIKKERHEDSINSTRUKTIONER

Sikkerhedsdefinitioner

Advarsler, forholdsregler og bemærkninger bruges til at pege på særligt vigtige dele af brugsanvisningen.



ADVARSEL: Bruges, hvis føreren udsætter sig selv eller omkringstående personer for risiko for personskade eller dødsfald ved tilsidesættelse af instruktionerne i brugsanvisningen.



BEMÆRK: Bruges, hvis der er risiko for skader på produktet og/eller tilbehør, andre materialer eller det omgivende område ved tilsidesættelse af instruktionerne i brugsanvisningen.

Bemærk: Bruges til at give yderligere oplysninger, der er nødvendige i en given situation.

Læs alle instruktioner



ADVARSEL: Ved brug af elektriske haveredskaber skal de grundlæggende sikkerhedsforanstaltninger følges for at nedsætte risikoen for brand, elektrisk skade og personskader, herunder følgende:

Generelle sikkerhedsinstruktioner



ADVARSEL: Læs de medfølgende advarselsinstruktioner, inden du bruger skæreudstyret.

- Læs brugsanvisningen omhyggeligt igennem, og sørg for at have forstået indholdet, inden du bruger produktet.
- Denne vejledning supplerer den vejledning, der var inkluderet med produktet. Oplysninger om andre procedurer fås i betjeningsvejledningen til din plæneklipper.
- Produktets oprindelige udformning må under ingen omstændigheder ændres uden producentens samtykke. Brug ikke et produkt, der ser ud til at være blevet ændret af andre, og brug altid originalt tilbehør. Ikke-autoriserede ændringer og/eller ikke-godkendt tilbehør kan medføre alvorlige skader eller døden for brugeren eller andre.

- Overeksponering af vibrationer kan medføre kredsløbsforstyrrelser eller skader på nervesystemet hos personer med kredsløbsforstyrrelser. Hvis du oplever fysiske symptomer, som kan relateres til overeksponering af vibrationer, skal du straks søge læge. Eksempler på sådanne symptomer er følelsesløshed, manglende følesans, kildren, stikken, smerte, manglende eller reduceret styrke i forhold til normalt, forandringer i hudens farve eller i dens overflade. Disse symptomer opleves almindeligvis i fingre, hænder eller håndled. Symptomerne kan forværres i koldt vejr.

Sikkerhedsinstruktioner for drift



ADVARSEL: Læs følgende advarselsinstruktioner, inden du bruger produktet.

- Brug kun produktet til de opgaver, der angives i denne vejledning. Se *Anvendelsesformål på side 40*.
- Brug ikke produktet, hvis du ikke er sikker på, om du kan betjene det.
- Brug aldrig produktet, hvis du er træt, syg eller har indtaget alkohol, narkotika eller medicin. Det kan reducere dit syn, din dømmekraft eller din koordinationssevne.
- Brug ikke produktet, hvis du ikke kan få hjælp i tilfælde af en ulykke.
- Brug ikke produktet, hvis der er tegn på skader.
- Sørg for, at skæreudstyret altid stopper, når motoren kører i tomgang.
- Sørg for, at personer ikke kommer tættere på end 15 m / 50 ft, når du skærer. Sørg for, at kun autoriserede personer befinder sig i arbejdsområdet.
- Lad ikke børn bruge eller være i nærheden af produktet.
- Hold arbejdsområdet rent og oplyst. Produktet må ikke anvendes i dårligt vejr, f.eks. tåge, kraftig regn, hård vind, stærk kulde eller ved risiko for lynnedslag.
- Hvis noget sætter sig fast i knivene under drift, skal du standses motoren, og vente, indtil knivene ikke længere bevæger sig. Fjern tændhætten fra tændrøret/afmonter batteriet. Sæt ring- og gaffelnøglen i gearhusets fatning for at flytte knivene, se *Sådan skærpes knivene på side 48*.
- Hvis knivene beskadiges under drift, kan den øverste og nederste kniv sættes sig fast i hinanden. Undgå at berøre knivene, da de kan bevæge sig pludseligt og forårsage personskade.
- Sørg for at stå i en stabil og sikker stilling under brug.
- Produktet kan forårsage udkastning af genstande med høj fart. Sørg for, at alle personer i arbejdsområdet bruger godkendt personligt

beskyttelsesudstyr. Fjern løse genstande fra arbejdsområdet.

- Hold øje med området, når du bruger høreværn. Tag altid høreværnet af, når motoren standser.
- Hvis produktet vibrerer usædvanligt, standses motoren. Hvis du har et benzindrevet produkt, skal du tage tændhætten af tændrøret. Hvis du har et batteridrevet produkt, skal du fjerne batteriet. Kontrollér årsagen med det samme. Vibrationer er typisk en advarsel om skade.
- Du må ikke gå væk fra produktet, når motoren er tændt.
- Hold produktet med begge hænder. Hold produktet på højre side af kroppen. Betjen produktet med skæredestyret under bælttestedet.



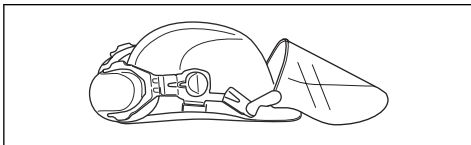
- Skæredestyret skal skære i retning væk fra føreren. Hvis der skæres i retning mod føreren, kan det forårsage alvorlig personskade.
- Sørg for, at hænder og fødder ikke kommer i nærheden af knivene, når motoren er tændt.

Personligt beskyttelsesudstyr



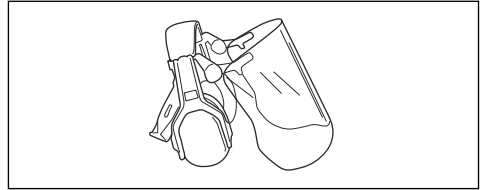
ADVARSEL: Læs følgende advarselsinstruktioner, inden du bruger produktet.

- Brug godkendt personligt beskyttelsesudstyr, når du bruger produktet. Personligt beskyttelsesudstyr udelukker ikke fuldstændigt risikoen for personskader, men det mindsker graden af skaderne i tilfælde af, at der skulle ske en ulykke. Lad forhandleren hjælpe dig med at vælge det rigtige udstyr.
- Brug en sikkerhedshjelm, hvor der er risiko for nedfaldende genstande.

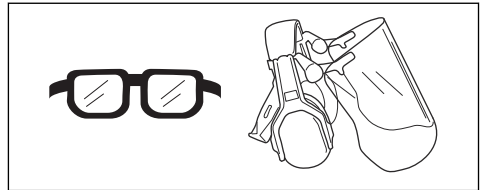


- Langvarig eksponering for støj kan medføre høreskader. Batteridrevne produkter er generelt relativt støjsvage, men der kan opstå skader som

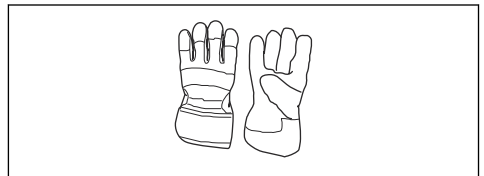
følge af en kombination af støjniveau og lang tids anvendelse. Husqvarna anbefaler, at operatører anvender høreværn ved brug af produkter i længere, sammenhængende tid om dagen. Brugere, der anvender produkterne kontinuerligt og jævnligt, bør regelmæssigt få hørelsen kontrolleret. Bemærk, at høreværn nedsætter evnen til at høre lyde og advarselssignaler.



- Brug godkendt øjenværn. Hvis du bruger et ansigtsværn, skal du også bruge godkendte beskyttelsesbriller. Godkendte beskyttelsesbriller skal overholde den amerikanske standard ANSI Z87.1 eller EU-standardEN 166.



- Brug om nødvendigt beskytteshandsker, f.eks. ved eftersyn eller rengøring af produktet.

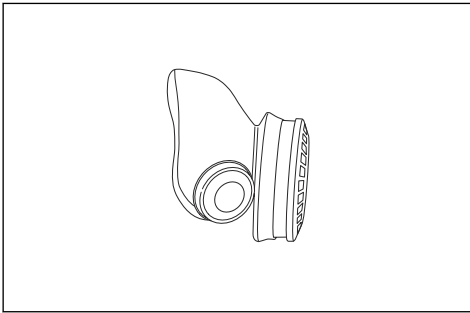


- Brug beskyttelsesstøvler eller -sko med skridsikre såler.



- Brug beklædning, der er lavet af et stærkt materiale. Brug altid kraftige lange bukser og lange ærmer. Brug ikke løstsiddende tøj, som kan sætte sig fast i buske og grene. Undgå smykker, shorts og åbne sko, og gå ikke barfodet. Sæt håret op i en sikker højde, dvs. over skulderen.

- Brug åndedrætsværn, når der er risiko for støv.



- Sørg for at have førstehjælpsudstyr ved hånden.



Sikkerhedsanordninger på skæreudstyret.



ADVARSEL: Læs advarselsinstruktionerne, inden du bruger skæreudstyret.

I dette afsnit forklares mere om skæreudstyrets sikkerhedsfunktioner og formål, samt hvordan kontrol og vedligeholdelse skal udføres for at sikre, at det fungerer. Se anvisningerne i afsnittet *Oversigt over skæreudstyr på side 40* for at se, hvor disse dele sidder på skæreudstyret.

Maskinens levetid kan forkortes, og risikoen for ulykker kan øges, hvis vedligeholdelsen ikke udføres korrekt, og hvis service og/eller reparation ikke udføres fagligt korrekt. Kontakt det nærmeste serviceværksted for at få yderligere oplysninger.



ADVARSEL: Brug aldrig skæreudstyr med defekte komponenter. Skæreudstyrets sikkerhedsudstyr skal kontrolleres og vedligeholdes som beskrevet i dette afsnit. Klarer skæreudstyret ikke alle kontrollerne, skal du kontakte et serviceværksted for at få det repareret.



ADVARSEL: Al service og reparation af produktet kræver specialuddannelse. Dette gælder især produktets sikkerhedsudstyr. Hvis produktet ikke klarer nogen af de nedennævnte kontroller, skal du kontakte dit serviceværksted. Ved at købe nogle af vores produkter kan du være sikker på at få en faglig korrekt reparation og service. Hvis produktet er købt et sted, som ikke er en af

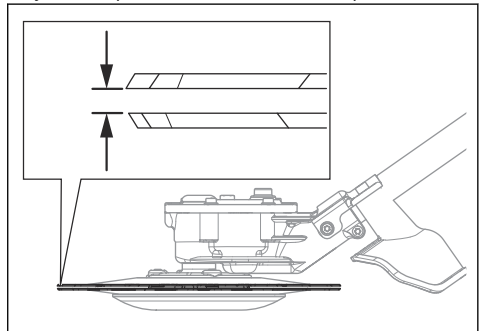
vores serviceydende forhandlere, skal du spørge dem efter det nærmeste serviceværksted.

Sådan foretages en kontrol af skæreudstyret og skæreudstyrets afskærmning

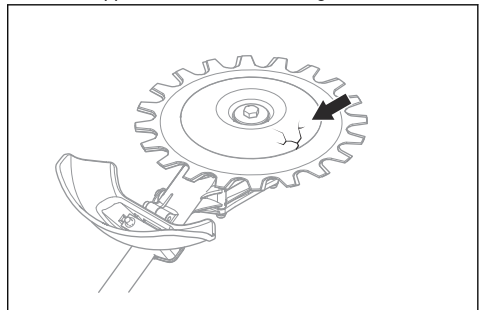


ADVARSEL: Skæreudstyret må ikke anvendes, hvis en godkendt afskærmning ikke er monteret. Hvis der monteres en forkert eller defekt afskærmning på skæreudstyret, kan det forårsage personskade.

1. Stop motoren, og sørg for, at skæreudstyret stopper.
2. Hvis du har et benzindrevet produkt, skal du tage tændhætten af tændrøret. Hvis du har et batteridrevet produkt, skal du tage batteriet ud af produktet.
3. Tag beskyttelseshandsker på.
4. Sørg for, at knivene ikke er beskadiget. Udskift knivene, hvis de er beskadiget. Se *Sådan udskiftes knivene på side 48*.
5. Undersøg klingerne. Sørg for, at der ikke er spillerum mellem knivene. Hvis der er spillerum mellem knivene, skal knivene justeres. Se *Sådan justeres spillerummet mellem knivene på side 49*.

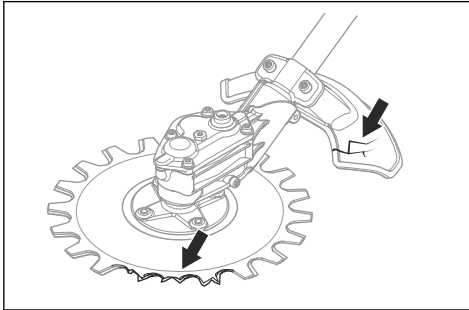


6. Sørg for, at støttekoppen ikke er beskadiget. Udskift støttekoppen, hvis den er beskadiget.



7. Sørg for, at skruerne og skæreudstyret er spændt.

8. Sørg for, at knivene og skæreudstyrets afskærmning ikke er beskadiget. Udskift beskadigede dele.



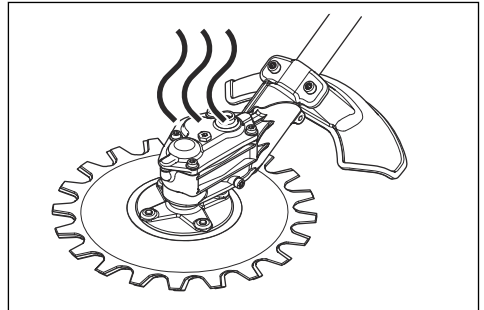
Sikkerhedsinstruktioner for vedligeholdelse



ADVARSEL: Skæreudstyret kan fortsætte med at rotere efter at gas-/strømdløseren er sluppet. Hvis du har et benzindrevet produkt, skal du tage tændhætten af tændrøret. Hvis du har et batteridrevet produkt, skal du tage batteriet ud af produktet. Sørg for, at skæreudstyret er standset helt, inden du udfører vedligeholdelse.



ADVARSEL: Gearhuset bliver varmt, når produktet er i brug. Varme overflader kan give forbrændinger, så rør ikke ved gearhuset.



- Brug altid kraftige handsker ved reparation af skæreudstyret. Skæreudstyret er meget skarpt, og snitsår kan meget let forekomme.
- Brug kun originale reservedele ved reparation.

GEM DISSE ANVISNINGER

Drift

Arbejdsteknik



ADVARSEL: Grene eller græs kan blive fanget mellem tilbehørets afskærmning og skæreudstyret. Stop altid motoren, før du rengør skæreudstyret.

- Brug fuldt gas/omdrejningstal, når du skærer, og nedsæt hastigheden til omdrejningstal i tomgang efter hvert snit.

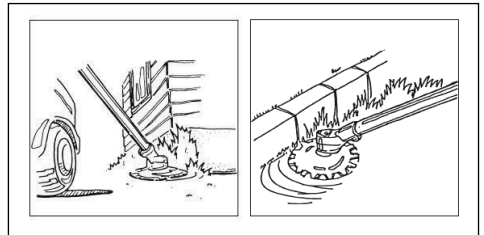


BEMÆRK: Der kan ske motorskade, hvis motoren kører for længe ved fuld gas uden belastning.

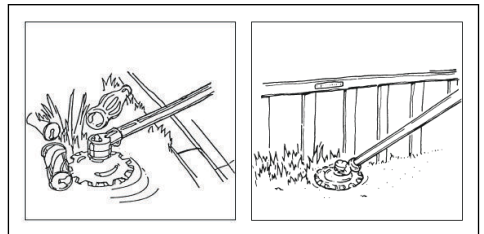
Anbefalet brug af skæreudstyret

Skæreudstyrets knive bevæger sig med en lille vinkel og kan skære i alle retninger. Bevæg skæreudstyret langs underlaget i en højde, så støttekoppen rører underlaget. Brug skæreudstyret til at skære:

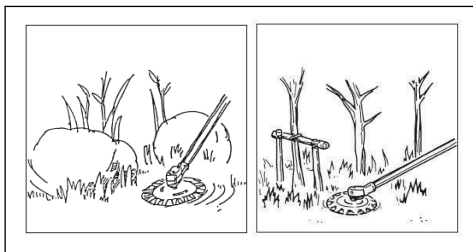
- Parkområder og vejkanter.



- Hegn langs og i nærheden af veje.



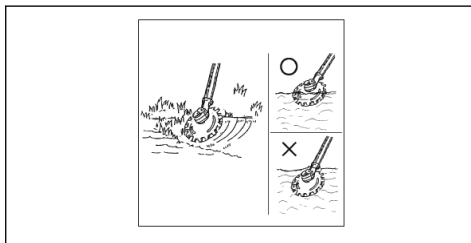
- Rundt om sten og træer.



- i nærheden af vand.



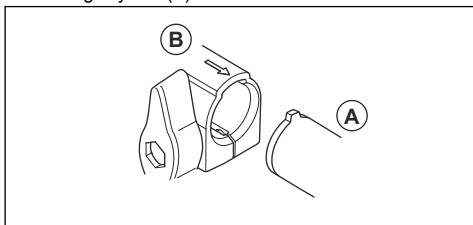
BEMÆRK: Sæt ikke gearhuset ned i vand.



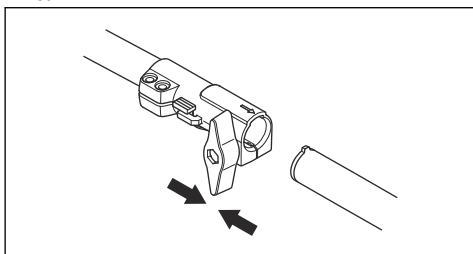
Montering

Sådan monterer du den todelte aksel

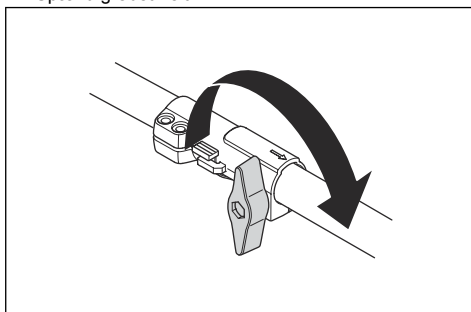
1. Drej grebet for at løsne koblingen.
2. Ret tappen på skæreudstyret (A) ind efter pilen på koblingsstykket (B).



3. Skub forsigtigt akslen ind i koblingen, indtil du hører et klik.

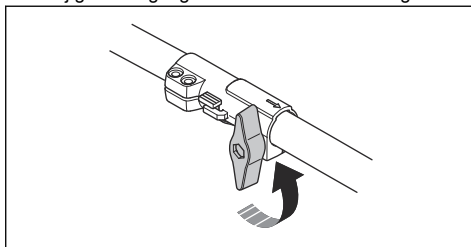


4. Spænd grebet helt.



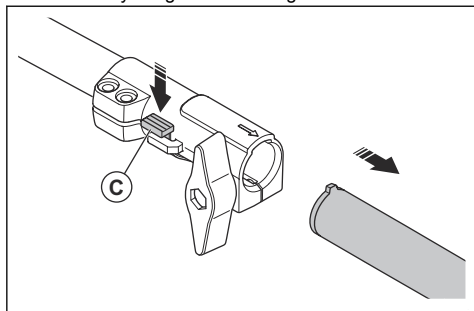
Sådan afmonterer du den todelte aksel

1. Drej grebet 3 gange rundt for at løsne koblingen.



2. Tryk på knappen (C), og hold den inde.
3. Hold fast i den ende af akslen, som motoren er tilsluttet.

4. Træk udstyret lige ud af koblingen.



Vedligeholdelse

Indledning

Nedenfor følger nogle generelle vedligeholdelsesinstruktioner. Hvis du har brug for yderligere oplysninger, kan du kontakte serviceværkstedet.

Bemærk: Føreren må kun udføre den form for vedligeholdelse og service på skæreudstyret, som er anført i denne brugsanvisning. Andet vedligeholdelses- og servicearbejde skal udføres af et godkendt serviceværksted.

Vedligeholdelsesskema

Nedenfor vises en oversigt over det vedligeholdelsesarbejde, der skal udføres på skæreudstyret.

Vedligeholdelse	Hver dag	Ugentligt	Månedligt
Rengør de udvendige dele af produktet.	X		
Sørg for, at knivene ikke er beskadiget. Udskift knivene, hvis de er beskadiget.	X		
Sørg for, at skæreudstyret er intakt. Udskift skæreudstyrsskærmen, hvis den er beskadiget.	X		
Sørg for, at støttekoppen ikke er beskadiget. Udskift støttekoppen, hvis den er beskadiget.	X		
Sørg for, at skruer og møtrikker er spændt.	X		
Fyld gearhuset med fedt, ca. for hver 100 arbejdstimer.		X	

Sådan rengøres og smøres klingerne

1. Rengør knivene for uønskede materialer før og efter brug af produktet.
2. Smør klingerne før længere tids opbevaring.

Bemærk: Spørg serviceforhandleren for at få yderligere oplysninger om anbefalede rengøringsmidler og smøremidler.

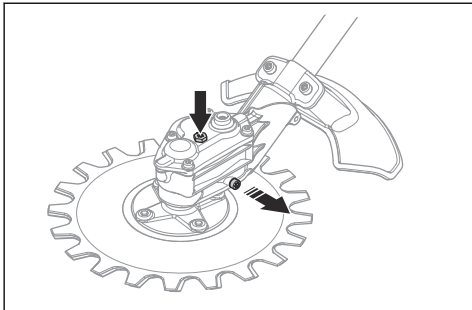
Sådan smøres gearhuset



BEMÆRK: Fyld ikke gearhuset helt op. Hvis gearhuset er fyldt, kan fedt forårsage skade på tætningerne og således medføre lækage.

1. Tag fedtpropperne ud.

2. Tilsæt fedt i det øverste hul.



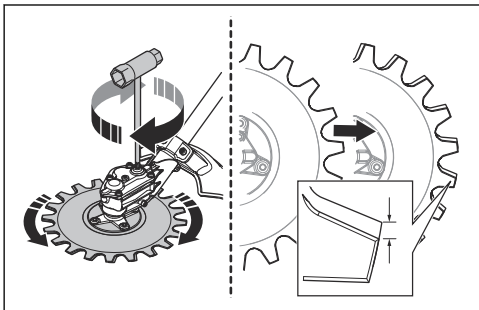
3. Sæt fedtpropperne i.

Sådan skærpes knivene

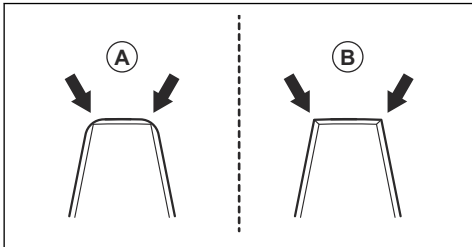


ADVARSEL: Brug altid beskyttelseshandsker, når du holder om knivene.

1. Sæt ring- og gaffelnøglen omkring gearhusets fatning.
2. Drej ring- og gaffelnøglen, indtil der kommer en 3 mm/0,12" forskel mellem den øverste kniv og den nederste kniv.

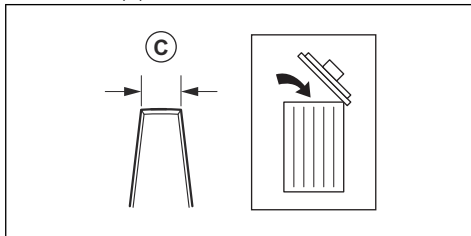


3. Skærp de kanter (B), du kan nå med en slibemaskine. Pas på ikke at afrunde kanterne (A).



4. Drej ring- og gaffelnøglen i modsat retning for at få adgang til de modstående kanter.
5. Skærp de kanter, du kan nå, med en slibemaskine.

6. Udskift knivene, når tandbredden er mindre end 8 mm/0,32" (C).



Sådan udskiftes knivene



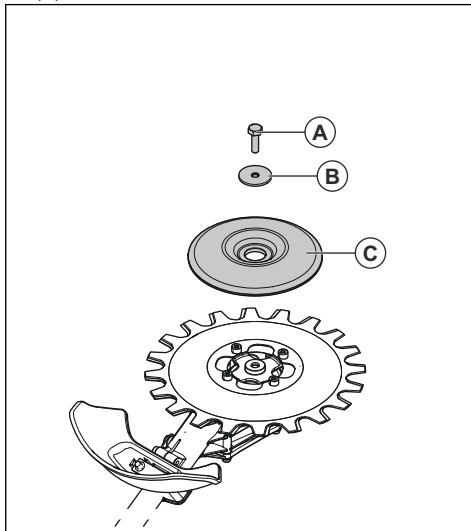
ADVARSEL: Brug altid beskyttelseshandsker, når du holder om knivene.



ADVARSEL: For at undgå uligevægt og vibrationer i produktet rengøres skæreudstyret, når du udskifter knivene.

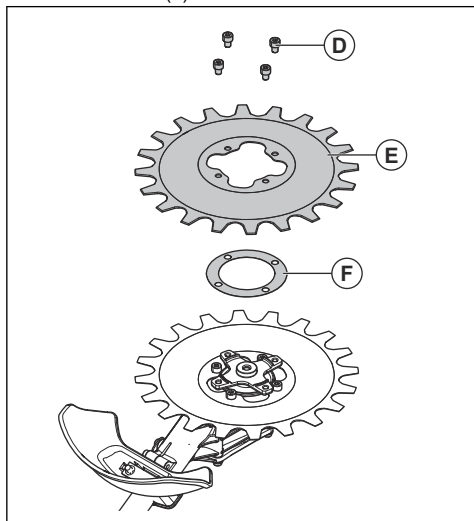
Bemærk: Knivene er udskiftelige.

1. Fjern midterskruen (A), skiven (B) og støttekoppen (C).

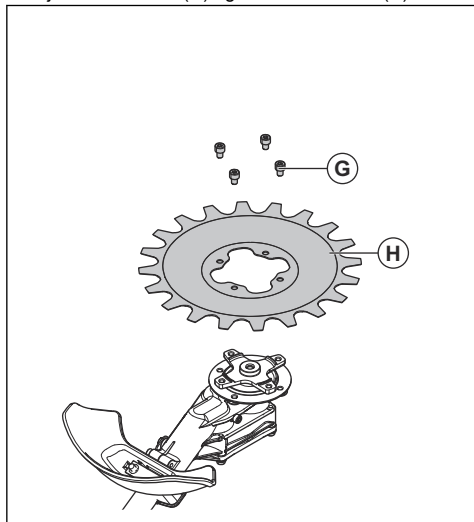


Bemærk: Midterskruen har venstregevind.

2. Fjern de 4 skruer (D), den nederste kniv (E) og afstandsskiven (F).



3. Fjern de 4 skruer (G) og den øverste kniv (H).



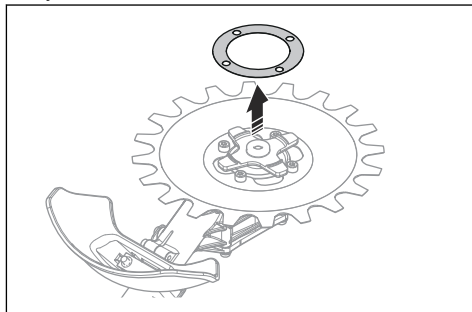
4. Monter knivene i modsat rækkefølge. Spænd skruerne ensartet, når du monterer knivene.

Sådan justeres spillerummet mellem knivene



ADVARSEL: Brug altid beskyttelsehandsker, når du holder om knivene.

1. Afmonter den nederste kniv, se *Sådan udskiftes knivene på side 48*.
2. Fjern afstandsskiven.



Bemærk: Gem afstandsskiven, indtil det er tid til udskiftning af knivene.

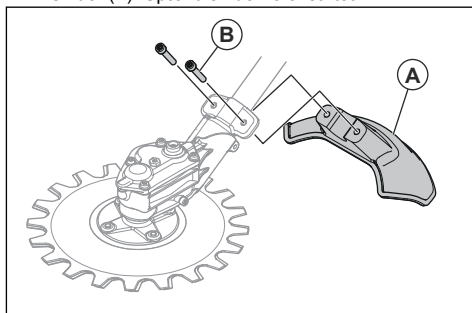
3. Monter den nederste kniv. Spænd skruerne ensartet, når du monterer knivene.

Sådan udskiftes skæreudstyrets afskærmning



ADVARSEL: Brug altid beskyttelsehandsker, når du holder om knivene

- Fjern de 2 skruer (B) og skæreudstyrets afskærmning (A).
- Monter skæreudstyrets nye afskærmning (A) med de 2 skruer (B). Spænd skruerne ensartet.



Transport, opbevaring og bortskaffelse

Transport og opbevaring

- Sørg for, at transportbeskyttelsen er fastgjort korrekt på skæreudstyret, når produktet ikke er i brug, transporteres eller opbevares.
- Opbevar skæreudstyret i et aflåst område utilgængeligt for børn eller personer, som ikke er godkendt.
- Fastgør skæreudstyret sikkert under transport for at undgå skader og uheld.
- Sørg for, at skæreudstyret er rent, og at der er udført fuld service før længere tids opbevaring.

Tekniske data

Tekniske data

RA850	
Vægt	
Vægt, kg	2,5
Støjemissioner¹⁰	
Lydeffektniveau, målt dB (A)	102
Lydeffektniveau, garanteret (L_{WA}), dB(A)	105
Støjniveauer¹¹	
Ækvivalent lydtryksniveau ved brugerens ører målt i henhold til EN ISO 11806-1 og EN ISO 22868, dB(A)	
Udstyret med godkendt tilbehør (original)	90
Vibrationsniveauer¹²	
Ækvivalente vibrationsniveauer ($a_{HV,eq}$) i håndtag målt i henhold til EN ISO 11806-1 og ISO 22867, m/s^2	
Udstyret med godkendt tilbehør (original), venstre/højre	3,9/4,8
Knive	
Diameter, mm	230
Knivhastighed, klip/min	4600

¹⁰ Emission af støj til omgivelserne målt som lydeffekt (L_{WA}) i henhold til EF-direktiv 2000/14/EF. Rapporteret lydeffektniveau for maskinen er målt med det originale skæreudstyr, der giver det højeste niveau. Forskellen mellem garanteret og målt lydeffekt er, at den garanterede lydeffekt også omfatter spredning i måleresultatet og variationerne mellem forskellige maskiner af samme model i henhold til direktivet 2000/14/EF.

¹¹ Rapporterede data for ækvivalent lydtryksniveau for maskinen har en typisk statistisk spredning (standardafvigelse) på 1 dB(A).

¹² Rapporterede data for ækvivalent vibrationsniveau har en typisk statistisk spredning (standardafvigelse) på 1 m/s^2 .

EU-overensstemmelseserklæring

EU-overensstemmelseserklæring

Husqvarna AB, SE-561 82 Huskvarna, Sverige, tlf.: +46-36-146500, erklærer, at reciprocator attachment **Husqvarna RA850** med serienumre fra 2019 og fremefter (året er tydeligt angivet på typeskiltet, efterfulgt af serienummeret), opfylder forskrifterne i RÅDETS DIREKTIV:

- af den 17. maj 2006 "angående maskiner" **2006/42/EF**.
- af den 8. juni 2011 "om begrænsning af anvendelsen af visse farlige stoffer i elektrisk og elektronisk udstyr" **2011/65/EU**
- af den 8. maj 2000 "angående emission af støj til omgivelserne" **2000/14/EF**.
Overensstemmelsesvurdering i henhold til Bilag V.
Oplysninger om støjemissioner findes i kapitlet Tekniske data.

Der er anvendt følgende standarder:

EN ISO 11806-1:2011, EN 50581:2012

RISE SMP Svensk Maskinprovning AB, Box 7035, SE-750 07 Uppsala, Sweden har foretaget frivillig typegodkendelse for Husqvarna AB. Certifikaterne har nummer: **SEC/19/2528**

Huskvarna, 2019-03-11



Per Gustafsson, udviklingschef (autoriseret repræsentant for Husqvarna AB og ansvarlig for teknisk dokumentation)

Inhalt

Einleitung.....	52	Wartung.....	59
Sicherheit.....	54	Transport, Lagerung und Entsorgung.....	62
Betrieb.....	58	Technische Angaben.....	62
Montage.....	59	EG-Konformitätserklärung.....	64

Einleitung

Verwendungszweck



WARNUNG: Die Schneidausrüstung darf nur zusammen mit kompatiblen Geräten verwendet werden. Lesen Sie die Bedienungsanleitung für das Gerät.

Die Schneidausrüstung wird zum Schneiden von Gras und Zweigen verwendet.

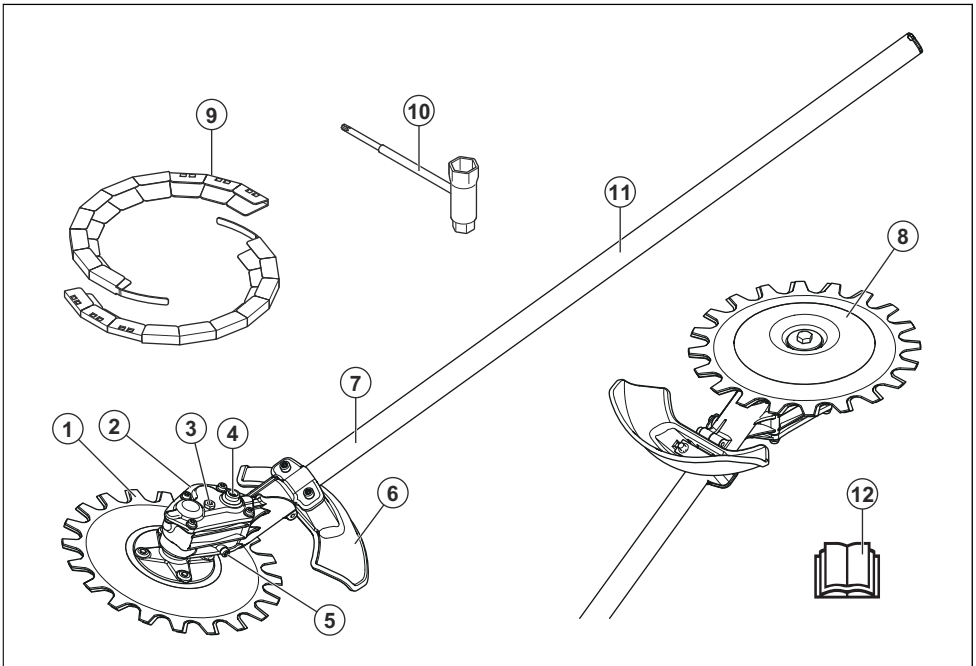
Hinweis: Der Betrieb des Geräts kann durch nationale Vorschriften eingeschränkt werden.

Produktbeschreibung

Wir arbeiten ständig an der Weiterentwicklung unserer Geräte und behalten uns daher das Recht auf Änderungen ohne vorherige Ankündigung, z. B. von Form und Aussehen, vor.

Hinweis: Dieses Handbuch bezieht sich sowohl auf benzin- als auch auf akkubetriebene Antriebsaggregate.

Schneidausrüstung – Übersicht



1. Schneidblatt
2. Getriebegehäuse
3. Oberer Schmiernippel
4. Sockel zum manuellen Bewegen der Schneidblätter
5. Unterer Schmiernippel
6. Schutz für die Schneidausrüstung

7. Führungsrohr
8. Stützkappe
9. Transportschutz
10. Kombischlüssel
11. Informations- und Warnschild
12. Bedienungsanleitung

Symbole auf dem Anbaugerät und dem Antriebsaggregat



Durch unsachgemäße oder nachlässige Handhabung dieses Anbaugeräts können schwere Verletzungen oder sogar tödliche Unfälle von Anwendern oder anderen Personen verursacht werden.



Lesen Sie die Bedienungsanleitung aufmerksam durch und machen Sie sich mit den Anweisungen vertraut, bevor Sie das Anbaugerät verwenden.



Tragen Sie einen Schutzhelm dort, wo Gegenstände auf Sie fallen können. Tragen Sie einen zugelassenen Gehörschutz. Tragen Sie einen zugelassenen Augenschutz.



Tragen Sie stets zugelassene Schutzhandschuhe.



Tragen Sie rutschfeste und stabile Stiefel.



Maximale Schnitte pro Minute



Die Pfeile zeigen die Grenzwerte für die Position des Griffs.



Das Gerät kann Objekte umherschleudern und Augenverletzungen verursachen.



Halten Sie während des Betriebs des Gerätes einen Mindestabstand von 15 m zu Personen oder Tieren ein.



Der Bediener hat dafür zu Sorge zu tragen, dass Menschen und Tiere einen Abstand von mindestens 15 m einhalten. Wenn mehrere Bediener im selben Nahbereich arbeiten, muss der Sicherheitsabstand mindestens 15 m betragen. Das Anbaugerät kann Gegenstände mit großer Kraft herausschleudern, die zurückprallen können. Dies kann zu schweren Augenverletzungen führen, wenn die empfohlene Schutzausrüstung nicht getragen wird.



Umweltbelastende Geräuschemissionen gemäß der Richtlinie der Europäischen Gemeinschaft. Die Emission des Anbaugeräts ist im Abschnitt *Technische Angaben auf Seite 62* und auf dem Geräteschild angegeben.



Dieses Anbaugerät stimmt mit den geltenden CE-Richtlinien überein.



Dieses Gerät entspricht den geltenden EAC-Richtlinien.



Dieses Gerät entspricht den geltenden Richtlinien der Ukraine.



Dieses Gerät entspricht den in Australien und Neuseeland geltenden Richtlinien zur elektromagnetischen Verträglichkeit.

yyyywwxxxx

Die Seriennummer befindet sich auf einem Etikett. **yyyy** ist das Produktionsjahr, **ww** ist die Produktionswoche.

Hinweis: Sonstige Symbole/Aufkleber am Anbaugerät beziehen sich auf spezielle Zertifizierungsanforderungen, die in bestimmten Ländern gelten.

EU V



WARNUNG: Bei einem Eingriff in den Motor erlischt die EU-Typgenehmigung für dieses Produkt.

WICHTIGE SICHERHEITSHINWEISE

Sicherheitsdefinitionen

Warnungen, Vorsichtsmaßnahmen und Hinweise werden verwendet, um auf besonders wichtige Teile der Bedienungsanleitung hinzuweisen.



WARNUNG: Wird verwendet, wenn bei Nichtbeachtung der Anweisungen in diesem Handbuch die Gefahr von Verletzung oder Tod des Bedieners oder anderer Personen besteht.



ACHTUNG: Wird verwendet, wenn bei Nichtbeachtung der Anweisungen in diesem Handbuch die Gefahr von Schäden am Produkt und/oder am Anbaugerät, an anderen Materialien oder in der Umgebung besteht.

Hinweis: Für weitere Informationen, die in bestimmten Situationen nötig sind.

Lesen Sie alle Anweisungen



WARNUNG: Beim Gebrauch von elektrischen Gartengeräten müssen immer einige grundlegende Sicherheitsvorschriften beachtet werden, um die Gefahr eines Brandes, von elektrischen Schlägen und Verletzungen auszuschließen. Die Sicherheitsvorschriften umfassen folgende Vorschriften:

Allgemeine Sicherheitshinweise



WARNUNG: Lesen Sie die folgenden Sicherheitshinweise, bevor Sie das Anbaugerät benutzen.

- Lesen Sie die Betriebsanleitung sorgfältig durch und machen Sie sich mit dem Inhalt vertraut, bevor Sie das Anbaugerät benutzen.
- Diese Anweisungen ergänzen die Anweisungen, die im Lieferumfang des Geräts enthalten waren. Weitere Verfahren finden Sie in der Bedienungsanleitung des Geräts.
- Unter keinen Umständen darf die ursprüngliche Konstruktion des Anbaugerätes ohne Genehmigung

des Herstellers geändert werden. Verwenden Sie keine Anbaugeräte, die modifiziert wurden, und verwenden Sie immer Originalzubehör. Unzulässige Änderungen und/oder unzulässiges Zubehör können zu schweren oder sogar tödlichen Verletzungen des Anwenders oder anderer Personen führen.

- Personen mit Kreislaufstörungen, die zu oft Vibrationen ausgesetzt werden, laufen Gefahr, Schäden an den Blutgefäßen oder am Nervensystem davonzutragen. Gehen Sie zum Arzt, wenn Sie an Ihrem Körper Symptome feststellen, die darauf hinweisen, dass Sie übermäßigen Vibrationen ausgesetzt waren. Beispiele solcher Symptome sind: Taubheit von Körperteilen, Gefühlsverlust, Jucken, Stechen, Schmerz, Verlust oder Beeinträchtigung der normalen Körperkraft, Veränderungen der Hautfarbe oder der Haut. Diese Symptome treten üblicherweise in Fingern, Händen und Handgelenken auf. Bei niedrigen Temperaturen können sich diese Symptome verstärken.

Sicherheitshinweise für den Betrieb



WARNUNG: Lesen Sie die folgenden Warnhinweise, bevor Sie das Gerät benutzen.

- Verwenden Sie das Gerät nur für Arbeiten, die in dieser Bedienungsanleitung aufgeführt sind. Siehe *Verwendungszweck auf Seite 52*.
- Verwenden Sie das Gerät nicht, wenn Sie sich nicht sicher sind, ob Sie es bedienen können.
- Arbeiten Sie nicht mit dem Gerät, wenn Sie müde oder krank sind oder Alkohol, Drogen oder Medikamente zu sich genommen haben. Dies kann Ihre Vision, Ihr Urteilsvermögen oder Ihr Koordinationsvermögen verringern.
- Verwenden Sie das Gerät nicht, wenn Sie bei einem Unfall keine Hilfe holen können.
- Verwenden Sie das Gerät nicht, wenn es Zeichen von Beschädigung aufweist.
- Stellen Sie sicher, dass die Schneidausrüstung immer anhält, wenn sich der Motor im Leerlauf befindet.
- Achten Sie beim Schneiden darauf, dass sich niemand auf unter 15 m/50 Fuß nähert. Stellen Sie sicher, dass sich nur befugte Personen im Arbeitsbereich befinden.
- Erlauben Sie niemals Kindern, das Gerät zu benutzen oder sich ihm zu nähern.
- Halten Sie den Arbeitsbereich sauber und hell. Verwenden Sie das Gerät nicht bei schlechtem Wetter, z. B. bei Nebel, starkem Regen, starkem Wind, großer Kälte, Gewittergefahr.
- Wenn sich während des Betriebs etwas in den Schneidblättern verfängt, den Motor abstellen und

warten, bis sich die Schneidblätter nicht mehr bewegen. Entfernen Sie die Zündkappe von der Zündkerze/Entfernen Sie den Akku. Setzen Sie den Zoll-Schraubenschlüssel in den Sockel des Getriebegehäuses ein, um die Schneidblätter zu bewegen, siehe *So schärfen Sie die Schneidblätter auf Seite 60*.

- Falls die Schneidblätter während des Betriebs beschädigt werden, können das obere und untere Schneidblatt aneinander hängenbleiben. Berühren Sie die Schneidblätter nicht – Sie können sich plötzlich bewegen und Verletzungen verursachen.
- Stellen Sie sicher, dass Sie während der Arbeit eine sichere und stabile Position einnehmen.
- Das Gerät kann Objekte mit hoher Geschwindigkeit auswerfen. Stellen Sie sicher, dass alle Personen im Arbeitsbereich zugelassene persönliche Schutzausrüstung tragen. Entfernen Sie lose Gegenstände aus dem Arbeitsbereich.
- Behalten Sie den Arbeitsbereich im Auge, wenn Sie einen Gehörschutz tragen. Nehmen Sie den Gehörschutz immer ab, sobald der Motor stoppt.
- Stellen Sie den Motor ab, falls das Gerät ungewöhnliche Vibrationen aufweist. Wenn Ihr Gerät mit Benzin betrieben wird, entfernen Sie die Zündkappe von der Zündkerze. Wenn Ihr Gerät mit einem Akku betrieben wird, nehmen Sie den Akku raus. Suchen Sie sofort nach der Ursache. Vibration weist meist auf eine Beschädigung hin.
- Entfernen Sie sich nicht vom Gerät, wenn der Motor eingeschaltet ist.
- Halten Sie das Gerät mit beiden Händen. Halten Sie das Gerät rechts von Ihrem Körper. Betreiben Sie das Gerät mit der Schneidausrüstung unter Hüfthöhe.



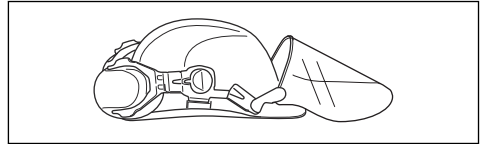
- Die Schneidausrüstung muss immer vom Bediener weg schneiden. In Richtung des Bedieners zu schneiden kann zu schweren Verletzungen führen.
- Sorgen Sie dafür, dass Hände und Füße nicht an die Schneidblätter kommen, wenn der Motor läuft.

Persönliche Schutzausrüstung

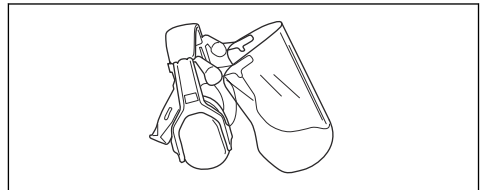


WARNUNG: Lesen Sie die folgenden Warnhinweise, bevor Sie das Gerät benutzen.

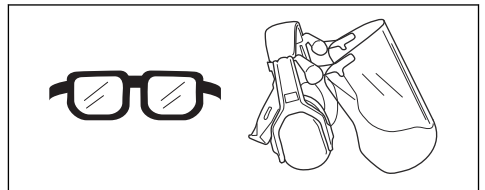
- Verwenden Sie stets die vorgeschriebene persönliche Schutzausrüstung bei der Benutzung des Geräts. Die persönliche Schutzausrüstung kann Verletzungen nicht vollständig vermeiden, vermindert aber den Umfang der Verletzungen und Schäden bei einem Unfall. Lassen Sie sich von Ihrem Händler bei der Auswahl der richtigen Ausrüstung unterstützen.
- Tragen Sie einen Schutzhelm in Bereichen, in denen Gefahr durch herabfallende Gegenstände bestehen kann.



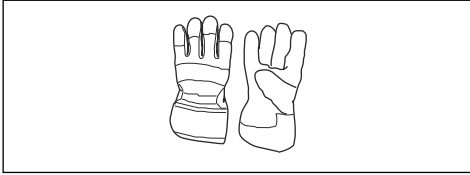
- Eine längerfristige Beschallung mit Lärm kann zu Gehörschäden führen. Grundsätzlich sind akkubetriebene Geräte relativ leise. Durch die Kombination aus Geräuschpegel und langer Nutzungsdauer kann es jedoch zu Gehörschäden kommen. Husqvarna empfiehlt das Tragen eines Gehörschutzes, wenn das Gerät an einem Tag länger durchgehend benutzt wird. Ständige und regelmäßige Benutzer sollten ihr Gehör regelmäßig untersuchen lassen. Beachten Sie, dass ein Gehörschutz die Wahrnehmung von Geräuschen und Warnsignalen einschränkt.



- Tragen Sie einen zugelassenen Augenschutz. Bei der Benutzung eines Visiers ist auch eine zugelassene Schutzbrille zu tragen. Zugelassene Schutzbrillen müssen die Normen ANSI Z87.1 für die USA bzw. EN 166 für EU-Länder erfüllen.



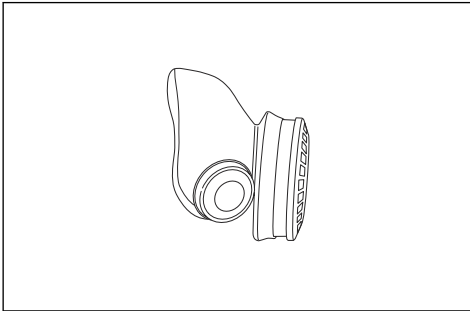
- Tragen Sie bei Bedarf Schutzhandschuhe, beispielsweise bei der Untersuchung oder der Reinigung des Geräts.



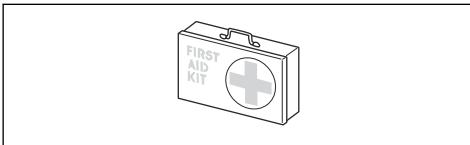
- Tragen Sie Schutzstiefel oder Schuhe mit rutschfester Sohle.



- Tragen Sie Kleidung aus reißfestem Material. Tragen Sie stets eng anliegende Kleidung, lange Hosen aus schwerem Stoff und lange Ärmel. Tragen Sie keine weite Kleidung, die sich leicht an Ästen und Zweigen verfangen könnte. Vermeiden Sie das Tragen von Schmuck, kurzen Hosen und offenen Schuhen. Arbeiten Sie nicht barfuß. Binden Sie Ihre Haare sicherheitshalber zusammen, sodass sie nicht über Ihre Schulter fallen.
- Verwenden Sie bei Gefahr von Staubverteilung einen Atemschutz.



- Halten Sie eine Erste-Hilfe-Ausrüstung und einen Feuerlöscher griffbereit.



Sicherheitsvorrichtungen am Anbaugerät



WARNUNG: Lesen Sie die folgenden Warnhinweise, bevor Sie das Anbaugerät benutzen.

In diesem Abschnitt werden die Sicherheitsfunktionen des Anbaugeräts, ihr Zweck sowie die Kontrollen und Wartungsarbeiten beschrieben, die ausgeführt werden müssen, um die Funktionsfähigkeit des Geräts sicherzustellen. Die Einbaulage dieser Komponenten ist unter der Überschrift *Schneidausrüstung – Übersicht auf Seite 52* gelistet.

Die Lebensdauer des Geräts kann verkürzt werden und die Unfallgefahr kann steigen, wenn die Wartung des Anbaugeräts nicht ordnungsgemäß und Service und/oder Reparaturen nicht fachmännisch ausgeführt werden. Wenden Sie sich für weitere Informationen an Ihre Vertragswerkstatt.



WARNUNG: Benutzen Sie kein Anbaugerät mit defekten Sicherheitsvorrichtungen. Die Sicherheitsausrüstung des Anbaugeräts muss so überprüft und gewartet werden, wie dies in diesem Abschnitt beschrieben wird. Wenn Ihr Anbaugerät diesen Anforderungen nicht entspricht, muss eine Servicewerkstatt aufgesucht werden.



WARNUNG: Service und Reparatur des Geräts erfordern eine Spezialausbildung. Dies gilt besonders für die Sicherheitsausrüstung des Geräts. Wenn Ihr Gerät den unten aufgeführten Kontrollanforderungen nicht entspricht, müssen Sie Ihre Servicewerkstatt aufsuchen. Beim Kauf eines unserer Geräte wird gewährleistet, dass Reparatur- oder Servicearbeiten fachmännisch ausgeführt werden. Sollte der Verkäufer Ihres Geräts nicht an unser Fachhändler-Service-Netz angeschlossen sein, fragen Sie nach unserer nächstgelegenen Servicewerkstatt.

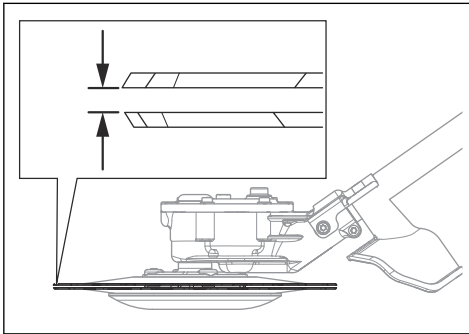
So überprüfen Sie die Schneidausrüstung und den Schutz der Schneidausrüstung



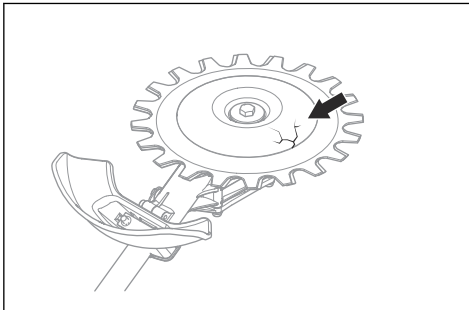
WARNUNG: Verwenden Sie unter keinen Umständen eine Schneidausrüstung ohne einen zugelassenen Schneidausrüstungsschutz. Wenn eine falsche oder defekte Schutzvorrichtung für die Schneidausrüstung installiert wird, können dadurch Verletzungen verursacht werden.

1. Stoppen Sie den Motor, und stellen Sie sicher, dass sich die Schneidausrüstung nicht mehr bewegt.

2. Wenn Ihr Gerät mit Benzin betrieben wird, entfernen Sie die Zündkappe von der Zündkerze. Wenn Ihr Gerät mit einem Akku betrieben wird, nehmen Sie den Akku aus dem Gerät.
3. Ziehen Sie Schutzhandschuhe an.
4. Stellen Sie sicher, dass die Schneidblätter nicht beschädigt sind. Tauschen Sie beschädigte Schneidblätter aus. Siehe *So tauschen Sie die Schneidblätter aus auf Seite 61*.
5. Überprüfen Sie die Schneidblätter. Stellen Sie sicher, dass zwischen den Schneidblättern kein Zwischenraum vorhanden ist. Falls zwischen den Schneidblättern ein Zwischenraum vorhanden ist, müssen die Schneidblätter eingestellt werden. Siehe *So stellen Sie den Abstand zwischen den Schneidblättern ein auf Seite 62*.

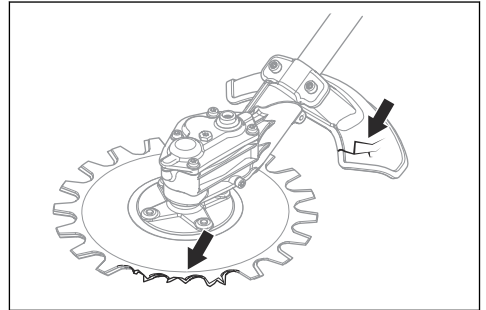


6. Vergewissern Sie sich, dass die Stützkappe nicht beschädigt ist. Ersetzen Sie die Stützkappe bei Beschädigung.



7. Stellen Sie sicher, dass die Schrauben an der Schneidausrüstung angezogen sind.

8. Achten Sie darauf, dass die Schneidblätter und der Schutz der Schneidausrüstung nicht beschädigt sind. Ersetzen Sie die beschädigten Teile.



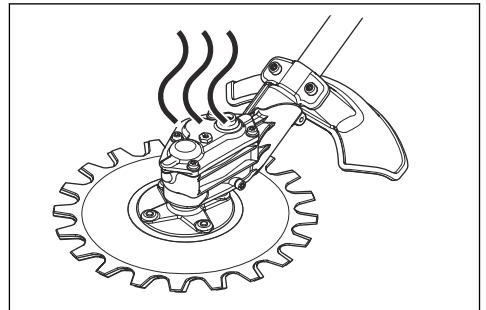
Sicherheitshinweise für die Wartung



WARNUNG: Die Schneidausrüstung kann sich weiter drehen, nachdem der Gashebel losgelassen wurde. Wenn Ihr Gerät mit Benzin betrieben wird, entfernen Sie die Zündkappe von der Zündkerze. Wenn Ihr Gerät mit einem Akku betrieben wird, nehmen Sie den Akku aus dem Gerät. Vergewissern Sie sich, dass die Schneidausrüstung vollständig angehalten hat, bevor Sie mit Wartungsarbeiten beginnen.



WARNUNG: Das Getriebegehäuse des Geräts wird während des Betriebs heiß. Heiße Oberflächen können Verbrennungen verursachen – Berühren Sie nicht das Getriebegehäuse.



- Zur Reparatur der Schneidausrüstung immer feste Handschuhe anziehen. Die Schneidausrüstung ist sehr scharf und kann sehr einfach Schnittwunden verursachen.
- Verwenden Sie für Reparaturen ausschließlich Original-Ersatzteile.

Betrieb

Die Arbeitstechnik



WARNUNG: Äste oder Gras können sich zwischen dem Schutz der Schneid-ausrüstung und der Schneid-ausrüstung selbst verfangen. Stellen Sie stets den Motor ab, bevor Sie die Schneid-ausrüstung reinigen.

- Setzen Sie die volle Leistung/volle Drehzahl beim Schneiden ein und reduzieren Sie die Drehzahl nach jedem Schnitt auf die Leerlaufdrehzahl.

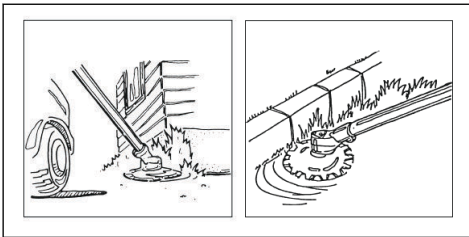


ACHTUNG: Am Motor können Schäden auftreten, wenn der Motor zu lange mit voller Leistung ohne Last läuft.

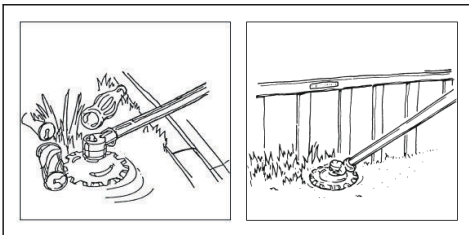
Empfohlene Verwendung für die Schneid-ausrüstung

Die Schneidblätter der Schneid-ausrüstung bewegen sich in einem geringen Winkel und können in alle Richtungen schneiden. Bewegen Sie die Schneid-ausrüstung in einer Höhe, bei der die Stützkappe den Boden berührt, den Boden entlang. Verwenden Sie die Schneid-ausrüstung für:

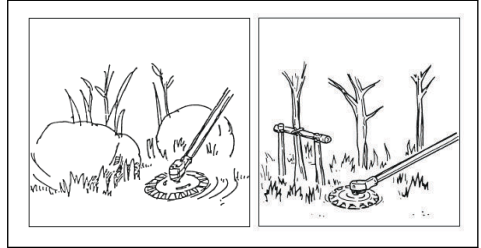
- Arbeiten in Parkbereichen und an Straßenrändern.



- Arbeiten in Straßennähe und in der Nähe von Zäunen.



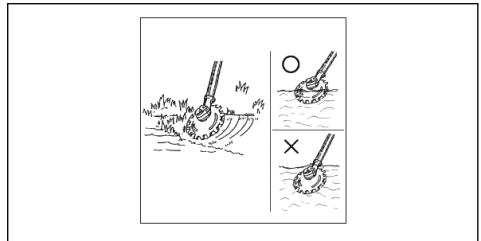
- Arbeiten an Steinen und Bäumen.



- Arbeiten in der Nähe von Wasser.



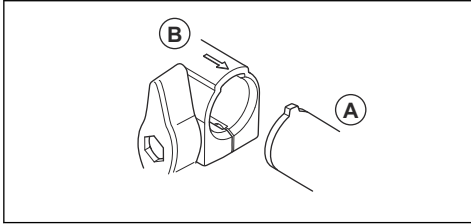
ACHTUNG: Tauchen Sie das Getriebegehäuse nicht ins Wasser.



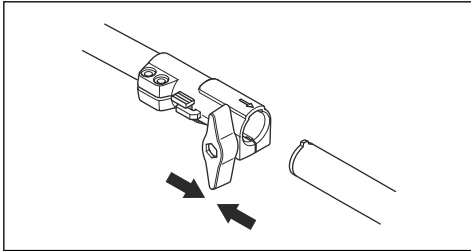
Montage

So bauen Sie das zweiteilige Führungsrohr zusammen

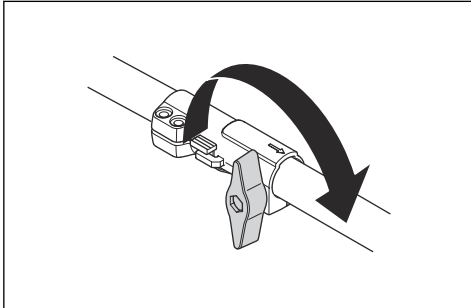
1. Drehen Sie den Knopf zum Lösen der Kupplung.
2. Richten Sie den Vorsprung an der Schneidausrüstung (A) mit dem Pfeil an der Kupplung (B) aus.



3. Drücken Sie das Führungsrohr vorsichtig in die Verbindung, bis Sie ein „Klicken“ hören.

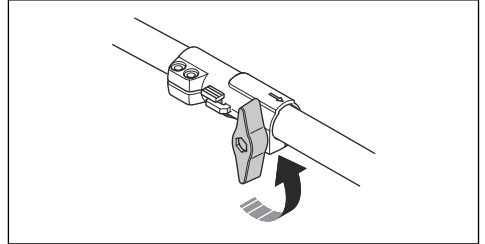


4. Ziehen Sie den Drehknopf vollständig fest.

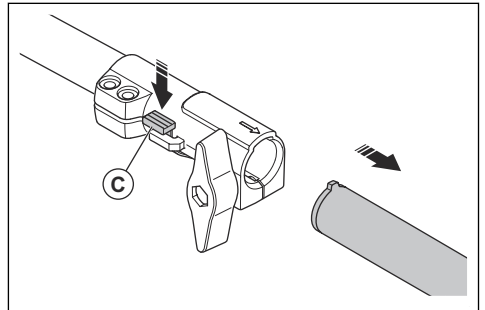


So nehmen Sie das zweiteilige Führungsrohr auseinander

1. Drehen Sie den Knopf 3 Umdrehungen oder mehr, um die Kupplung zu lösen.



2. Halten Sie die Taste (C) gedrückt.
3. Halten Sie das Ende des Führungsrohrs fest, das am Motor befestigt ist.
4. Ziehen Sie das Verbindungsrohr aus der Schnellkupplung heraus.



Wartung

Einleitung

Nachstehend folgen einige allgemeine Wartungsanweisungen. Sollten Sie weitere Informationen brauchen, wenden Sie sich bitte an Ihre Servicewerkstatt.

Wartungsplan

Nachstehend sind die an der Schneidausrüstung vorzunehmenden Wartungsmaßnahmen aufgelistet.

Hinweis: Der Bediener darf nur die in dieser Betriebsanleitung beschriebenen Wartungs- und Servicemaßnahmen durchführen. Andere Wartungs-

und Servicemaßnahme müssen von einer zugelassenen Servicewerkstatt durchgeführt werden.

Wartung	Täglich	Wöchentlich	Monatlich
Reinigen Sie die äußeren Bauteile des Geräts.	X		
Stellen Sie sicher, dass die Schneidblätter nicht beschädigt sind. Tauschen Sie beschädigte Schneidblätter aus.	X		
Kontrollieren Sie den Schutz für die Schneidrüstung auf Schäden. Tauschen Sie den Schutz für die Schneidrüstung aus, wenn er beschädigt ist.	X		
Vergewissern Sie sich, dass die Stützkappe nicht beschädigt ist. Ersetzen Sie die Stützkappe bei Beschädigung.	X		
Vergewissern Sie sich, dass alle Schrauben und Muttern fest angezogen sind.	X		
Füllen Sie immer nach ca. 100 Stunden Mähzeit das Fett im Getriebegehäuse nach.		X	

So reinigen und schmieren Sie die Klingen

1. Reinigen Sie die Klingen vor und nach dem Betrieb des Geräts von unerwünschten Materialien.
2. Schmieren Sie vor der Langzeitaufbewahrung die Klingen.

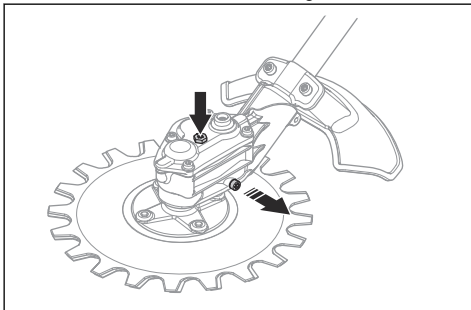
Hinweis: Ihr Servicehändler steht Ihnen gerne für weitere Informationen zu empfohlenen Reinigungsmitteln und Schmierstoffen zur Verfügung.

Schmieren des Getriebegehäuses



ACHTUNG: Füllen Sie das Getriebegehäuse nicht vollständig. Wenn das Getriebegehäuse vollständig gefüllt ist, kann das Fett die Dichtungen beschädigen und Undichtigkeiten verursachen.

1. Ziehen Sie die Schmiernippel ab.
2. Geben Sie an der oberen Öffnung Fett hinzu.



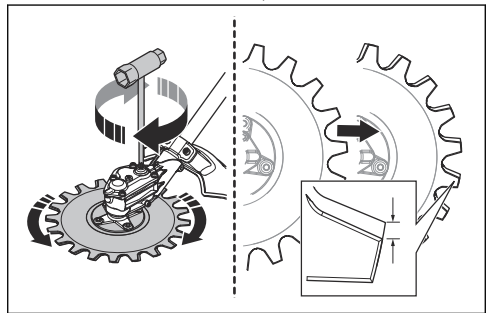
3. Bringen Sie die Schmiernippel an.

So schärfen Sie die Schneidblätter

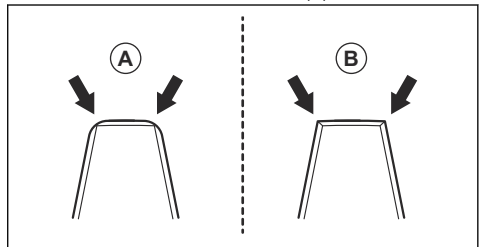


WARNUNG: Tragen Sie im Umgang mit den Schneidblättern Schutzhandschuhe.

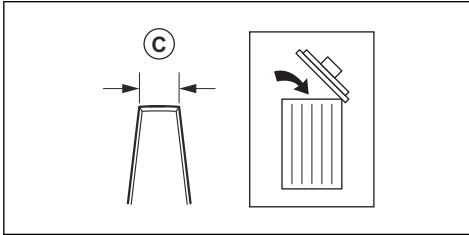
1. Setzen Sie den Kombischlüssel in den Sockel auf dem Getriebegehäuse.
2. Drehen Sie den Kombischlüssel, bis zwischen dem oberen und dem unteren Schneidblatt ein Zwischenraum von 3 mm/0,12 Zoll besteht.



3. Schärfen Sie die zugänglichen Schnittkanten (B) mit einer Schleifmaschine. Achten Sie darauf, die Schnittkanten nicht abzurunden (A).



4. Drehen Sie den Kombischlüssel in die entgegengesetzte Richtung, um Zugang zu den gegenüberliegenden Schnittkanten zu erhalten.
5. Schärfen Sie die zugänglichen Schnittkanten mit einer Schleifmaschine.
6. Tauschen Sie die Schneidblätter aus, wenn die Zahnbreite weniger als 8 mm/0,32 Zoll beträgt (C).



So tauschen Sie die Schneidblätter aus



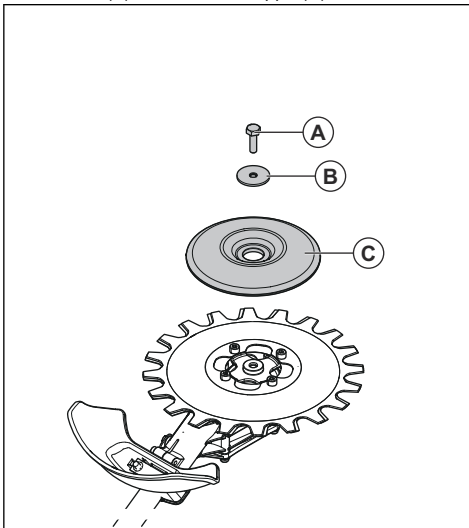
WARNUNG: Tragen Sie im Umgang mit den Schneidblättern Schutzhandschuhe.



WARNUNG: Um Unwucht und Vibrationen im Gerät zu vermeiden, reinigen Sie die Schneidausrüstung beim Austausch der Schneidblätter.

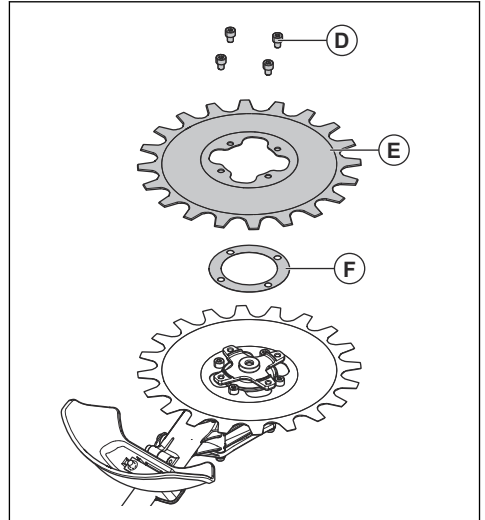
Hinweis: Die Schneidblätter können beliebig vertauscht werden.

1. Entfernen Sie die mittlere Schraube (A), die Scheibe (B) und die Stützkappe (C).

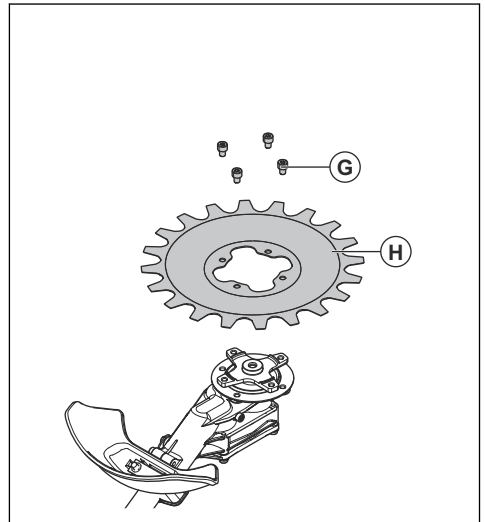


Hinweis: Die mittlere Schraube hat ein Linksgewinde.

2. Entfernen Sie die 4 Schrauben (D), das untere Schneidblatt (E) und die Unterlegscheibe.



3. Entfernen Sie die 4 Schrauben (G) und das obere Schneidblatt (H).



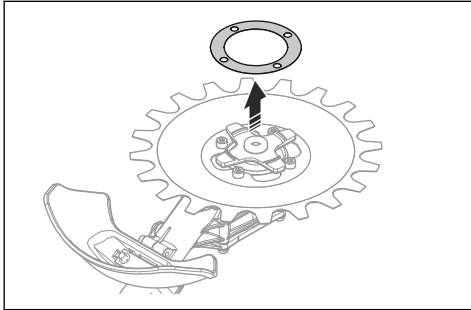
4. Montieren Sie die Schneidblätter in umgekehrter Reihenfolge. Ziehen Sie beim Einbau der Schneidblätter alle Schrauben gleichmäßig fest.

So stellen Sie den Abstand zwischen den Schneidblättern ein



WARNUNG: Tragen Sie im Umgang mit den Schneidblättern Schutzhandschuhe.

1. Entfernen Sie das untere Schneidblatt, siehe *So tauschen Sie die Schneidblätter aus auf Seite 61*.
2. Entfernen Sie die Unterlegscheibe.



Hinweis: Heben Sie die Unterlegscheibe für den Wiedereinbau der Schneidblätter auf.

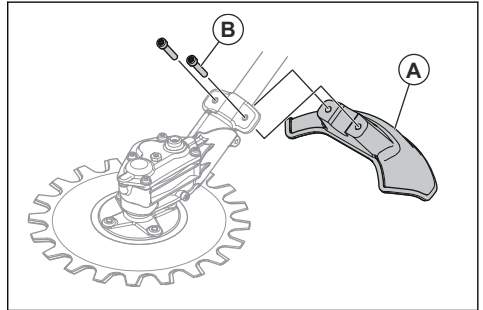
3. Bauen Sie das untere Schneidblatt ein. Ziehen Sie beim Einbau der Schneidblätter alle Schrauben gleichmäßig fest.

So ersetzen Sie den Schneidausrüstungsschutz



WARNUNG: Tragen Sie im Umgang mit den Schneidblättern Schutzhandschuhe.

- Entfernen Sie die 2 Schrauben (B) und den Schutz (A) der Schneidausrüstung.
- Befestigen Sie den neuen Schutz (A) der Schneidausrüstung mit den 2 Schrauben (B). Ziehen Sie die Schrauben gleichmäßig fest.



Transport, Lagerung und Entsorgung

Transport und Aufbewahrung

- Stellen Sie sicher, dass der Transportschutz korrekt an der Schneidausrüstung befestigt ist, wenn das Gerät nicht verwendet, transportiert oder gelagert wird.
- Bewahren Sie die Schneidausrüstung in einem verschlossenen Bereich auf, um einen unerlaubten

Zugriff durch Kinder oder andere unbefugte Personen zu verhindern.

- Befestigen Sie die Schneidausrüstung während des Transports sicher, um Beschädigungen und Unfälle zu vermeiden.
- Bevor die Schneidausrüstung über längere Zeit gelagert wird, stellen Sie sicher, dass sie sauber ist und eine umfassende Wartung durchgeführt wurde.

Technische Angaben

Technische Daten

RA850	
Gewicht	
Gewicht, kg	2,5

RA850	
Geräuschemissionen¹³	
Gemessener Schalleistungspegel dB (A)	102
Schalleistungspegel, garantiert L _{WA} , dB(A)	105
Geräuschpegel¹⁴	
Äquivalenter Schalldruckpegel am Ohr des Anwenders, gemessen gemäß EN/ISO 11806-1 und EN/ISO 22868, in [dB(A)]	
Ausgestattet mit zugelassenem Zubehör (Original)	90
Vibrationswerte¹⁵	
Äquivalente Vibrationspegel (a _{hv,eq}) an den Griffen, gemessen gemäß EN ISO 11806-1 und ISO 22867, m/s ² :	
Ausgestattet mit zugelassenem Zubehör (Original), links/rechts	3,9/4,8
Schneidblätter	
Durchmesser, mm	230
Schnittgeschwindigkeit, Schnitte/min.	4600

¹³ Umweltbelastende Geräuschemissionen, gemessen als Schalleistung (L_{WA}) gemäß EG-Richtlinie 2000/14/EG. Der aufgezeichnete Lautstärkepegel für das Gerät wurde unter Verwendung der originalen Schneidausrüstung mit dem höchsten Pegel gemessen. Die Differenz zwischen garantiertem und gemessenem Schalleistungspegel besteht darin, dass beim garantierten Schalleistungspegel auch eine Streuung im Messergebnis und Variationen zwischen verschiedenen Geräten desselben Modells gemäß der Richtlinie 2000/14/EG berücksichtigt werden.

¹⁴ Berichten zufolge liegt der Schalldruckpegel für dieses Gerät normalerweise bei einer Ausbreitungsklasse (Standardabweichung) von 1 dB(A).

¹⁵ Berichten zufolge liegt der äquivalente Vibrationspegel normalerweise bei einer Ausbreitungsklasse (Standardabweichung) von 1 m/s².

EG-Konformitätserklärung

EG-Konformitätserklärung

Husqvarna AB, SE-561 82 Huskvarna, Schweden, Tel.: +46-36-146500, erklärt hiermit, dass die reciprocator attachment **Husqvarna RA850** mit Seriennummer ab 2019 (die Jahreszahl wird im Klartext auf dem Typenschild angegeben, mitsamt einer nachfolgenden Seriennummer) den Vorschriften der RICHTLINIE DES RATES entsprechen:

- „Maschinen-Richtlinie“ **2006/42/EG** vom 17. Mai 2006
- Richtlinie „zur Beschränkung der Verwendung bestimmter gefährlicher Stoffe in Elektro- und Elektronikgeräten“ **2011/65/EU** vom 8. Juni 2011.
- „Richtlinie über umweltbelastende Geräuschemissionen von zur Verwendung im Freien vorgesehenen Geräten und Maschinen“ **2000/14/EG** vom 8. Mai 2000 Beurteilung der Übereinstimmung gemäß Anhang V. Informationen zu Geräuschemissionen finden Sie im Kapitel „Technische Daten“.

Die folgenden Normen werden erfüllt:

EN ISO 11806-1:2011, EN 50581:2012

RISE SMP Svensk Maskinprovning AB, Box 7035, SE-750 07 Uppsala, Sweden hat die freiwillige Typenprüfung für Husqvarna AB durchgeführt. Die Prüfzertifikate haben die Nummern: **SEC/19/2528**

Huskvarna, 2019-03-11



Per Gustafsson, Entwicklungsleiter (bevollmächtigter Vertreter für Husqvarna AB, verantwortlich für die technische Dokumentation)

Περιεχόμενα

Εισαγωγή.....	65	Συντήρηση.....	72
Ασφάλεια.....	67	Μεταφορά, αποθήκευση και απόρριψη.....	75
Λειτουργία.....	71	Τεχνικά στοιχεία.....	76
Συναρμολόγηση.....	72	Δήλωση Συμμόρφωσης ΕΚ.....	77

Εισαγωγή

Προβλεπόμενη χρήση



ΠΡΟΕΙΔΟΠΟΙΗΣΗ: Το παρελκόμενο κοπή πρέπει να χρησιμοποιείται μόνο μαζί με συμβατά προϊόντα. Ανατρέξτε στο εγχειρίδιο χρήσης του προϊόντος.

Το παρελκόμενο κοπή χρησιμοποιείται για την κοπή γρασιδιού και μικρών κλαδιών.

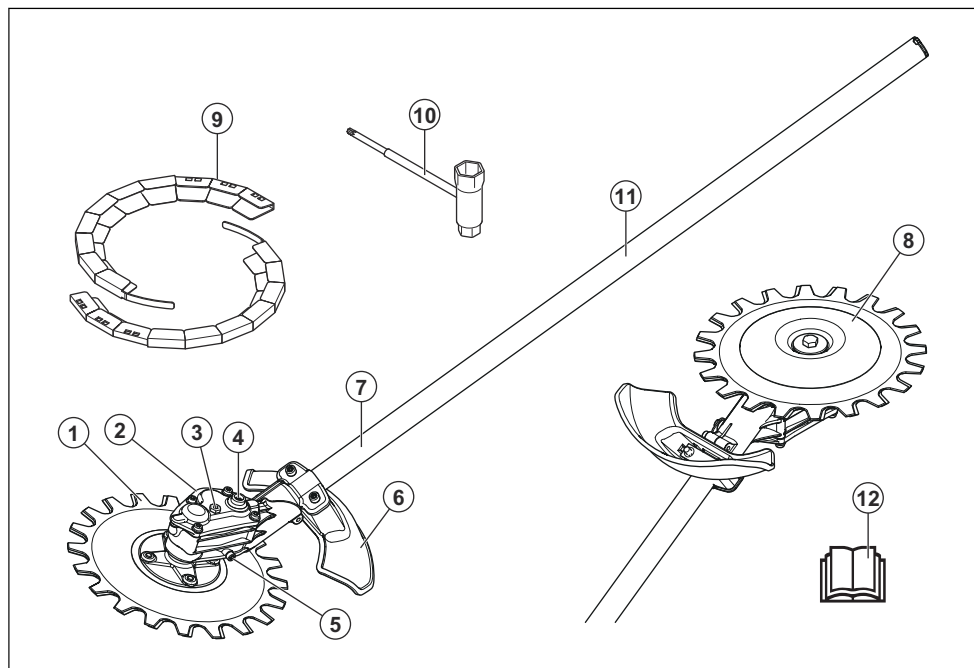
Περιεχόμενα Μπορεί να ισχύουν εθνικοί κανονισμοί που θέτουν όρια στη χρήση του προϊόντος.

Περιγραφή προϊόντος

Εφαρμόζουμε μια πολυετή συνεχούς ανάπτυξης προϊόντων και, συνεπώς, διατηρούμε το δικαίωμα να προβούμε σε τροποποιήσεις στο σχεδιασμό και την εμφάνιση των προϊόντων χωρίς προειδοποίηση.

Περιεχόμενα Αυτό το εγχειρίδιο καλύπτει τις μονάδες παροχής ισχύος που λειτουργούν με βενζίνη και μπαταρία.

Επισκόπηση παρελκόμενου κοπής



1. Λεπίδα
2. Περιβλήμα γραναζιών
3. Επάνω τάπα γράσου
4. Υποδοχή για τη χειροκίνητη μετακίνηση των λεπίδων
5. Κάτω τάπα γράσου
6. Προστατευτικό εξαρτήματος κοπής

7. Άξονας
8. Δοχείο στήριξης
9. Προστατευτικό μεταφοράς
10. Γερμανοπολύγωνα κλειδί
11. Πληροφορίες και προειδοποιητικά σήματα
12. Εγχειρίδιο χρήσης



Ο χειριστής πρέπει να διασφαλίσει ότι δεν θα προσεγγίσουν το μηχάνημα πρόσωπα ή ζώα σε απόσταση μικρότερη των 15 μέτρων. Όταν εργάζονται πολλοί χειριστές εντός του ίδιου χώρου, πρέπει να τηρούν μια απόσταση ασφαλείας τουλάχιστον 15 μέτρων μεταξύ τους. Το παρελκόμενο μπορεί να εκσφενδονίσει αντικείμενα με μεγάλη δύναμη, τα οποία μπορεί να αναπηδήσουν προς τα πίσω. Αυτό μπορεί να έχει ως αποτέλεσμα σοβαρό τραυματισμό των ματιών, αν δεν χρησιμοποιηθεί ο συστημένος εξοπλισμός ασφαλείας.



Η απρόσεκτη ή λανθασμένη χρήση αυτού του παρελκόμενου μπορεί να προκαλέσει σοβαρό ή θανατηφόρο τραυματισμό στον χειριστή ή σε άλλα άτομα.



Διαβάστε το εγχειρίδιο χρήσης προσεκτικά και βεβαιωθείτε ότι έχετε κατανοήσει τις οδηγίες προτού χρησιμοποιήσετε το παρελκόμενο.



Χρησιμοποιείτε ένα κράνος προστασίας σε σημεία όπου μπορεί να πέσουν αντικείμενα επάνω σας. Χρησιμοποιείτε εγκεκριμένα προστατευτικά ακοής. Χρησιμοποιείτε εγκεκριμένη προστασία των ματιών.



Φοράτε πάντα εγκεκριμένα προστατευτικά γάντια.



Πρέπει να φοράτε ανθεκτικές, αντιολισθητικές μπότσες.



Μέγιστες κοπές ανά λεπτό.



Τα βέλη δείχνουν τα όρια για τη θέση της λαβής.



Το προϊόν μπορεί να προκαλέσει την εκτίναξη αντικειμένων, το οποίο μπορεί να προκαλέσει τραυματισμό.



Για όση ώρα λειτουργεί το προϊόν, να διατηρείτε ελάχιστη απόσταση 15 μέτρων από ανθρώπους και ζώα.



Εκπομπές θορύβου στο περιβάλλον σύμφωνα με την Οδηγία της Ευρωπαϊκής Κοινότητας. Οι εκπομπές καυσαερίων του παρελκόμενου καθορίζονται στο κεφάλαιο *Τεχνικά στοιχεία στη σελίδα 76* και στην ετικέτα.



Αυτό το παρελκόμενο συμμορφώνεται με τις ισχύουσες οδηγίες ΕΚ.



Το προϊόν συμμορφώνεται με τις ισχύουσες οδηγίες EAC.



Το προϊόν συμμορφώνεται με τις ισχύουσες οδηγίες για την Ουκρανία



Το προϊόν συμμορφώνεται με τις ισχύουσες οδηγίες για την ηλεκτρομαγνητική συμβατότητα στην Αυστραλία και τη Νέα Ζηλανδία.

yyyywwxxxx

Στην ετικέτα αναγράφεται ο αριθμός σειράς. Το **yyyy** είναι το έτος παραγωγής και το **ww** είναι η εβδομάδα παραγωγής.

Περιεχόμενα Άλλα σύμβολα/σήματα που υπάρχουν στο παρελκόμενο αφορούν ειδικές απαιτήσεις πιστοποίησης για συγκεκριμένες αγορές.



ΠΡΟΕΙΔΟΠΟΙΗΣΗ: Οποιαδήποτε μη εξουσιοδοτημένη παρέμβαση στον κινητήρα

Ασφάλεια

ΣΗΜΑΝΤΙΚΕΣ ΟΔΗΓΙΕΣ ΑΣΦΑΛΕΙΑΣ

Ορισμοί για την ασφάλεια

Για την επισήμανση ειδικών σημαντικών τμημάτων του εγχειριδίου χρήσης χρησιμοποιούνται προειδοποιήσεις, συστάσεις προσοχής και σημειώσεις.



ΠΡΟΕΙΔΟΠΟΙΗΣΗ: Χρησιμοποιείται όταν υπάρχει κίνδυνος τραυματισμού ή θανάτου του χειριστή ή άλλων παριστάμενων ατόμων, αν δεν τηρηθούν οι οδηγίες που παρέχονται στο εγχειρίδιο.



ΠΡΟΣΟΧΗ: Χρησιμοποιείται όταν υπάρχει κίνδυνος πρόκλησης ζημιάς στο προϊόν ή/και στο παρελκόμενο, σε άλλα υλικά ή στον παρακείμενο χώρο, αν δεν τηρηθούν οι οδηγίες που παρέχονται στο εγχειρίδιο.

Περιεχόμενα Χρησιμοποιείται για παροχή περισσότερων πληροφοριών, οι οποίες χρειάζονται σε μια δεδομένη κατάσταση.

Διαβάστε όλες τις οδηγίες



ΠΡΟΕΙΔΟΠΟΙΗΣΗ: Κατά τη χρήση ηλεκτρικών συσκευών κηπουρικής, πρέπει πάντα να τηρούνται οι βασικές προφυλάξεις ασφαλείας προκειμένου να μειωθεί ο κίνδυνος πυρκαγιάς, ηλεκτροπληξίας και τραυματισμού, συμπεριλαμβανομένων των εξής περιπτώσεων:

Γενικές οδηγίες ασφαλείας



ΠΡΟΕΙΔΟΠΟΙΗΣΗ: Προτού χρησιμοποιήσετε το παρελκόμενο, διαβάστε τις παρακάτω οδηγίες ασφαλείας.

- Διαβάστε το εγχειρίδιο χρήσης προσεκτικά και βεβαιωθείτε ότι έχετε κατανοήσει τις οδηγίες προτού χρησιμοποιήσετε το παρελκόμενο.
- Αυτές οι οδηγίες συμπληρώνουν τις οδηγίες που συμπεριλαμβάνονταν στο προϊόν. Για άλλες

διαδικασίες, ανατρέξτε στις οδηγίες λειτουργίας του προϊόντος.

- Δεν επιτρέπονται, σε καμία περίπτωση, τροποποιήσεις στη σχεδίαση του παρελκόμενου χωρίς την έγκριση του κατασκευαστή. Μην χρησιμοποιείτε παρελκόμενα που φαίνεται ότι έχουν τροποποιηθεί από άλλους. Φροντίστε να χρησιμοποιείτε πάντα γνήσια αξεσουάρ. Η μη εξουσιοδοτημένη εκτέλεση τροποποιήσεων ή/και η χρήση μη γνήσιων αξεσουάρ μπορεί να οδηγήσει σε σοβαρό προσωπικό τραυματισμό ή θάνατο του χειριστή ή άλλων ατόμων.
- Η υπερέκθεση σε κραδασμούς μπορεί να προκαλέσει βλάβη στο κυκλοφορικό ή νευρικό σύστημα σε άτομα με βεβαρημένο κυκλοφορικό. Εάν αισθανθείτε συμπτώματα υπερέκθεσης σε κραδασμούς, επικοινωνήστε με το γιατρό σας. Παραδείγματα τέτοιων συμπτωμάτων είναι το μούδιασμα, η απώλεια αίσθησης, οι σουβλιές, ο πόνος, η μυϊκή ατονία και η αλλαγή στο χρώμα ή την κατάσταση του δέρματος. Τα συμπτώματα αυτά συνήθως εμφανίζονται στα δάχτυλα, τις παλάμες ή τους καρπούς. Τα συμπτώματα αυτά μπορεί να γίνουν εντονότερα σε χαμηλές θερμοκρασίες.

Οδηγίες ασφαλείας για τη λειτουργία



ΠΡΟΕΙΔΟΠΟΙΗΣΗ: Προτού χρησιμοποιήσετε το προϊόν, διαβάστε τις παρακάτω προειδοποιητικές οδηγίες.

- Χρησιμοποιήστε το προϊόν μόνο για τις εργασίες που αναφέρονται στο παρόν εγχειρίδιο. Ανατρέξτε στην ενότητα *Προβλεπόμενη χρήση στη σελίδα 65*.
- Μην χρησιμοποιείτε το προϊόν αν δεν είστε βέβαιοι ότι μπορείτε να το χειριστείτε.
- Μην χρησιμοποιείτε το προϊόν αυτό αν είστε κουρασμένοι, άρρωστοι ή υπό την επήρεια αλκοόλ, ναρκωτικών ή φαρμάκων. Αυτό μπορεί να μειώσει την όραση, την κρίση ή τον συντονισμό σας.
- Μην χρησιμοποιείτε το προϊόν αν δεν μπορείτε να λάβετε βοήθεια σε περίπτωση ατυχήματος.
- Μην χρησιμοποιείτε το προϊόν αν εμφανίζει σημάδια ζημιάς.
- Βεβαιωθείτε ότι το παρελκόμενο κοπής σταματά πάντοτε όταν ο κινητήρας/το μοτέρ λειτουργεί στο ρελαντί.
- Βεβαιωθείτε ότι δεν πλησιάζει κανείς σε απόσταση μικρότερη από 15 μέτρα/50 πόδια κατά τη διάρκεια της κοπής. Βεβαιωθείτε ότι στην περιοχή εργασίας βρίσκονται μόνο εξουσιοδοτημένα άτομα.

- Μην επιτρέπεται σε παιδιά να χρησιμοποιούν ή να πλησιάζουν το προϊόν.
- Διατηρείτε την περιοχή εργασίας καθαρή και φωτεινή. Μην χρησιμοποιείτε το προϊόν όταν επικρατούν δυσμενείς καιρικές συνθήκες, για παράδειγμα σε ομίχλη, έντονη βροχή, ισχυρούς ανέμους, έντονο κρύο ή όταν υπάρχει κίνδυνος πτώσης κεραυνών.
- Εάν κάποιο αντικείμενο πιαστεί στις λεπίδες κατά τη λειτουργία, σβήστε τον κινητήρα/το μοτέρ και περιμένετε μέχρι οι λεπίδες να σταματήσουν να κινούνται. Αφαιρέστε το καπάκι του μπουζί από το μπουζί/αφαιρέστε την μπαταρία. Τοποθετήστε το γερμανοπολύγωνο κλειδί στην υποδοχή του περιβλήματος γραναζιών για να μετακινήσετε τις λεπίδες, ανατρέξτε στην ενότητα *Ακόνισμα των λεπίδων στη σελίδα 73*.
- Εάν οι λεπίδες υποστούν ζημιά κατά τη λειτουργία, η επάνω και η κάτω λεπίδα μπορεί να πιαστούν μεταξύ τους. Μην αγγίζετε τις λεπίδες, καθώς μπορεί να μετακινηθούν ξαφνικά και να προκαλέσουν τραυματισμό.
- Βεβαιωθείτε ότι πατάτε σταθερά και με ασφάλεια κατά τη διάρκεια της λειτουργίας.
- Το προϊόν μπορεί να προκαλέσει την εκτίναξη αντικειμένων με μεγάλη ταχύτητα. Βεβαιωθείτε ότι όλα τα άτομα στην περιοχή εργασίας χρησιμοποιούν εγκεκριμένο προσωπικό εξοπλισμό προστασίας. Απομακρύνετε τα ελεύθερα αντικείμενα από την περιοχή εργασίας.
- Παρακολουθείτε την περιοχή εργασίας όταν φοράτε προστατευτικά ακοής. Αφαιρείτε πάντα τα προστατευτικά ακοής όταν σβήσει ο κινητήρας/το μοτέρ.
- Εάν το προϊόν έχει ασυνήθιστους κραδασμούς, σβήστε τον κινητήρα/το μοτέρ. Εάν διαθέτετε ένα βενζινοκίνητο προϊόν, αποσυνδέστε το καπάκι του μπουζί από το μπουζί. Εάν διαθέτετε ένα προϊόν που λειτουργεί με μπαταρία, αφαιρέστε την μπαταρία. Ελέγξτε αμέσως για να εντοπίσετε την αιτία. Οι κραδασμοί αποτελούν, συνήθως, προειδοποίηση για ζημιά.
- Μην απομακρύνετε από το προϊόν όταν ο κινητήρας/το μοτέρ είναι σε λειτουργία.
- Να κρατάτε το προϊόν και με τα 2 χέρια. Να κρατάτε το προϊόν στη δεξιά πλευρά του σώματός σας.

Χρησιμοποιήστε το προϊόν με το παρελκόμενο κοπής κάτω από τη μέση σας.



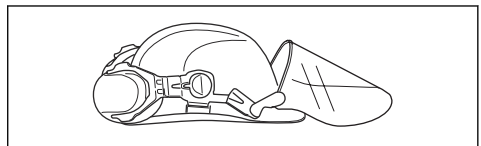
- Το παρελκόμενο κοπής πρέπει να λειτουργεί προς την αντίθετη κατεύθυνση από τη θέση όπου βρίσκεται ο χειριστής. Η κοπή προς την κατεύθυνση του χειριστή μπορεί να προκαλέσει σοβαρό τραυματισμό.
- Φροντίστε ώστε τα χέρια και τα πόδια σας να μην πλησιάζουν στις λεπίδες όταν λειτουργεί ο κινητήρας/το μοτέρ.

Προσωπικός εξοπλισμός προστασίας



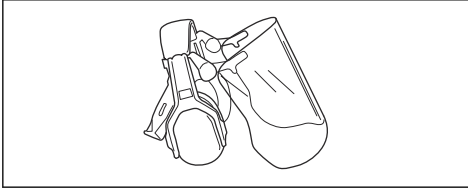
ΠΡΟΕΙΔΟΠΟΙΗΣΗ: Προτού χρησιμοποιήσετε το προϊόν, διαβάστε τις παρακάτω προειδοποιητικές οδηγίες.

- Όταν χρησιμοποιείτε το προϊόν, να φοράτε πάντα εγκεκριμένο προσωπικό εξοπλισμό προστασίας. Ο προσωπικός εξοπλισμός προστασίας δεν μπορεί να εξαλείψει τον κίνδυνο τραυματισμών, ωστόσο μειώνει τη σοβαρότητά τους σε περίπτωση ατυχήματος. Ο αντιπρόσωπος θα σας βοηθήσει να επιλέξετε το σωστό εξοπλισμό.
- Να χρησιμοποιείτε κράνος προστασίας στις περιπτώσεις όπου υπάρχει κίνδυνος πτώσης αντικειμένων.

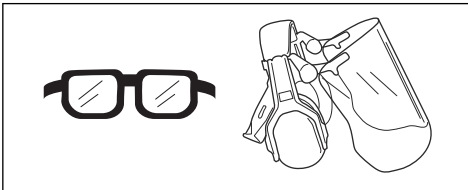


- Η μακροχρόνια έκθεση στο θόρυβο μπορεί να προκαλέσει βλάβη στην ακοή. Κατά κανόνα, τα προϊόντα που λειτουργούν με μπαταρία είναι σχετικά αθόρυβα αλλά μπορεί να προκληθεί βλάβη από τον συνδυασμό επιπέδου θορύβου και μακροχρόνιας χρήσης. Η Husqvarna συνιστά οι χειριστές να χρησιμοποιούν προστατευτικά ακοής όταν χειρίζονται προϊόντα για συνεχές διάστημα της ημέρας. Οι χρήστες που χρησιμοποιούν το προϊόν σε συνεχή και τακτική βάση πρέπει να ελέγχουν τακτικά την ακοή τους. Λάβετε υπόψη ότι τα προστατευτικά

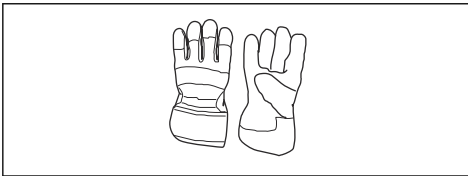
ακοής περιορίζουν τη δυνατότητα να ακούτε ήχους και προειδοποιητικά σήματα.



- Χρησιμοποιείτε εγκεκριμένη προστασία των ματιών. Εάν χρησιμοποιείτε προστατευτικό γέισο, πρέπει επίσης να χρησιμοποιείτε πάντα εγκεκριμένα προστατευτικά γυαλιά. Τα εγκεκριμένα προστατευτικά γυαλιά πρέπει να συμμορφώνονται με το πρότυπο ANSI Z87.1 στις Η.Π.Α. ή το πρότυπο EN 166 στις χώρες της Ε.Ε.



- Όταν χρειάζεται, χρησιμοποιείτε γάντια, για παράδειγμα κατά τον έλεγχο ή τον καθαρισμό του προϊόντος.

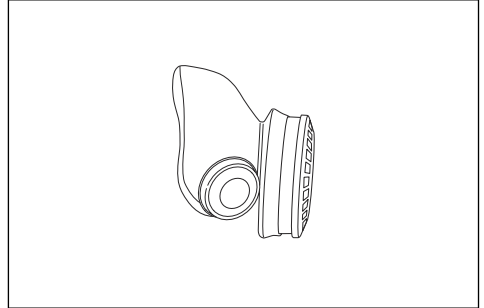


- Χρησιμοποιείτε μπότες προστασίας ή παπούτσια με αντιολισθητική σόλα.

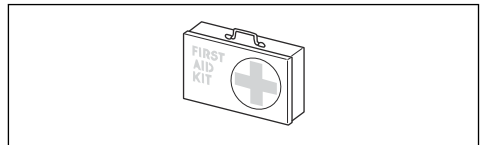


- Να φοράτε ρούχα από ανθεκτικό ύφασμα. Να φοράτε πάντα ανθεκτικό μακρύ παντελόνι και μακριά μανίκια. Να μην φοράτε φαρδιά ρούχα που μπορεί να πιαστούν σε κλωνάρια και κλαδιά. Μην φοράτε κοσμήματα, κοντά παντελόνια, ανοιχτά παπούτσια και μην είστε ξυπόλυτοι. Να δένετε τα μαλλιά σας καλά πάνω από το ύψος των ώμων.

- Χρησιμοποιείτε μέσα προστασίας αναπνοής όταν υπάρχει κίνδυνος σκόνης.



- Να φροντίζετε να υπάρχει εξοπλισμός πρώτων βοηθειών σε κοντινή απόσταση.



Συσκευές ασφαλείας στο παρελκόμενο



ΠΡΟΕΙΔΟΠΟΙΗΣΗ: Προτού χρησιμοποιήσετε το προϊόν, διαβάστε τις παρακάτω προειδοποιητικές οδηγίες.

Σε αυτήν την ενότητα περιγράφονται τα χαρακτηριστικά ασφαλείας του παρελκόμενου, ο σκοπός για τον οποίο προορίζεται και ο τρόπος διεξαγωγής των ελέγχων και της συντήρησης προκειμένου να εξασφαλιστεί η σωστή λειτουργία του. Διαβάστε τις οδηγίες κάτω από την επικεφαλίδα *Επισκόπηση παρελκόμενου κοπής στη σελίδα 65* για να μάθετε πού βρίσκονται αυτά τα εξαρτήματα στο παρελκόμενο.

Αν η συντήρηση δεν εκτελείται σωστά και αν το σέρβις ή/και οι επισκευές δεν εκτελούνται με επαγγελματικό τρόπο, μπορεί να μειωθεί η διάρκεια ζωής του παρελκόμενου και να αυξηθεί ο κίνδυνος ατυχημάτων. Εάν χρειαστείτε περισσότερες πληροφορίες, επικοινωνήστε με τον πλησιέστερο αντιπρόσωπο σέρβις.



ΠΡΟΕΙΔΟΠΟΙΗΣΗ: Μην χρησιμοποιείτε ποτέ ένα παρελκόμενο με ελαττωματικά εξαρτήματα ασφαλείας. Ο εξοπλισμός ασφαλείας του παρελκόμενου πρέπει να επιθεωρείται και να συντηρείται όπως περιγράφεται σε αυτήν την ενότητα. Εάν δεν εκτελεστεί με επιτυχία οποιοσδήποτε από αυτούς τους ελέγχους στο παρελκόμενο, επικοινωνήστε με τον αντιπρόσωπο σέρβις για επίσκεψη.



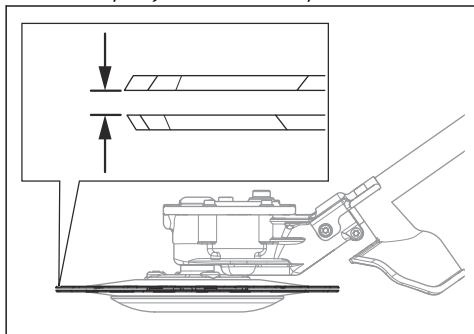
ΠΡΟΕΙΔΟΠΟΙΗΣΗ: Για όλες τις εργασίες σέρβις και επισκευής στο προϊόν απαιτείται ειδική εκπαίδευση. Αυτό ισχύει ιδιαίτερα για τον εξοπλισμό ασφαλείας του προϊόντος. Εάν το προϊόν δεν ολοκληρώσει επιτυχώς οποιοδήποτε από τους ελέγχους που περιγράφονται παρακάτω, πρέπει να επικοινωνήσετε με τον αντιπρόσωπο σέρβις. Όταν αγοράζετε οποιοδήποτε από τα προϊόντα μας, εγγυόμαστε τη διαθεσιμότητα επαγγελματικών επισκευών και σέρβις. Εάν το κατάστημα λιανικής πώλησης απ' όπου προμηθευτήκατε το προϊόν δεν είναι αντιπρόσωπος σέρβις, ζητήστε από το κατάστημα τη διεύθυνση του πλησιέστερου αντιπροσώπου σέρβις.

Έλεγχος του παρελκόμενου κοπής και του προστατευτικού του παρελκόμενου κοπής

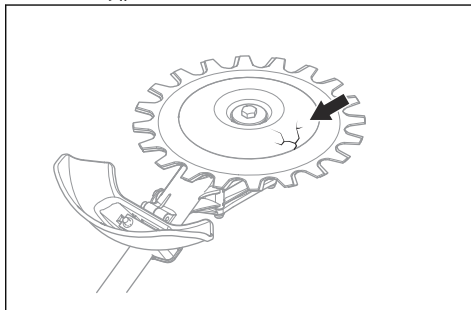


ΠΡΟΕΙΔΟΠΟΙΗΣΗ: Μην χρησιμοποιείτε το παρελκόμενο κοπής χωρίς εγκατερισμένο προφυλακτήρα. Εάν τοποθετηθεί λανθασμένο ή ελαττωματικό προστατευτικό στο παρελκόμενο κοπής, μπορεί να προκληθεί τραυματισμός.

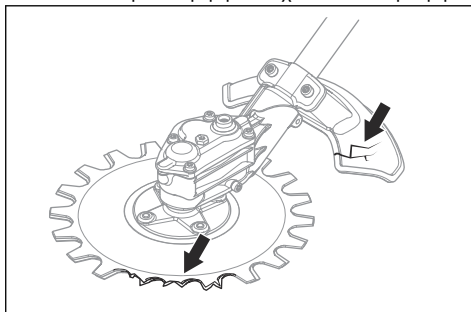
1. Σβήστε τον κινητήρα και βεβαιωθείτε ότι το παρελκόμενο κοπής σταματά.
2. Εάν διαθέτετε ένα βενζινοκίνητο προϊόν, αποσυνδέστε το καπάκι του μπουζι από το μπουζί. Εάν διαθέτετε ένα προϊόν που λειτουργεί με μπαταρία, αφαιρέστε την μπαταρία από το προϊόν.
3. Φορέστε προστατευτικά γάντια.
4. Βεβαιωθείτε ότι οι λεπίδες δεν έχουν υποστεί ζημιά. Αντικαταστήστε τις λεπίδες, εάν έχουν υποστεί ζημιά. Ανατρέξτε στην ενότητα *Αντικατάσταση των λεπίδων στη σελίδα 74*.
5. Ελέγξτε τις λεπίδες. Βεβαιωθείτε ότι δεν υπάρχει διάκενο μεταξύ των λεπίδων. Αν υπάρχει διάκενο μεταξύ των λεπίδων, οι λεπίδες πρέπει να ρυθμιστούν. Ανατρέξτε στην ενότητα *Ρύθμιση του διάκενου μεταξύ των λεπίδων στη σελίδα 75*.



6. Βεβαιωθείτε ότι το δοχείο στήριξης δεν έχει υποστεί ζημιά. Αντικαταστήστε το δοχείο στήριξης, αν έχει υποστεί ζημιά.



7. Βεβαιωθείτε ότι οι βίδες στο παρελκόμενο κοπής είναι σφιγμένες.
8. Βεβαιωθείτε ότι οι λεπίδες και το προστατευτικό του παρελκόμενου κοπής δεν έχουν υποστεί ζημιά. Αντικαταστήστε τα μέρη που έχουν υποστεί βλάβη.



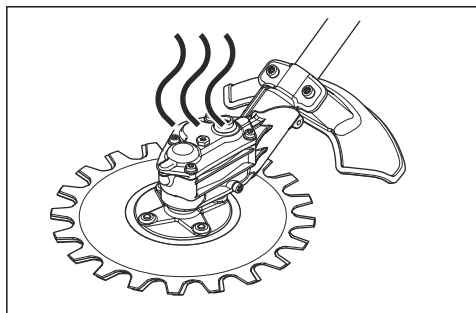
Οδηγίες ασφαλείας για τη συντήρηση



ΠΡΟΕΙΔΟΠΟΙΗΣΗ: Το παρελκόμενο κοπής μπορεί να συνεχίσει να περιστρέφεται αφού ελευθερωθεί το γκάζι/η σκανδάλη γκαζιού. Εάν διαθέτετε ένα βενζινοκίνητο προϊόν, αποσυνδέστε το καπάκι του μπουζι από το μπουζί. Εάν διαθέτετε ένα προϊόν που λειτουργεί με μπαταρία, αφαιρέστε την μπαταρία από το προϊόν. Προτού εκτελέσετε οποιαδήποτε εργασία συντήρησης, βεβαιωθείτε ότι το παρελκόμενο κοπής έχει σταματήσει εντελώς.



ΠΡΟΕΙΔΟΠΟΙΗΣΗ: Το περίβλημα γρναζιών αναπτύσσει υψηλή θερμοκρασία όταν το προϊόν βρίσκεται σε λειτουργία. Οι καυτές επιφάνειες μπορεί να προκαλέσουν έγκαυμα, συνεπώς μην αγγίζετε το περίβλημα γρναζιών.



- Κατά την επισκευή του παρελκόμενου κοπής, να φοράτε πάντα ανθεκτικά γάντια. Ο εξοπλισμός κοπής είναι εξαιρετικά αιχμηρός και μπορεί εύκολα να προκαλέσει τραυματισμούς.
- Χρησιμοποιείτε μόνο γνήσια ανταλλακτικά για τις επισκευές.

ΦΥΛΑΞΤΕ ΑΥΤΕΣ ΤΙΣ ΟΔΗΓΙΕΣ

Λειτουργία

Τεχνική εργασίας



ΠΡΟΕΙΔΟΠΟΙΗΣΗ: Μεταξύ του προστατευτικού και του παρελκόμενου κοπής μπορεί να πιαστούν κλαδιά ή γρασιδί. Σβήνετε πάντα τον κινητήρα/το μοτέρ προτού καθαρίσετε το παρελκόμενο κοπής.

- Ανοίξτε τέρμα το γκάζι όταν εκτελείτε κοπή και μειώστε τις στροφές στο ρελαντί μετά από κάθε κοπή.

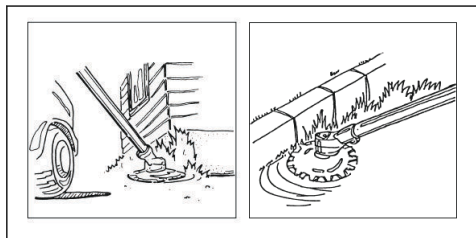


ΠΡΟΣΟΧΗ: Εάν ο κινητήρας/το μοτέρ λειτουργεί για πολύ μεγάλο διάστημα με τέρμα το γκάζι χωρίς φορτίο, μπορεί να υποστεί ζημιά.

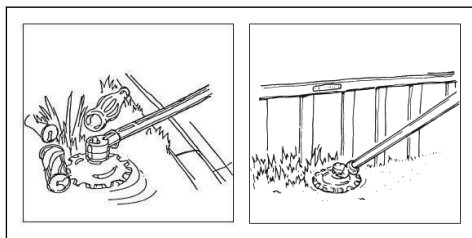
Συνιστώμενη χρήση για το παρελκόμενο κοπής

Οι λεπίδες του παρελκόμενου κοπής κινούνται σε μικρή γωνία και διαθέτουν τη δυνατότητα κοπής προς όλες τις κατευθύνσεις. Κινήστε το παρελκόμενο κοπής κατά μήκος του εδάφους, σε ύψος όπου το δοχείο στήριξης έρχεται σε επαφή με το έδαφος. Χρησιμοποιήστε το παρελκόμενο κοπής για κοπή στα εξής σημεία:

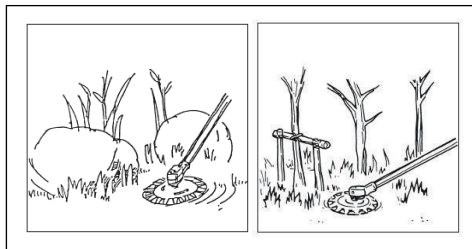
- Πάρκα και ρείθρα.



- Στο πλάι του δρόμου και κοντά σε φράκτες.



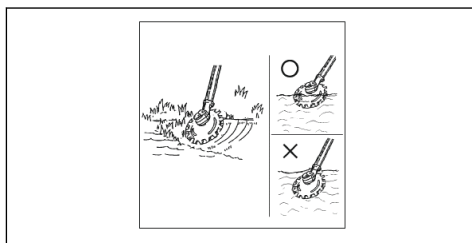
- Γύρω από πέτρες και δέντρα.



- Κοντά σε νερό.



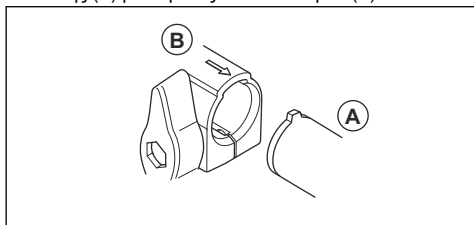
ΠΡΟΣΟΧΗ: Μην τοποθετείτε το περιβλημα γραναζιών μέσα στο νερό.



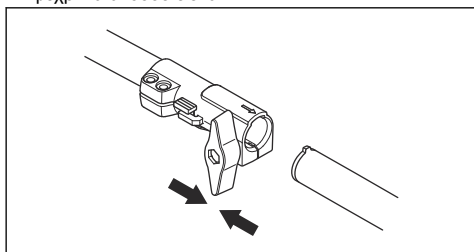
Συναρμολόγηση

Συναρμολόγηση του άξονα δύο τμημάτων

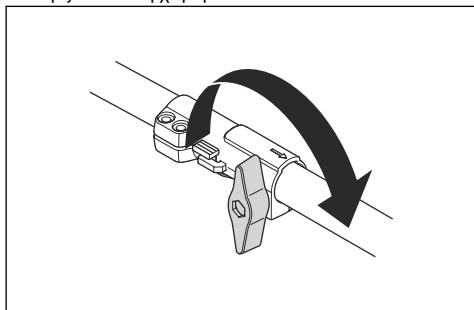
1. Περιστρέψτε τη χειρόβιδα για να χαλαρώσετε τον σύνδεσμο.
2. Ευθυγραμμίστε την προεξοχή του παρελκόμενου κοπής (A) με το βέλος του συνδέσμου (B).



3. Πιέστε προσεκτικά τον άξονα μέσα στο σύνδεσμο μέχρι να ακούσετε ένα κλικ.

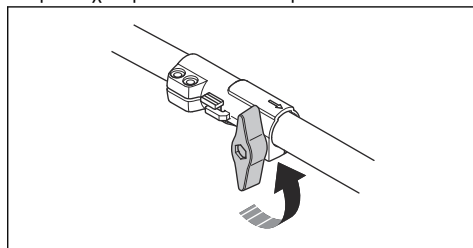


4. Σφίξτε καλά τη χειρόβιδα.

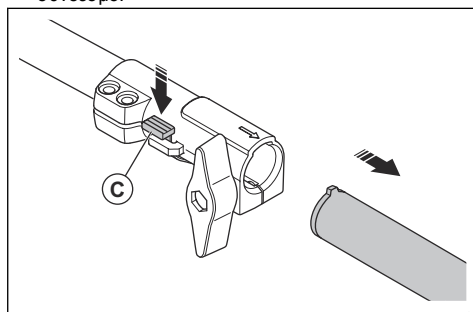


Αποσυναρμολόγηση του άξονα δύο τμημάτων

1. Περιστρέψτε τον τροχίσκο 3 ή περισσότερες φορές για να χαλαρώσετε τον σύνδεσμο.



2. Πιέστε και κρατήστε πατημένο το κουμπί (C).
3. Κρατήστε καλά το άκρο του άξονα όπου είναι προσαρτημένος ο κινητήρας.
4. Τραβήξτε το εξάρτημα κατευθείαν έξω από τον σύνδεσμο.



Συντήρηση

Εισαγωγή

Παρακάτω θα βρείτε ορισμένες γενικές οδηγίες συντήρησης. Εάν χρειαστείτε περισσότερες πληροφορίες, μπορείτε να επικοινωνήσετε με το συνεργείο της περιοχής σας.

Πρόγραμμα συντήρησης

Ακολουθεί μια λίστα με τα βήματα συντήρησης που πρέπει να εκτελούνται στο παρελκόμενο κοπή.

Περιεχόμενα Ο χειριστής πρέπει να εκτελεί μόνο τις εργασίες συντήρησης και σέρβις στο παρελκόμενο κοπή που υποδεικνύονται στο παρόν εγχειρίδιο

χρήσης. Οι υπόλοιπες εργασίες συντήρησης και σέρβις πρέπει να γίνονται από εγκεκριμένο συνεργείο.

Συντήρηση	Καθημερι νά	Κάθε εβδομάδα	Κάθε μήνα
Καθαρίστε τα εξωτερικά μέρη του προϊόντος.	X		
Βεβαιωθείτε ότι οι λεπίδες δεν έχουν υποστεί ζημιά. Αντικαταστήστε τις λεπίδες, εάν έχουν υποστεί ζημιά.	X		
Βεβαιωθείτε ότι ο προφυλακτήρας του παρελκόμενου κοπής δεν έχει υποστεί ζημιά. Αντικαταστήστε τον προφυλακτήρα του παρελκόμενου κοπής, αν έχει υποστεί ζημιά.	X		
Βεβαιωθείτε ότι το δοχείο στήριξης δεν έχει υποστεί ζημιά. Αντικαταστήστε το δοχείο στήριξης, αν έχει υποστεί ζημιά.	X		
Βεβαιωθείτε ότι οι βίδες και τα παξιμάδια είναι σφιγμένα.	X		
Γεμίστε το περιβλήμα γραναζιών με γράσο, περίπου κάθε 100 ώρες εργασίας.		X	

Καθαρισμός και λίπανση των λεπίδων

1. Απομακρύνετε από τις λεπίδες τυχόν ανεπιθύμητα υλικά πριν από και μετά τη χρήση του προϊόντος.
2. Λιπαίνετε τις λεπίδες πριν από μεγάλα χρονικά διαστήματα αποθήκευσης.

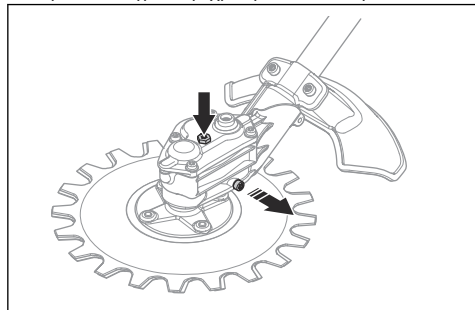
Περιεχόμενα Απευθυνθείτε στον αντιπρόσωπο σέρβις της περιοχής σας για περισσότερες πληροφορίες σχετικά με τα συνιστώμενα καθαριστικά και λιπαντικά.

Λίπανση του περιβλήματος γραναζιών



ΠΡΟΣΟΧΗ: Μην γεμίζετε εντελώς το περίβλημα γραναζιών. Αν το περίβλημα γραναζιών είναι γεμάτο, το γράσο μπορεί να προκαλέσει ζημιά στις τσιμούχες και να εμφανιστεί διαρροή.

1. Αφαιρέστε τις τάπες γράσου.
2. Προσθέστε γράσο μέχρι την επάνω οπή.



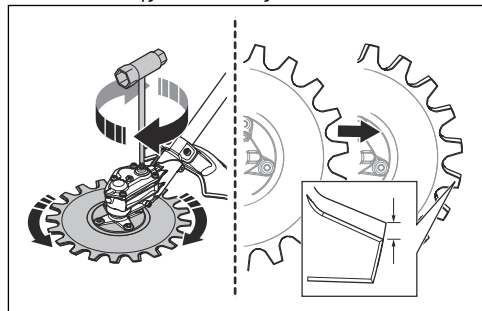
3. Τοποθετήστε τις τάπες γράσου.

Ακόνισμα των λεπίδων

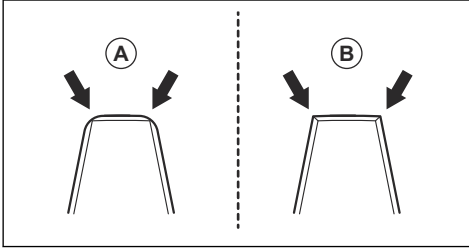


ΠΡΟΕΙΔΟΠΟΙΗΣΗ: Όταν κρατάτε τις λεπίδες, πρέπει να χρησιμοποιείτε προστατευτικά γάντια.

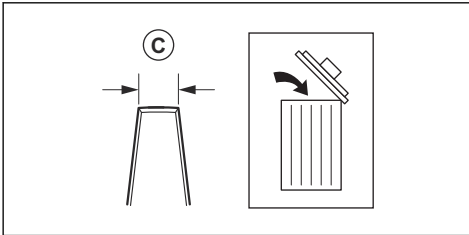
1. Τοποθετήστε το γερμανοπολύγωνο κλειδί στην υποδοχή του περιβλήματος γραναζιών.
2. Γυρίστε το γερμανοπολύγωνο κλειδί μέχρι να υπάρχει διαφορά 3 mm/0,12 ίντσας μεταξύ της επάνω και της κάτω λεπίδας.



3. Ακονίστε τις ακμές (B) στις οποίες έχετε πρόσβαση με ένα τριβείο. Φροντίστε να μην στρογγυλέψετε τις ακμές (A).



4. Γυρίστε το γερμανοπολύγωνο κλειδί προς την αντίθετη κατεύθυνση για να αποκτήσετε πρόσβαση στις αντίθετες ακμές.
5. Ακονίστε τις ακμές στις οποίες έχετε πρόσβαση με ένα τριβείο.
6. Αντικαταστήστε τις λεπίδες, όταν το πλάτος του δοντιού είναι μικρότερο από 8 mm/0,32 ίντσες (C).



Αντικατάσταση των λεπίδων



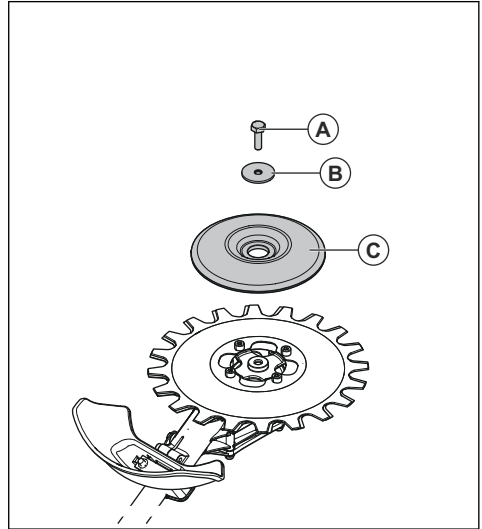
ΠΡΟΕΙΔΟΠΟΙΗΣΗ: Όταν κρατάτε τις λεπίδες, πρέπει να χρησιμοποιείτε προστατευτικά γάντια.



ΠΡΟΕΙΔΟΠΟΙΗΣΗ: Για να αποφύγετε τυχόν ανισορροπία και κραδασμούς στο προϊόν, καθαρίστε το παρελκόμενο κοπής κατά την αντικατάσταση των λεπίδων.

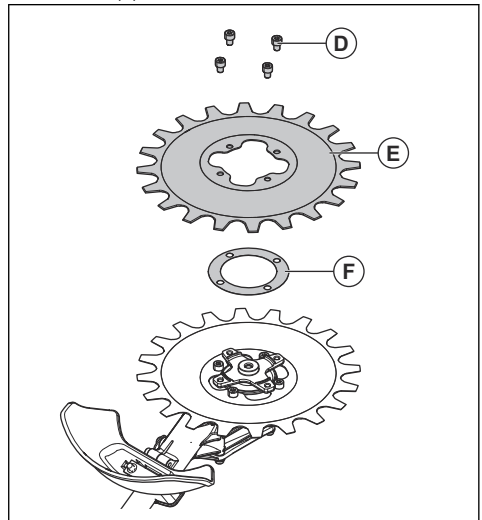
Περιεχόμενα Οι λεπίδες είναι εναλλάξιμες.

1. Αφαιρέστε την κεντρική βίδα (A), τη ροδέλα (B) και το δοχείο στήριξης (C).

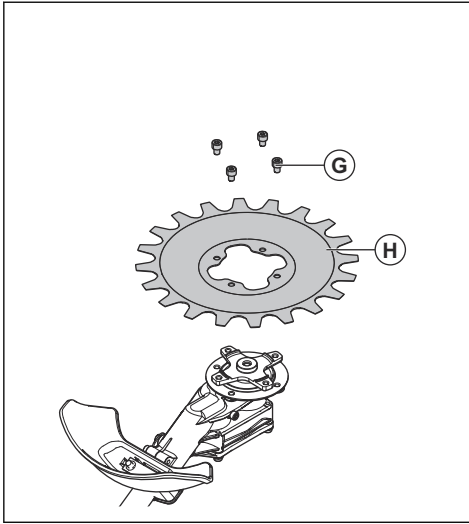


Περιεχόμενα Η κεντρική βίδα έχει αριστερόστροφο σπείρωμα

2. Αφαιρέστε τις 4 βίδες (D), την κάτω λεπίδα (E) και το δακτύλιο (F).



3. Αφαιρέστε τις 4 βίδες (G) και την επάνω λεπίδα (H).



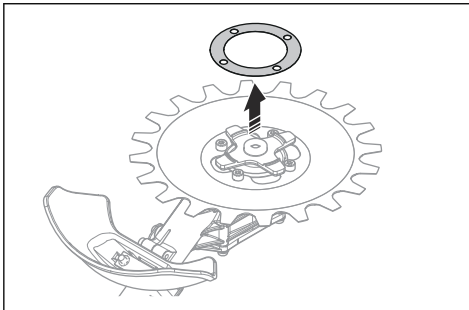
4. Τοποθετήστε τις λεπίδες με την αντίστροφη σειρά. Κατά την τοποθέτηση των λεπίδων, σφίξτε εξίσου τις βίδες.

Ρύθμιση του διάκενου μεταξύ των λεπίδων



ΠΡΟΕΙΔΟΠΟΙΗΣΗ: Όταν κρατάτε τις λεπίδες, πρέπει να χρησιμοποιείτε προστατευτικά γάντια.

1. Αφαιρέστε την κάτω λεπίδα, ανατρέξτε στην ενότητα *Αντικατάσταση των λεπίδων στη σελίδα 74*.
2. Αφαιρέστε το δακτύλιο.



Περιεχόμενα Αποθηκεύστε το δακτύλιο μέχρι την αντικατάσταση των λεπίδων.

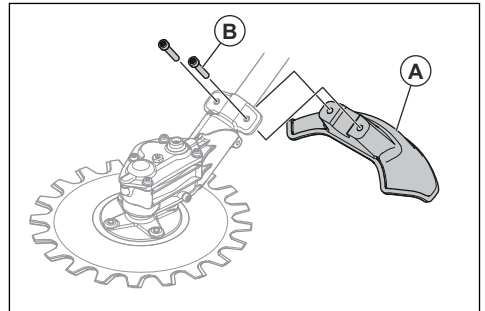
3. Τοποθετήστε την κάτω λεπίδα. Κατά την τοποθέτηση των λεπίδων, σφίξτε εξίσου τις βίδες.

Αντικατάσταση του προστατευτικού του παρελκόμενου κοπής



ΠΡΟΕΙΔΟΠΟΙΗΣΗ: Όταν κρατάτε τις λεπίδες, πρέπει να χρησιμοποιείτε προστατευτικά γάντια.

- Αφαιρέστε τις 2 βίδες (B) και το προστατευτικό του παρελκόμενου κοπής (A).
- Τοποθετήστε το νέο προστατευτικό του παρελκόμενου κοπής (A) με τις 2 βίδες (B). Σφίξτε εξίσου τις βίδες.



Μεταφορά, αποθήκευση και απόρριψη

Μεταφορά και αποθήκευση

- Βεβαιωθείτε ότι το προστατευτικό μεταφοράς είναι συνδεδεμένο σωστά στο παρελκόμενο κοπής όταν το

προϊόν δεν χρησιμοποιείται, μεταφέρεται ή είναι αποθηκευμένο.

- Διατηρείτε το παρελκόμενο κοπής σε κλειδωμένη περιοχή για να αποτρέψετε την πρόσβαση σε παιδιά ή μη γεκεκριμένα άτομα.

- Στερεώστε καλά το παρελκόμενο κοπής κατά τη μεταφορά για να αποφεύγετε την πρόκληση ζημιάς και ατυχημάτων.

- Βεβαιωθείτε ότι το παρελκόμενο κοπής είναι καθαρό και ότι έχει συντηρηθεί πλήρως προτού το αποθηκεύσετε για μεγάλο χρονικό διάστημα.

Τεχνικά στοιχεία

Τεχνικά στοιχεία

RA850	
Βάρος	
Βάρος, κιλά	2,5
Εκπομπές θορύβου¹⁶	
Στάθμη ηχητικής ισχύος, μετρούμενη τιμή σε dB (A)	102
Στάθμη ηχητικής ισχύος, εγγυημένη L_{WA} , dB (A)	105
Επίπεδα θορύβου¹⁷	
Ισοδύναμη στάθμη ηχητικής πίεσης στα αφτιά του χειριστή, μετρημένη κατά EN ISO 11806-1 και EN ISO 22868, dB(A)	
Εξοπλισμένο με εγκεκριμένο εξάρτημα (αυθεντικό)	90
Επίπεδα κραδασμών¹⁸	
Αντίστοιχα επίπεδα κραδασμών ($a_{hv,eq}$) στις χειρολαβές, μετρημένα κατά EN ISO 11806-1 και ISO 22867, m/s^2	
Εξοπλισμένο με εγκεκριμένο εξάρτημα (αυθεντικό), αριστερά/δεξιά	3,9/4,8
Λεπίδες	
Διάμετρος, mm	230
Ταχύτητα λεπίδας, κοπές/λεπτό	4600

¹⁶ Οι εκπομπές θορύβου στο περιβάλλον, οι οποίες μετρούνται ως ηχητική ισχύος (L_{WA}), σε συμμόρφωση με την Οδηγία 2000/14/ΕΚ. Η καταγεγραμμένη στάθμη ηχητικής ισχύος για το μηχάνημα έχει μετρηθεί με το αυθεντικό παρελκόμενο κοπής, που δίνει την υψηλότερη στάθμη. Η διαφορά μεταξύ της εγγυημένης και της μετρούμενης ηχητικής ισχύος είναι ότι η εγγυημένη ηχητική ισχύς περιλαμβάνει επίσης τη διασπορά στο αποτέλεσμα της μέτρησης και τις αποκλίσεις μεταξύ των διαφορετικών μηχανημάτων του ίδιου μοντέλου σύμφωνα με την Οδηγία 2000/14/ΕΚ.

¹⁷ Τα καταγεγραμμένα στοιχεία για την αντίστοιχη στάθμη ηχητικής πίεσης για το μηχάνημα έχουν μια τυπική στατιστική διασπορά (τυπική απόκλιση) της τάξης του 1 dB(A).

¹⁸ Τα καταγεγραμμένα στοιχεία για την ισοδύναμη στάθμη δονήσεων έχουν τυπική στατιστική διασπορά (τυπική απόκλιση) ίση με 1 m/s^2 .

Δήλωση Συμμόρφωσης ΕΚ

Δήλωση Συμμόρφωσης ΕΚ

Η **Husqvarna AB**, SE-561 82 Huskvarna, Σουηδία, τηλ.: +46-36-146500, δηλώνει ότι το reciprocator attachment **Husqvarna RA850** με αριθμούς σειράς έτους κατασκευής 2019 και έπειτα (το έτος αναγράφεται ευκρινώς στην πινακίδα στοιχείων μαζί με τον αριθμό σειράς), συμμορφώνεται με τις απαιτήσεις της ΟΔΗΓΙΑΣ ΤΟΥ ΣΥΜΒΟΥΛΙΟΥ:

- της 17ης Μαΐου 2006 "περί μηχανημάτων" **2006/42/ΕΚ**.
- της 8ης Ιουνίου 2011 "σχετικά με τον περιορισμό της χρήσης ορισμένων επικίνδυνων ουσιών σε είδη ηλεκτρικού και ηλεκτρονικού εξοπλισμού" **2011/65/ΕΕ**.
- της 8ης Μαΐου 2000 "περί εκπομπών θορύβου στο περιβάλλον" **2000/14/ΕΚ**. Αξιολόγηση της συμμόρφωσης σύμφωνα με το παράρτημα V. Για πληροφορίες σχετικά με τις εκπομπές θορύβου, βλ. το κεφάλαιο "Τεχνικά στοιχεία".

Εφαρμόστηκαν τα ακόλουθα πρότυπα:

EN ISO 11806-1:2011, EN 50581:2012

Η RISE SMP Svensk Maskinprovning AB, Box 7035, SE-750 07 Uppsala, Sweden έχει διεξαγάγει μια έγκριση εθελοντικού τύπου για λογαριασμό της Husqvarna AB. Οι αριθμοί των πιστοποιητικών είναι οι εξής: **SEC/19/2528**

Huskvarna, 2019-03-11



Per Gustafsson, Διευθυντής Ανάπτυξης
(Εξουσιοδοτημένος αντιπρόσωπος της Husqvarna AB
και υπεύθυνος για την τεχνική τεκμηρίωση)

Contenido

Introducción.....	78	Mantenimiento.....	85
Seguridad.....	80	Transporte, almacenamiento y eliminación.....	88
Funcionamiento.....	84	Datos técnicos.....	88
Montaje.....	85	Declaración CE de conformidad.....	90

Introducción

Uso previsto



ADVERTENCIA: El equipo de corte solo debe utilizarse junto con productos compatibles con él. Consulte el manual de usuario del producto.

El equipo de corte se utiliza para cortar hierba y ranas.

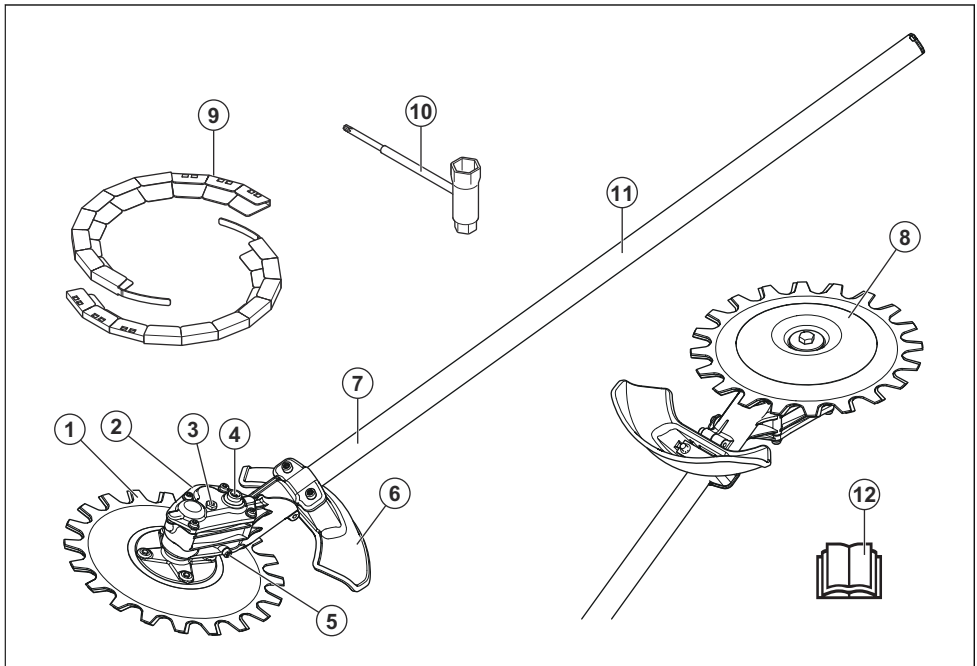
Nota: El uso de este producto podría estar regulado por la legislación nacional.

Descripción del producto

Trabajamos constantemente para perfeccionar nuestros productos y nos reservamos, por lo tanto, el derecho a introducir modificaciones en la construcción y el diseño sin previo aviso.

Nota: El presente manual trata tanto las unidades de alimentación de gasolina como las de batería.

Descripción del equipo de corte



1. Cuchilla
2. Carcasa de la caja de engranajes
3. Tapón de la grasa superior

4. Vaso para mover manualmente las cuchillas
5. Tapón de la grasa inferior
6. Protección del equipo de corte

7. Tubo
8. Cazoleta de apoyo
9. Protección para transportes
10. Llave combinada
11. Etiqueta adhesiva de información y advertencia
12. Manual de usuario

Símbolos que aparecen en el equipo y la unidad de alimentación



El uso descuidado o incorrecto de este equipo puede provocar heridas graves o mortales al operador o a otras personas.



Lea atentamente el manual de usuario y asegúrese de que entiende las instrucciones antes de utilizar el equipo.



Utilice un casco protector si trabaja en un lugar donde puedan caerle objetos. Utilice protección auditiva homologada. Utilice protección ocular homologada.



Utilice siempre guantes protectores homologados.



Utilice botas antideslizantes y seguras.



Número máximo de cortes por minuto.



Las flechas muestran los límites establecidos para la posición de la empuñadura.



El producto puede provocar que los objetos salgan despedidos y esto puede causar lesiones.



Mantenga siempre a las personas y animales a una distancia mínima de 15 m/50 pies durante el funcionamiento del producto.



El usuario debe asegurarse de que ninguna persona ni ningún animal se acerquen a menos de 15 metros. Cuando haya varios operarios trabajando en el mismo lugar de trabajo, la distancia de seguridad entre ellos debe ser de 15 metros. El equipo puede despedir objetos con mucha fuerza, y pueden rebotar. Si no se utiliza el equipo de seguridad recomendado, se pueden producir daños oculares graves.



Las emisiones sonoras en el entorno según la directiva de la Comunidad Europea. Las emisiones del equipo se indican en el capítulo *Datos técnicos en la página 88* y en la etiqueta.



Este equipo cumple con las directivas CE vigentes.



El producto cumple con las directivas EAC vigentes.



El producto cumple con las directivas ucranianas vigentes



El producto cumple con las directivas de compatibilidad electromagnética de Australia y Nueva Zelanda vigentes.

aaaassxxxx

En la etiqueta de serie se indica el número de serie. **aaaa** es el año de fabricación y **ss** es la semana de fabricación.

Nota: Los demás símbolos o etiquetas que aparecen en el equipo corresponden a requisitos de homologación específicos en determinados mercados.

UE V



ADVERTENCIA: La manipulación del motor anula la homologación de la UE de este producto.

INSTRUCCIONES DE SEGURIDAD IMPORTANTES

Definiciones de seguridad

Las advertencias, precauciones y notas se utilizan para destacar información especialmente importante del manual de usuario.



ADVERTENCIA: Indica un riesgo de lesiones o incluso de muerte del usuario o de las personas cercanas si no se respetan las instrucciones del manual.



PRECAUCIÓN: Indica un riesgo de daños en el producto o en el accesorio, otros materiales o el área adyacente si no se respetan las instrucciones del manual.

Nota: Se usa para proporcionar más información necesaria en una situación determinada.

Lea todas las instrucciones



ADVERTENCIA: Siempre que utilice máquinas eléctricas de jardinería, deberá adoptar precauciones básicas de seguridad para reducir el riesgo de incendio, descargas eléctricas, o lesiones personales, entre otras las siguientes:

Instrucciones generales de seguridad



ADVERTENCIA: Lea las siguientes instrucciones de seguridad antes de utilizar el equipo.

- Lea detenidamente el manual de instrucciones y asegúrese de entender su contenido antes de utilizar el equipo.
- Estas instrucciones complementan las instrucciones que se incluyen con el producto. Para otros procedimientos, consulte las instrucciones de operación del producto.
- Bajo ninguna circunstancia debe modificarse la configuración original del equipo sin autorización del fabricante. No utilice un equipo que parezca haber sido modificado por otras personas y emplee siempre accesorios originales. Las modificaciones y/o la utilización de accesorios no autorizadas

pueden ocasionar accidentes graves o incluso la muerte del operario o de terceros.

- La sobreexposición a las vibraciones puede provocar problemas circulatorios y dolencias de carácter nervioso, especialmente en personas con patologías circulatorias. Acuda a un médico si nota síntomas corporales que puedan relacionarse con la sobreexposición a las vibraciones. Ejemplos de tales síntomas son la pérdida de sensibilidad, el hormigueo, las «punzadas», el dolor, la pérdida o reducción de la fuerza normal o los cambios en el color y la superficie de la piel. Estos síntomas se presentan normalmente en dedos, manos y muñecas. Los síntomas pueden aumentar en temperaturas frías.

Instrucciones de seguridad para el funcionamiento



ADVERTENCIA: Lea las siguientes instrucciones de advertencia antes de utilizar el producto.

- Utilice el producto solo para las operaciones indicadas en este manual. Consulte la sección *Uso previsto en la página 78*.
- No utilice el producto si no está seguro de saber hacerlo.
- No utilice este producto si está cansado, enfermo o se encuentra bajo los efectos de alcohol, drogas o medicamentos, ya que puede disminuir su agudeza visual, capacidad de discernimiento o coordinación.
- No utilice el producto si no puede recibir ayuda en caso de accidente.
- No utilice el producto si presenta signos de daños.
- Asegúrese de que el equipo de corte se detenga siempre que el motor se encuentre a ralentí.
- Asegúrese de que ninguna persona se acerque a menos de 15 m (50 pies) durante el corte. Asegúrese de que solo haya personas autorizadas en la zona de trabajo.
- No permita que los niños usen ni se aproximen al producto.
- Mantenga la zona de trabajo limpia y despejada. No utilice el producto en condiciones climáticas desfavorables, por ejemplo, con niebla, lluvia intensa, vientos fuertes, frío intenso, posibilidad de relámpagos, etc.
- Si algún elemento quedase atascado en las cuchillas durante el uso, pare el motor y espere a que las cuchillas dejen de moverse. Desmonte el sombrerete de buja de la bujía o retire la batería. Coloque la llave combinada en el vaso de la caja de engranajes para mover las cuchillas; consulte *Afiladura de las cuchillas en la página 86*.

- Si las cuchillas sufrieran daños durante el uso, las cuchillas superior e inferior pueden quedar atrapadas la una contra la otra. No toque las cuchillas: pueden moverse súbitamente y causar lesiones.
- Mantenga siempre una posición estable y segura mientras realiza la actividad.
- El producto puede provocar que salgan objetos despedidos a gran velocidad. Asegúrese de que todas las personas presentes en la zona de trabajo utilicen los correspondientes equipos de protección personal autorizados. Retire los objetos sueltos de la zona de trabajo.
- Supervise la zona de trabajo mientras lleva puestos protectores auriculares. Quítelos siempre los protectores auriculares en cuanto se detenga el motor.
- Si el producto presenta vibraciones anómalas, detenga el motor. Si posee un producto con gasolina, desmonte el sombrerete de bujía de la bujía. Si posee un producto con batería, extráigala. Efectúe una comprobación de inmediato para averiguar la causa. La vibración suele ser un síntoma de la existencia de daños.
- No deje desatendido el producto con el motor encendido.
- Sujete el producto con las 2 manos. Mantenga el producto en el lado derecho del cuerpo. Utilice el producto con el equipo de corte por debajo de la cadera.



- El equipo de corte debe utilizarse en sentido opuesto al usuario. Cortar en sentido al usuario puede provocar daños graves.
- Asegúrese de mantener las manos y los pies alejados de las cuchillas mientras el motor está en marcha.

Equipo de protección personal

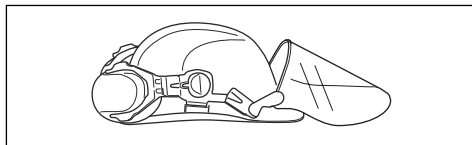


ADVERTENCIA: Lea las siguientes instrucciones de advertencia antes de utilizar el producto.

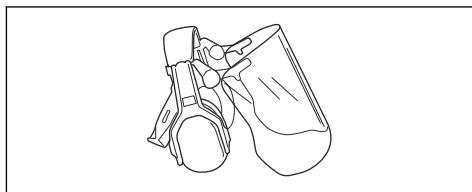
- Para trabajar con el producto, debe utilizar siempre un equipo de protección personal homologado. El equipo de protección personal no elimina

completamente el riesgo de lesiones, pero reduce la gravedad de las lesiones en caso de accidente. Deje que el distribuidor le ayude a seleccionar el equipo adecuado.

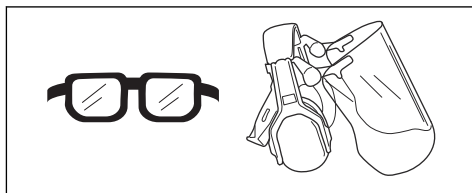
- Use un casco protector cuando exista el riesgo de que caigan objetos.



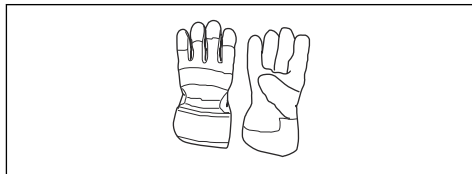
- La exposición prolongada al ruido puede causar daños en el oído. En general, los productos con batería son relativamente silenciosos, pero pueden causar daños debido al nivel de ruido y a un uso prolongado. Husqvarna recomienda que los operarios utilicen protectores auriculares al trabajar con el producto durante varias horas al día. Los usuarios que trabajen de forma continua y frecuente con el producto deben someterse a chequeos auditivos con carácter periódico. Tenga en cuenta que los protectores auditivos reducen la capacidad de escuchar sonidos y señales de advertencia.



- Utilice protección ocular homologada. Si se utiliza visor, deben utilizarse también gafas protectoras homologadas. Por gafas protectoras homologadas se entienden las que cumplen con la norma ANSI Z87.1 para EE. UU. o EN 166 para países de la UE.



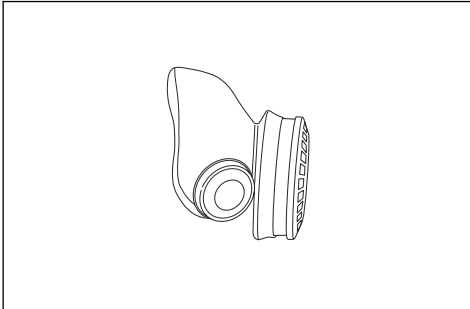
- Utilice guantes cuando sea necesario, por ejemplo, para la inspección del producto.



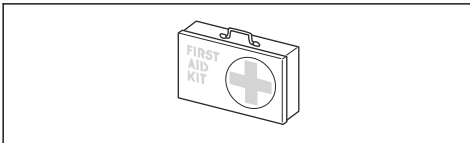
- Utilice botas o zapatos de protección con suela antideslizante.



- Use indumentaria de material resistente. Use siempre pantalones largos y gruesos, y mangas largas. No lleve ropa suelta que pueda quedar atrapada en los arbustos y ramas. No trabaje con joyas, pantalones cortos, calzado abierto ni los pies descalzos. Recójase el pelo de forma segura por encima de los hombros.
- Utilice una máscara de protección respiratoria en caso de existir riesgo de polvo.



- Mantenga el equipo de primeros auxilios cerca.



Dispositivos de seguridad en el equipo



ADVERTENCIA: Lea las siguientes instrucciones de advertencia antes de utilizar el equipo.

En este capítulo, se describen los componentes de seguridad del equipo, su función y el modo de efectuar el control y el mantenimiento para garantizar un funcionamiento óptimo. Consulte las instrucciones bajo el título *Descripción del equipo de corte en la página 78* para ver dónde están situados estos componentes en su equipo.

La vida útil del equipo puede acortarse y el riesgo de accidentes puede aumentar si el mantenimiento no se hace de forma adecuada y si los trabajos de servicio y reparación no se efectúan de forma profesional. Si

necesita más información, solicítela al distribuidor de su zona



ADVERTENCIA: No emplee nunca un equipo con componentes de seguridad defectuosos. Efectúe la inspección y el mantenimiento de los componentes de seguridad del equipo tal como se describe en este apartado. Si el equipo no supera cualquiera de estas pruebas, póngase en contacto con el taller de servicio para repararlo.



ADVERTENCIA: Todos los trabajos de servicio y reparación del producto requieren una formación especial. Esto es especialmente cierto en lo que respecta al equipo de seguridad del producto. Si el producto no pasa alguno de los controles indicados a continuación, acuda a su taller de servicio. La compra de alguno de nuestros productos le garantiza que puede recibir un mantenimiento y servicio profesional. Si no ha adquirido el producto en una de nuestras tiendas especializadas con servicio, solicite información sobre el taller de servicio más cercano.

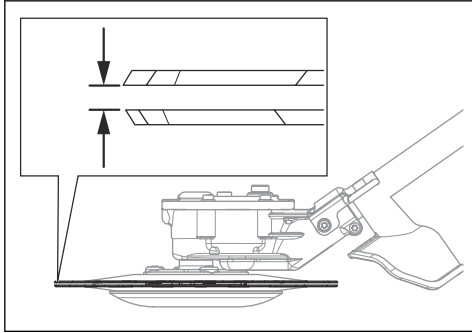
Inspección del equipo de corte y la protección del equipo de corte



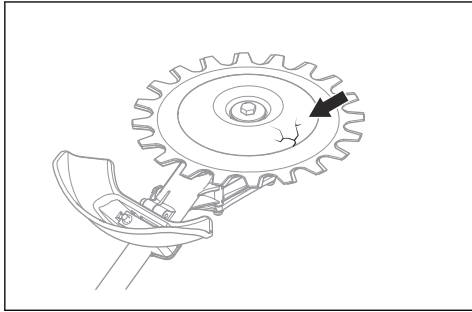
ADVERTENCIA: No utilice un equipo de corte si no está equipado con una protección homologada. Si se instala una protección del equipo de corte incorrecta o defectuosa, pueden producirse lesiones.

1. Pare el motor y asegúrese de que el equipo de corte se detiene.
2. Si posee un producto con gasolina, desmonte el sombrerete de bujía de la bujía. Si posee un producto con batería, extraígalas del producto.
3. Use guantes protectores.
4. Compruebe que las cuchillas no estén dañadas. Cambie las cuchillas si están dañadas. Consulte la sección *Sustitución de las cuchillas en la página 87*.

5. Examine las cuchillas. Asegúrese de que no haya holgura entre las cuchillas. Si hubiera holgura entre las cuchillas, sería necesario ajustarlas. Consulte la sección *Ajuste de la holgura entre las cuchillas en la página 87*.

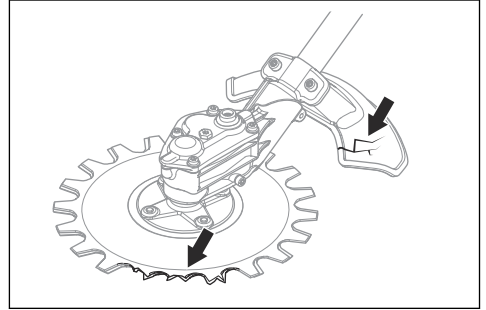


6. Asegúrese de que la cazoleta de apoyo no esté dañada. Sustituya la cazoleta de apoyo si está dañada.



7. Asegúrese de que los tornillos del equipo de corte estén apretados.

8. Asegúrese de que ni las cuchillas ni la protección del accesorio de corte estén dañadas. Sustituya las piezas dañadas.



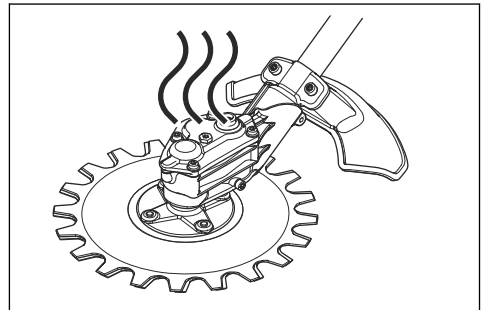
Instrucciones de seguridad para el mantenimiento



ADVERTENCIA: El equipo de corte puede continuar girando tras haber soltado el acelerador o el gatillo de alimentación. Si posee un producto con gasolina, desmonte el sombrerete de bujía de la bujía. Si posee un producto con batería, extráigala del producto. Asegúrese de que el equipo de corte se haya detenido por completo antes de realizar tareas de mantenimiento.



ADVERTENCIA: La caja de engranajes se calienta a temperaturas elevadas durante el uso del producto. Las superficies a altas temperaturas pueden producir quemaduras: no toque la caja de engranajes.



- Utilice siempre guantes resistentes durante la realización de reparaciones en el equipo de corte. El equipo de corte es muy afilado y puede producir cortes con facilidad.

GUARDE ESTAS INSTRUCCIONES

- Para las reparaciones, utilice solamente repuestos originales.

Funcionamiento

Técnicas de trabajo



ADVERTENCIA: Pueden quedar ramas o hierba atrapadas entre la protección del equipo de corte y el equipo de corte. Pare siempre el motor antes de limpiar el equipo de corte.

- Al cortar, acelere al máximo; una vez que finalice el corte, reduzca el régimen hasta llegar a ralentí.

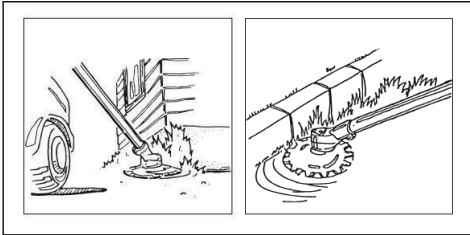


PRECAUCIÓN: El motor puede resultar dañado si se mantiene en marcha con la aceleración máxima sin carga durante demasiado tiempo.

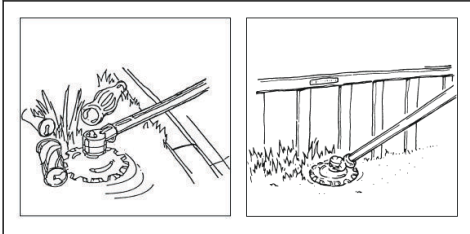
Recomendaciones de uso del equipo de corte

Las cuchillas del equipo de corte se mueven inclinadas en un ángulo poco pronunciado y pueden cortar en todas direcciones. Traslade el equipo de corte por el suelo a una altura en la que la cazoleta de apoyo esté en contacto con este. Utilice el equipo de corte para realizar cortes en las siguientes zonas:

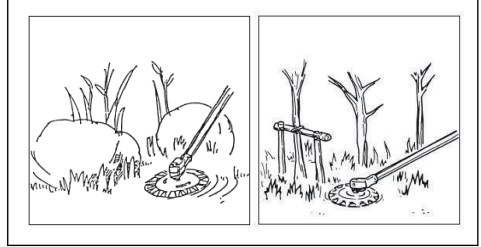
- Parques y bordes colindantes con calzadas.



- Arcenes y en las proximidades de vallas.



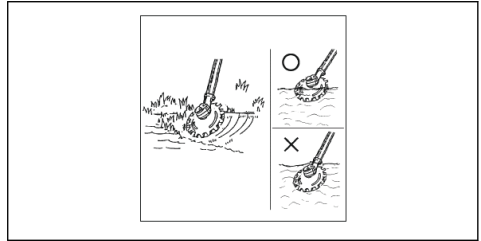
- Alrededor de piedras, rocas y árboles.



- En las proximidades de zonas con agua.



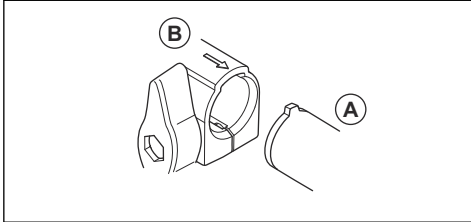
PRECAUCIÓN: La caja de engranajes no debe sumergirse en agua.



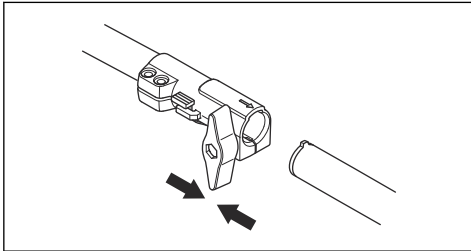
Montaje

Montaje del tubo de dos piezas

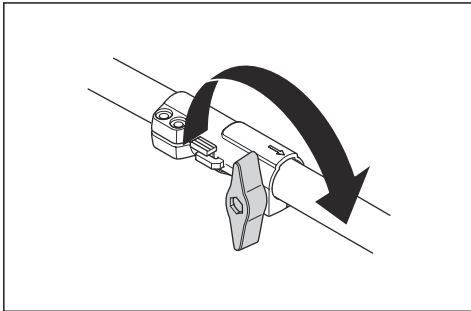
1. Gire la mariposa para aflojar el acoplamiento.
2. Alinee la lengüeta del equipo de corte (A) con la flecha del acoplamiento (B).



3. Empuje cuidadosamente el tubo en el acoplamiento hasta que oiga un clic.

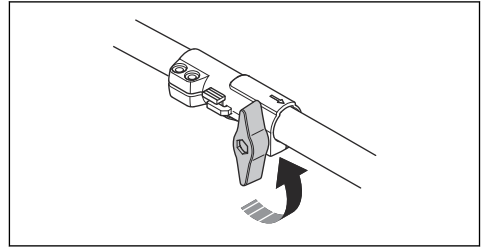


4. Apriete la mariposa por completo.

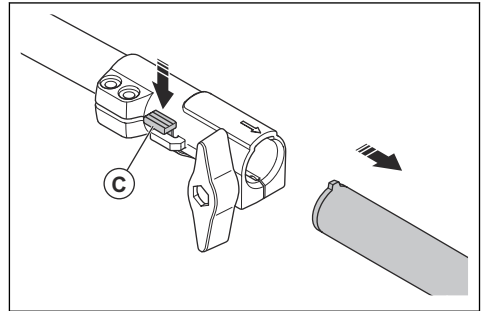


Desmontaje del tubo de dos piezas

1. Gire la mariposa 3 vueltas o más para aflojar el acoplamiento.



2. Mantenga presionado el botón (C).
3. Sujete firmemente el extremo del tubo en que está el motor.
4. Tire del accesorio para retirarlo del acoplamiento.



Mantenimiento

Introducción

A continuación, se indican algunas instrucciones generales de mantenimiento. Si Ud. necesita mayor información póngase en contacto con el taller de servicio.

Programa de mantenimiento

A continuación se indica una lista de los pasos de mantenimiento que hay que efectuar en el equipo de corte.

Nota: El usuario debe realizar solo aquellas tareas de mantenimiento y reparaciones en el equipo de corte que se indiquen en el presente manual. Todas las demás tareas de mantenimiento y reparación deben llevarse a cabo en un taller de servicio.

Mantenimiento	Diario	Semanal	Mensual
Inspeccione los componentes externos del producto.	X		
Compruebe que las cuchillas no estén dañadas. Cambie las cuchillas si están dañadas.	X		
Asegúrese de que la protección del equipo de corte no esté dañada. Si la protección del equipo de corte está dañada, cámbiela.	X		
Asegúrese de que la cazoleta de apoyo no esté dañada. Sustituya la cazoleta de apoyo si está dañada.	X		
Asegúrese de que los tornillos y las tuercas están bien apretados.	X		
Llene de grasa la caja de engranajes aproximadamente cada 100 horas de trabajo.		X	

Limpieza y lubricación de las cuchillas

1. Elimine los materiales no deseados de las hojas antes y después de usar el producto.
2. Lubrique las hojas antes de guardar la máquina durante un periodo prolongado.

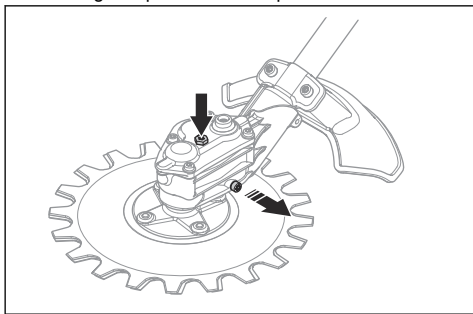
Nota: Póngase en contacto con su distribuidor para obtener más información sobre los productos de limpieza y los lubricantes recomendados.

Para lubricar la caja de engranajes



PRECAUCIÓN: No llene completamente la caja de engranajes. Si la caja de engranajes estuviera llena, la grasa puede dañar las juntas y provocar fugas.

1. Retire los tapones de la grasa.
2. Añada grasa por el orificio superior.



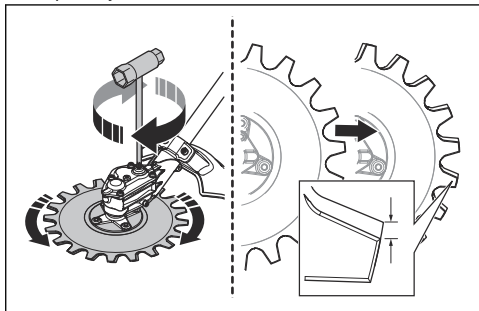
3. Coloque los tapones de la grasa.

Afiladura de las cuchillas

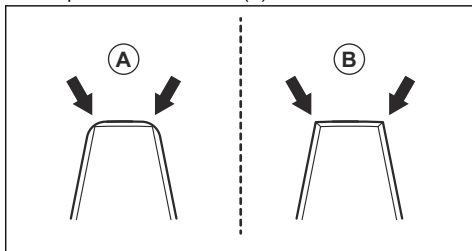


ADVERTENCIA: Utilice guantes protectores al sostener las cuchillas.

1. Coloque la llave combinada en el vaso de la caja de engranajes.
2. Gire la llave combinada hasta que haya una diferencia de 3 mm (0,12 pulgadas) entre la cuchilla superior y la cuchilla inferior.

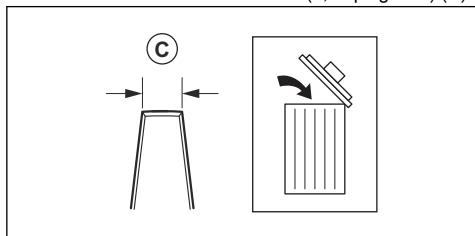


3. Con una amoladora, afile aquellos bordes (B) a los que pueda acceder. Asegúrese de que los bordes no queden redondeados (A).



4. Gire la llave combinada en sentido opuesto para poder acceder a los bordes opuestos.
5. Con una amoladora, afile aquellos bordes a los que pueda acceder.

6. Cambie las cuchillas cuando la anchura de la herramienta sea inferior a 8 mm (0,32 pulgadas) (C).



Sustitución de las cuchillas



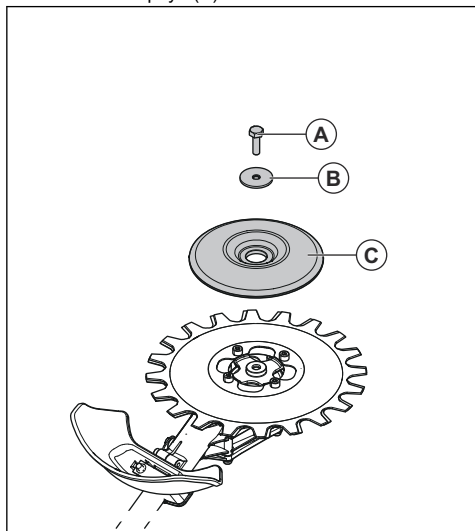
ADVERTENCIA: Utilice guantes protectores al sostener las cuchillas.



ADVERTENCIA: Para evitar desequilibrios y vibraciones en el producto, limpie el equipo de corte tras sustituir las cuchillas.

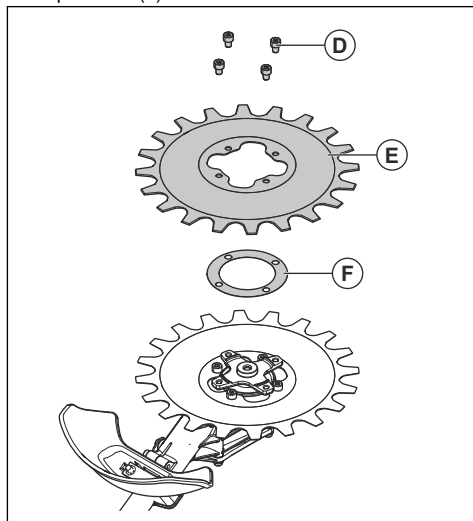
Nota: Las cuchillas son intercambiables entre sí.

1. Retire el tornillo central (A), la arandela (B) y la cazoleta de apoyo (C).

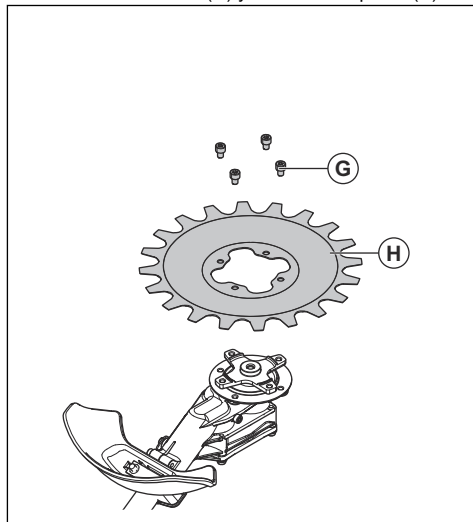


Nota: El tornillo central tiene rosca a izquierdas.

2. Retire los 4 tornillos (D), la cuchilla inferior (E) y el suplemento (F).



3. Retire los 4 tornillos (G) y la cuchilla superior (H).



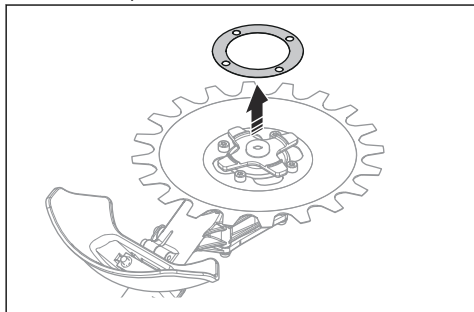
4. Instale las cuchillas en orden inverso al de desmontaje. Apriete los tornillos uniformemente tras instalar las cuchillas.

Ajuste de la holgura entre las cuchillas



ADVERTENCIA: Utilice guantes protectores al sostener las cuchillas.

1. Retire la cuchilla inferior; consulte *Sustitución de las cuchillas en la página 87*.
2. Retire el suplemento.



Nota: Guarde el suplemento hasta que llegue el momento de cambiar las cuchillas.

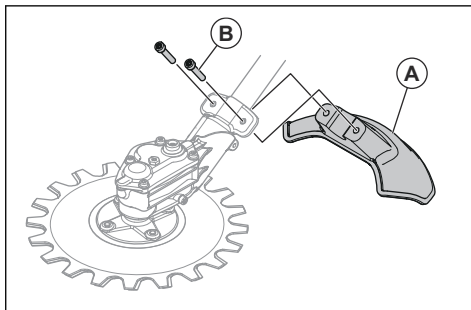
3. Instale la cuchilla inferior. Apriete los tornillos uniformemente tras instalar las cuchillas.

Sustitución de la protección del equipo de corte



ADVERTENCIA: Utilice guantes protectores al sostener las cuchillas

- Retire los 2 tornillos (B) y la protección del equipo de corte (A).
- Instale la nueva protección del equipo de corte (A) con los 2 tornillos (B). Apriete los tornillos uniformemente.



Transporte, almacenamiento y eliminación

Transporte y almacenamiento

- Asegúrese de que la protección para transportes esté correctamente colocada en el equipo de corte cuando el producto no vaya a utilizarse o durante su transporte o almacenamiento.
- Mantenga el equipo de corte en una zona bloqueada para impedir el acceso a niños o personas no autorizadas.

- Amarre el equipo de corte con las debidas condiciones de seguridad durante su transporte para evitar daños y accidentes.
- Asegúrese de que el equipo de corte esté limpio y de haber realizado todas las pertinentes tareas de mantenimiento antes de guardarlo durante periodos prolongados.

Datos técnicos

Datos técnicos

RA850	
Peso	
Peso, kg	2,5

RA850	
Emisiones de ruido¹⁹	
Nivel de potencia acústica medida, dB(A)	102
Nivel de potencia acústica garantizado L_{WA} , dB(A)	105
Niveles de ruido²⁰	
Nivel de presión sonora equivalente en el oído del usuario, medido conforme a EN ISO 11806-1 y EN ISO 22868, dB(A)	
Equipado con accesorio homologado (original)	90
Niveles de vibraciones²¹	
Niveles de vibración equivalentes ($a_{hv,eq}$) en el manillar, medidos según la norma EN ISO 11806-1 e ISO 22867, m/s^2	
Equipado con accesorio homologado (original), izquierda/derecha	3,9/4,8
Cuchillas	
Diámetro, mm	230
Velocidad de la cuchilla, corte/min.	4600

¹⁹ Emisiones sonoras en el entorno medidas como potencia acústica (L_{WA}) según la directiva 2000/14/CE. El nivel referido de potencia sonora de la máquina se ha medido con el equipo de corte original que produce el nivel más elevado. La diferencia entre la potencia sonora garantizada y medida es que la potencia sonora garantizada también incluye la dispersión en el resultado de la medición y las variaciones entre diferentes máquinas del mismo modelo, según la directiva 2000/14/CE.

²⁰ Los datos referidos del nivel de presión sonora equivalente de la máquina tienen una dispersión estadística habitual (desviación típica) de 1 dB (A).

²¹ Los datos referidos al nivel de vibración tienen una dispersión estadística habitual (desviación estándar) de 1 m/s^2 .

Declaración CE de conformidad

Declaración de conformidad CE

Husqvarna AB, SE-561 82 Huskvarna (Suecia), tel.: +46-36-146500, declara que el producto reciprocator attachment **Husqvarna RA850** a partir del número de serie del año 2019 (el año se indica claramente en la placa de características, seguido del número de serie) cumple con las disposiciones de la DIRECTIVA DEL CONSEJO:

- de 17 de mayo de 2006 "relativa a máquinas", **2006/42/CE**.
- De 8 de junio de 2011 "sobre restricciones de utilización de determinadas sustancias peligrosas en aparatos eléctricos y electrónicos" **2011/65/UE**.
- de 8 de mayo de 2000 "relativa a emisiones sonoras en el entorno", **2000/14/CE**. Declaración de conformidad efectuada conforme al anexo V. Para obtener información respecto a las emisiones sonoras, consulte el capítulo sobre datos técnicos.

Se han aplicado las normas siguientes:

EN ISO 11806-1:2011, EN 50581:2012

RISE SMP Svensk Maskinprovning AB, Box 7035, SE-750 07 Uppsala, Sweden ha llevado a cabo la homologación de tipo voluntario para Husqvarna AB. Los certificados tienen el número: **SEC/19/2528**

Huskvarna, 2019-03-11



Per Gustafsson, director de desarrollo (representante autorizado de Husqvarna AB y responsable de la documentación técnica)

Sisukord

Sissejuhatus.....	91	Hooldamine.....	98
Ohutus.....	93	Transportimine, hoiulepanek ja utiliseerimine.....	100
Töö.....	96	Tehnilised andmed.....	101
Kokkupanek.....	97	EÜ vastavusdeklaratsioon.....	102

Sissejuhatus

Kasutusotstarve



HOIATUS: Lõikeosa tohib kasutada ainult koos ühilduvate toodetega. Vaadake teavet toote kasutusjuhendist.

Lõikeosa kasutatakse muru ja okste lõikamiseks.

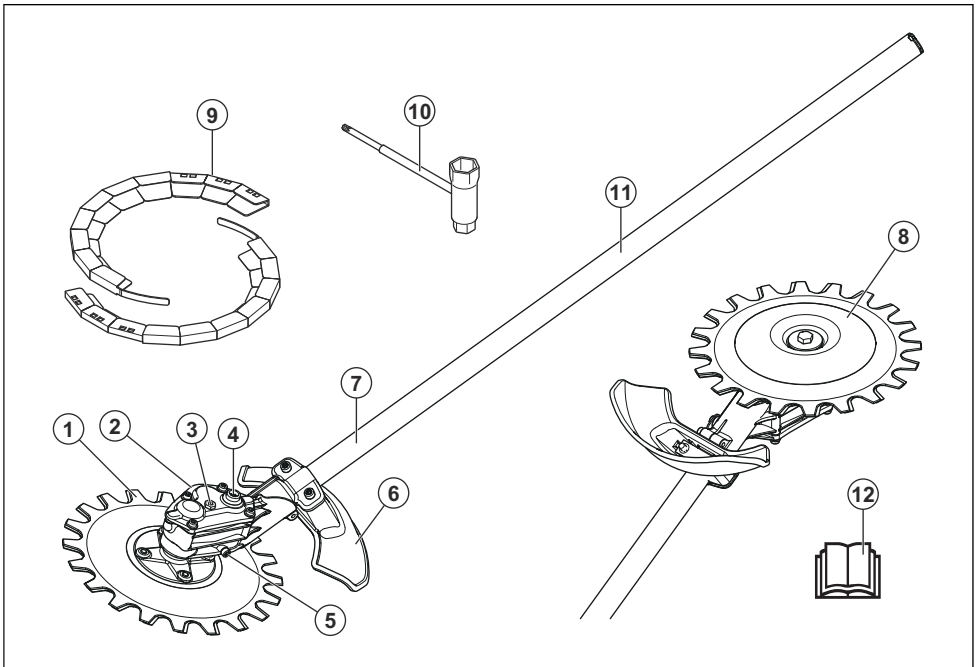
Märkus: Riiklikud õigusaktid võivad selle toote kasutamist piirata.

Toote kirjeldus

Tegeleme pidevalt oma toodete edasiarendamisega ning seetõttu jätame endale õiguse muuta toodete disaini ja välimust ilma sellest ette teatamata.

Märkus: Selles juhendis käsitletakse nii bensiini- kui ka akutoitega jõuseadmeid.

Lõikeosa ülevaade



1. Lõikeetera
2. Ülekanne
3. Ülemine määrdekork
4. Pesa lõiketerade käsitsi liigutamiseks
5. Ülemine määrdekork
6. Lõikepea kaitse
7. Vars
8. Tugikuppel

9. Transportkaitse
10. Lehtsilmsuvõti
11. Teavitamis- ja hoiatustähised.
12. Kasutusjuhend

Lisatarvikul ja jõuseadmel olevad sümbolid



Selle löikeosa hooletu või väär käsitsemine võib põhjustada operaatori või teiste isikute vigastuse või hukkamise.



Lugege enne löikeosa kasutamist kasutusjuhend tähelepanelikult läbi ja veenduge, et oleksite juhistest aru saanud.



Kohtades, kus teile võib peale kukkuda esemeid, kasutage kaitsekiivrit. Kandke heakskiidetud kõrvaklappe. Kandke heakskiidetud kaitseprille.



Kasuta alati heakskiidetud kaitsekindaid.



Kandke tugevaid, mittelibisevaid saapaid.



Lõigete maksimaalne arv minutis.



Nooled tähistavad käepideme piirasendeid.



Seade võib esemeid õhku paisata ja see võib põhjustada vigastuse.



Hoidke seadme kasutamise ajal inimestest ja loomadest vähemalt 15 m kaugusele.



Kasutaja on kohustatud tagama, et inimesed ja loomad ei tuleks töö ajal lähemale kui 15 m. Kui saamas kohas töötab mitu seadmekasutajat, peab ohutusvahemaa olema vähemalt 15 meetrit. Lõikeosa võib jõuliselt liigutada objekte, mis võivad tagasi pörkuda. Soovitusliku ohutusvarustuse mittekasutamisel võib see põhjustada tõsisid silmavigastusi.



Ümbritsevasse keskkonda leviv müra vastavalt Euroopa Ühenduse direktiivile. Tarviku müratase on esitatud jaotises *Tehnilised andmed lk 101* ja sildil.



See löikeosa vastab EL-i kehtivatele direktiividele.



See seade vastab kehtivatele EAC direktiividele.



See seade vastab kehtivatele Ukraina direktiividele



Toode vastab Austraalia ja Uus-Meremaa elektromagnetilise ühilduvuse vastavusdirektiividele.

aaaannxxxx

Seerianumbri sildilt leiata seerianumbri. **aaaa** on tootmisaasta ja **nn** on tootmisnädal.

Märkus: Ülejäänud löikeosal esitatud sümbolid/tähised vastavad erinevates riikides kehtivatele sertifitseerimisnõuetele.

EL V



HOIATUS: Mootori igasugune modifitseerimine, muutmine või rikkumine tühistab toote EL-i tüübikinnituse.

Ohutus

OLULISED OHUTUSJUHISED

tavaliselt sõrmedes, käelabades ja randmetes.
Külmaga võivad need nähud tugevneda.

Ohutuse määratlused

Mõistetega „hoiatus“, „ettevaatus“ ja „märkus“ juhitakse tähelepanu eriti olulistele kohtadele kasutusjuhendis.



HOIATUS: Tähistab kasutusjuhendi juhiste eiramise korral kasutaja või kõrvalseisjate kehavigastuse või surmaga lõppeva õnnetuse ohtu.



ETTEVAATUST: Tähistab kasutusjuhendi juhiste eiramise korral toote ja/või tarviku, muude esemete või läheduses asuvate objektide kahjustamise ohtu.

Märkus: Tähistab antud olukorras vajalikku lisateavet.

Lugege läbi kõik juhised



HOIATUS: Kui kasutate elektrilisi aiaseadmeid, tuleb järgida alati põhilisi ohutusabinõusid, et vähendada tule-, elektrilöögi- ja tõsiste vigastuste ohtu, sh järgmisi.

Üldised ohutuseeskirjad



HOIATUS: Enne lisatarviku kasutamist lugege läbi järgmised ohutuseeskirjad.

- Lugege enne lõikeosa kasutamist kasutusjuhend tähelepanelikult läbi ja veenduge, et oleksite juhistest aru saanud.
 - Need juhised täiendavad tootega kaasas olevaid juhiseid. Muude protseduuride osas kasutage palnu toote kasutusjuhendeid.
 - Lisatarviku algset konstruktsiooni ei tohi ilma tootja loata muuta. Ärge kasutage lisatarvikut, kui tundub, et teised on seda muutnud, ja kasutage alati originaalisavarustust. Lubamatud muudatused ja varuosad võivad põhjustada kasutaja ja teiste isikute raskeid või isegi eluohtlikke kehavigastusi.
 - Tugeva vibratsiooniga töötamine võib põhjustada vereringe- või närvikahjustusi, eriti neil, kel on vereringehäireid. Pöörduge arsti poole, kui ilmneb nähte, mis võivad olla vibratsioonist põhjustatud. Sellisteks nähtudeks on näiteks tundetus, surin, torkiv tunne, valu, nõrkus, muutused nahavärvis või naha seisukorras. Nimetatud nähtused esinevad
- Kasutage toodet ainult selles kasutusjuhendis kirjeldatud tööde tegemiseks. Vt jaotist *Kasutusotstarve lk 91*.
 - Ärge kasutage seda toodet, kui te pole kindel, kuidas seda kasutada.
 - Ärge kasutage seda toodet, kui olete väsinud, haige või tarvitanud alkoholi, narkootikume või ravimeid. See võib halvendada teie nägemist, otsustusvõimet või koordineerimist.
 - Ärge kasutage toodet, kui te ei saa võimaliku õnnetusjuhtumi korral kedagi appi kutsuda.
 - Ärge kasutage toodet, kui lähedate sellel kahjustustele viitavaid märke.
 - Veenduge, et lõikeosa peatub alati, kui mootor on tühikäigul.
 - Veenduge, et keegi ei tuleks teile lõikamise ajal lähemale kui 15 m. Veenduge, et tööalal viibiksid üksnes selleks volitatud isikud.
 - Ärge lubage lastel seadme lähedale tulla ega seda kasutada.
 - Hoidke tööala puhas ja hästi valgustatud. Ärge kasutage seadet halva ilmaga, nt udu, tugeva vihma, tugeva tuule, liigse külma ning äikesehoju korral.
 - Kui miski jääb kasutamise ajal terade külge kinni, peatage mootor ja oodake, kuni terad enam ei liigu. Eemaldage süüteküünla kate süüteküünlalt / eemaldage aku. Terade liigutamiseks asetage lehtsilmusvõti ülekande pessa, vt jaotist *Lõiketerade teritamine lk 99*.
 - Kui terad on töötamise ajal kahjustada saanud, võivad ülemine ja alumine lõiketera üksteise külge kinni jääda. Ärge puudutage lõiketerasid, need võivad ootamatult liikuda ja põhjustada vigastusi.
 - Veenduge, et saaksite töötada ohutus ja stabiilses asendis.
 - Toodes võib esemeid õhku paisata. Veenduge, et kõik tööalal olevad inimesed kasutavad nõuetekohaseid isikukaitsevahendeid. Eemaldage tööalalt lahtised objektid.
 - Kui kannate kõrvaklappe, jälgige tööala. Eemaldage alati kõrvaklapid kohe, kui mootor on seiskunud.
 - Kui toode vibreerib tavatult, seisake mootor. Kui teil on bensiniitoitega toode, eemaldage süüteküünla kate süüteküünla küljest. Kui teil on akutoitega toode, eemaldage aku. Kontrollige kohe vibratsiooni põhjust. Vibratsioon annab üldiselt teada tõrkest.

Ohutusjuhised kasutamisel



HOIATUS: Enne seadme kasutamist lugege läbi järgnevad hoiatused.

- Ärge lahkuge töötava mootoriga toote juurest.
- Hoidke seadet mõlema käega. Hoidke seadet endast paremal. Toote kasutamise ajal peab löikeosa asuma vöökohast allpool.



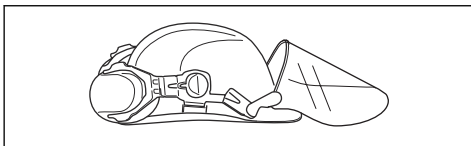
- Löikeosaga töötamisel löigake suunaga endast eemale. Enda poole löigates võib kasutaja põhjustada ohtlikke kehavigastusi.
- Vältige käte ja jalgade sattumist lõiketerade lähedale, kui mootor on sisse lülitatud.

Isikukaitsevahendid



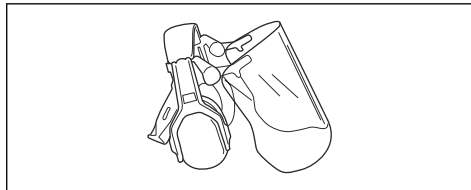
HOIATUS: Enne seadme kasutamist lugege läbi järgnevad hoiatused.

- Seadmega töötamisel tuleb kasutada ettenähtud isikukaitsevarustust. Isikukaitsevarustus ei välista täielikult kehavigastuste ohtu, kuid vähendab õnnetusjuhtumi korral kehavigastuse raskusastet. Õige varustuse valimiseks pöörduge edasimüüja poole.
- Kaitsekiivrit, kohtades, kus on langevate esemete oht.

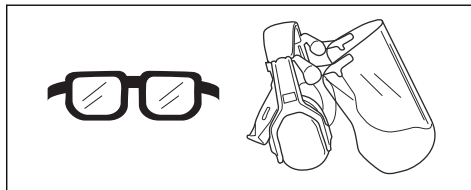


- Pikaajaline kokkupuude müraga võib tekitada kuulmiskahjustusi. Üldiselt on akutoitel töötavad seadmed suhteliselt vaiksed, kuid müratase koos pikaajalise kasutamisega võib tekitada kuulmiskahjustusi. Husqvarna soovitab kasutajal kanda kõrvaklappe, kui seadmega töötatakse pikemat aega järjest. Kasutajad, kes kasutavad seadet pidevalt ja regulaarselt, peavad käima korrapäraselt kuulmist kontrollimas. Võtke arvesse,

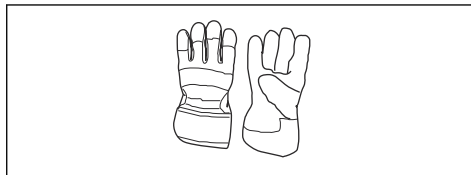
et kõrvaklapid piiravad võimet kuulda helisid ja hoiatussignaale.



- Kandke heakskiidetud kaitseprille. Näokaitsme kasutamisel tuleb lisaks kasutada heakskiidetud kaitseprille. Heakskiidetud kaitseprillide all mõeldakse selliseid prille, mis vastavad standardile ANSI Z87.1 USA-s või EN 166 Euroopa Liidu riikides.



- Vajaduse korral kandke kindaid, näiteks siis kui toodet kontrollite või puhastate.

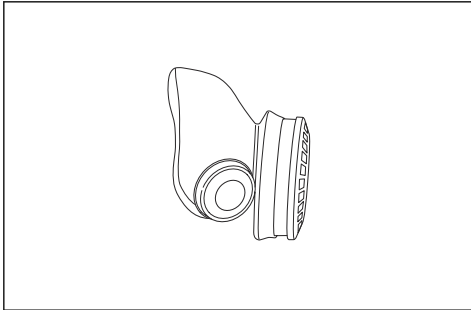


- Kandke libisemiskindla tallaga kaitsepaapaid või -jalatseid.

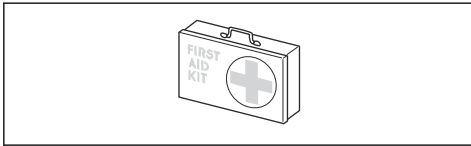


- Kandke vastupidavat materjalist riideid. Kandke alati pikki raskeid pükse ja pikki varrukaid. Hoiduge liiga avaratest rõivastest, mis võivad okstesse takerduda. Ärge kandke ehteid, lühikesi pükse, lahtiseid jalatseid ega käige paljajalu. Kinnitage juuksed ohutult ölgadest kõrgemale.

- Tolmu tekkimise ohu korral kasutage hingamiskaitset.



- Hoidke esmaabikomplekt käepärast.



Lisatarviku ohutusseadised



HOIATUS: Enne seadme kasutamist lugege läbi järgmised hoiatusjuhised.

Selles alalõigus kirjeldatakse lisatarviku ohutusfunktsioone, selle otstarvet ning seda, kuidas läbi viia kontrollid ja hooldust, et tagada toote nõuetekohane töö. Peatükist *Lõikeosa ülevaade lk 91* näete, kus need osad teie lisatarvikul paiknevad.

Kui lisatarvikut ei hooldata õigesti ja korrapäraselt ning seda ei paranda asjatundja, võib lüheneda seadme tööiga ja suurenda õnnetuste oht. Kui vajate täiendavat infot, pöörduge lähimasse teenindusse.



HOIATUS: Ärge kasutage lisatarvikut, kui selle turvavarustus pole täiesti korras. Ohutusvarustust tuleb käesolevas lõigus toodud eeskirjade kohaselt hooldada ja kontrollida. Kui lisatarvik ei vasta ohutusnõuetele, laske see parandada hooldustöökogas.



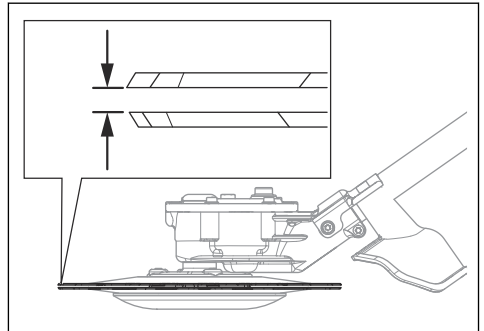
HOIATUS: Toote hooldus ja parandamine nõuab eraldi väljaõpet. Eriti oluline on see toote ohutusvarustuse puhul. Kui toode ei vasta allpool toodud nõuetele, võtke ühendust hooldustöökojaga. Meie toodetele on tagatud professionaalne hooldus ja parandus. Kui toote müüja ei tegele hooldusega, paluge teda juhatada teid lähimasse hooldustöökotta.

Lõikeosa ja lõikeosa kaitse kontrollimine

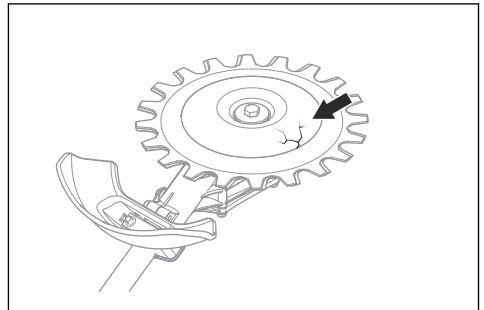


HOIATUS: Ärge kasutage lõikeosa ilma heakskiidetud kaitsekatteta. Vale või defektse lõikeosa kaitse kinnitamine võib põhjustada kehavigastusi.

1. Seisake mootor ja veenduge, et lõikeosa oleks täielikult peatunud.
2. Kui teil on bensiinitoitega toode, eemaldage süüteküünlade kate süüteküünlade küljest. Kui teil on akutoitega toode, eemaldage tootest aku.
3. Pange kätte kaitsekindad.
4. Veenduge, et lõiketerad poleks kahjustatud. Kui terad on kahjustatud, vahetage need välja. Vt jaotist *Lõiketera vahetamine lk 99*.
5. Kontrollige lõiketerasid. Veenduge, et lõiketerade vahel poleks lõtku. Kui lõiketerade vahel on lõtk, tuleb terasid reguleerida. Vt jaotist *Lõiketerade vahelise lõtku reguleerimine lk 100*.

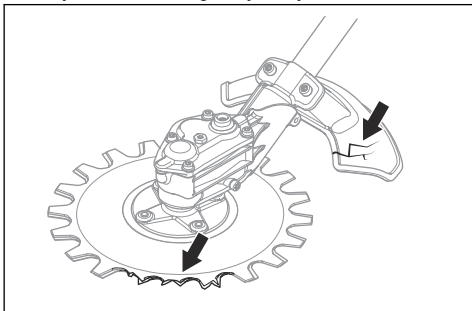


6. Veenduge, et tugikuppel oleks kahjustamata. Kahjustatud tugikuppel tuleb välja vahetada.



7. Veenduge, et lõikeosa kruvid oleks kinnitatud.

8. Veenduge, et lõiketerad ja lõiketera kaitse ei oleks kahjustatud. Vahetage välja kahjustatud osad.



Ohutusjuhised hooldamisel

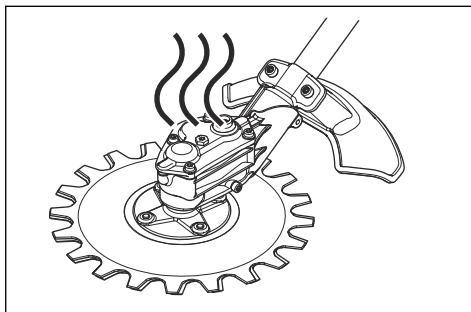


HOIATUS: Lõikeosa võib jätkata pöörlemist, kui gaasihoovastik/toitelüliti on vabastatud. Kui teil on bensiinitoitega toode, eemaldage süüteküünla kate süüteküünla küljest. Kui teil on akutoitega toode, eemaldage tootest aku. Enne hooldustoiminguid veenduge, et lõikeosa on täielikult peatunud.



HOIATUS: Ülekannet võib kuumeneda toote kasutamise ajal. Ülekannet võib kuumeneda. Kuumad pinnad võivad

põhjustada põletusi. Ärge ülekannet puudutage.



- Lõikeseadet parandades kandke alati tugevaid kindaid. Lõikeosa on väga terav ja võib põhjustada sisselõikeid.
- Parandamisel kasutage ainult originaalvaruosi.

HOIDKE NEED JUHISED ALLES

Töö

Töövõtted



HOIATUS: Oksad või muru võivad lõikeosa kaitse ja lõikeosa vahele jääda. Enne toote lõikeosa puhastamist seisake alati mootor.

- Lõikamise ajal rakendage täisgaas/-kiirus ja pärast iga lõike tegemist langetage kiirus tühikäigule.

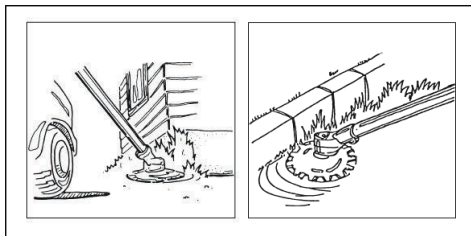


ETTEVAATUST: Kui mootor töötab liiga kaua ilma koormuseta täisgaasil, võib see mootorit kahjustada.

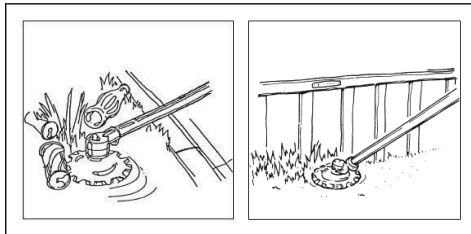
Lõikeosa soovitatav kasutusviis

Lõikosa terad liiguvad väikese nurga all ja võivad lõigata igas suunas. Liigutage lõikeosa mööda maad sellisel kõrgusel, et tugikuppel puudutab maad. Kasutage lõikeosa selleks, et teha lõikamistöid:

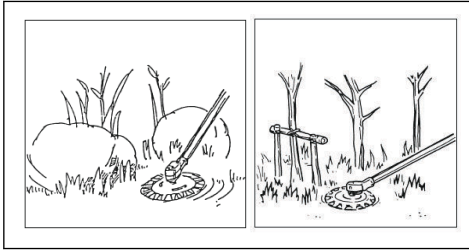
- parkides ja teeservadel;



- kõnniteedel ja aedade lähedal;



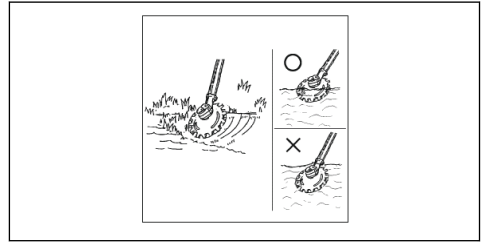
- kivide ja puude lähedal;



- vee läheduses.



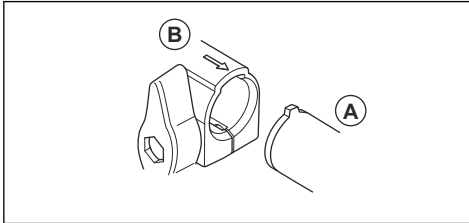
ETTEVAATUST: Ärge kastke ülekannet vette.



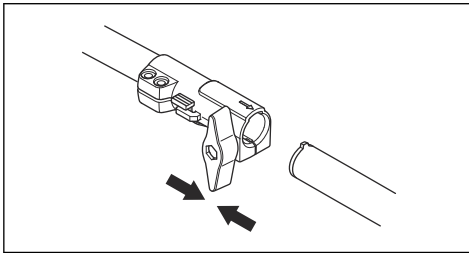
Kokkupanek

Lahtivõetava varre paigaldamine

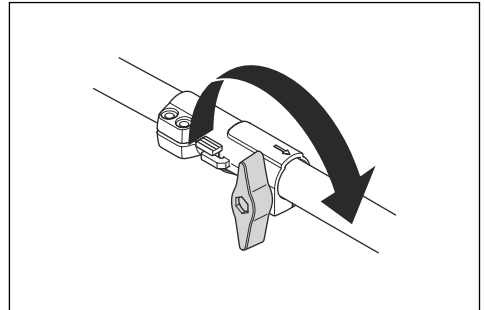
1. Keerake nuppu, et avada varre liitmik.
2. Joondage lõikeosa (A) tähistus ühendusülil (B) oleva noolega.



3. Lükake vars ettevaatlikult ühendusülisse, kuni kuulete klõpsatust.

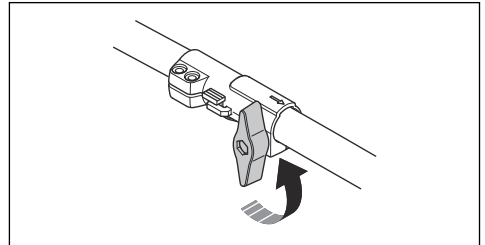


4. Keerake nupp korralikult kinni.



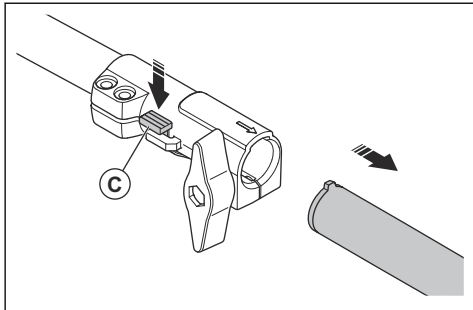
Lahtivõetava varre eemaldamine

1. Keerake liitmiku vabastamiseks nuppu 3 pööret või rohkem.



2. Vajutage nupule (C) ja hoidke seda all.
3. Hoidke sellest varre otsast, mille külge mootor on kinnitatud, tugevasti kinni.

4. Tõmmake vars otse sidurist välja.



Hooldamine

Sissejuhatus

Allpool on toodud üldised hoolduseeskirjad. Täpsema teabe saamiseks pöörduge hooldustöökotta.

Hoolduskeem

Allpool on esitatud lõikeosa vajalike hooldustööde loend.

Hooldamine	Üks kord päevas	Üks kord nädalas	Üks kord kuus
Puhastage seadme välisosad.	X		
Veenduge, et lõiketerad poleks kahjustatud. Kui terad on kahjustatud, vahetage need välja.	X		
Veenduge, et lõikeosa kaitse oleks kahjustamata. Kui lõikeosa kaitse on kahjustunud, vahetage see välja.	X		
Veenduge, et tugikuppel oleks kahjustamata. Kahjustatud tugikuppel tuleb välja vahetada.	X		
Veenduge, et mutrid ja kruvid oleksid pingutatud.	X		
Täitke ülekannet määrdega umbes iga 100 töötunni järel.		X	

Märkus: Kasutaja tohib lõikeosale teha ainult selles kasutusjuhendis nimetatud hooldustöid. Kõik muud hooldustööd tuleb lasta teha heakskiidetud hooldustöökojas.

Lõiketerade puhastamine ja määrimine

1. Puhastage lõiketerad enne ja pärast toote kasutamist soovimatust materjalist.
2. Enne pikaks ajaks hoiulepanekut määrige lõiketerasid.

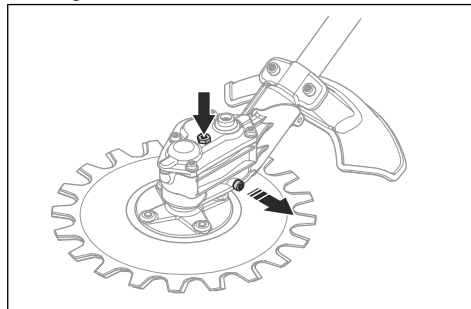
Märkus: Soovitatud puhastusvahendite ja määrde kohta lisateabe saamiseks võtke ühendust hooldusesindajaga.

Ülekande puhastamine



ETTEVAATUST: Ärge täitke ülekannet täielikult. Kui ülekannet on täiesti täis, võib määr kahjustada tihendeid ja põhjustada lekke.

1. Eemaldage määrdekorgid.
2. Lisage määrde ülemisse avasse.



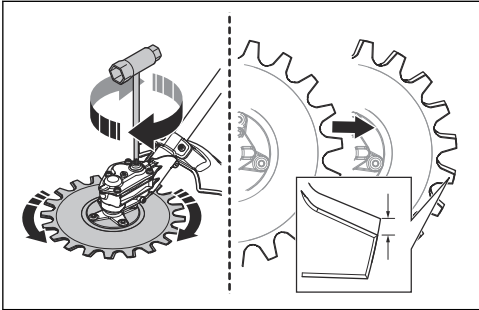
3. Kinnitage määrdekorgid.

Lõiketerade teritamine

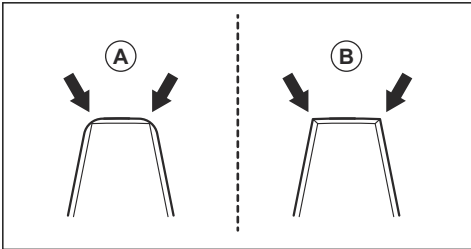


HOIATUS: Kandke lõiketerade hoidmise ajal kaitsekindaid.

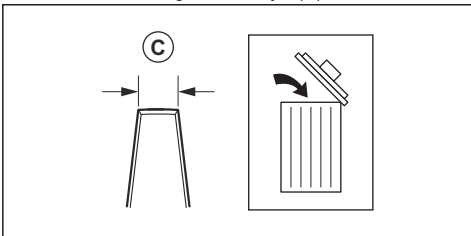
1. Asetage lehtsilmusvõti ülekandel olevasse pesa.
2. Pöörake lehtsilmusvõtit, kuni ülemise ja alumise lõiketera vahel on 3 mm vahe.



3. Teritage servad (B), millele pääsete lihvijaga ligi. Ärge teritage servi ümaraks (A).



4. Vastasservadele ligipääsuks pöörake lehtsilmusvõtit vastupidises suunas.
5. Teritage servad, millele pääsete lihvijaga ligi.
6. Kui lõiketerade hammaste vaheline laius on väiksem kui 8 mm, vahetage terad välja. (C).



Lõiketera vahetamine



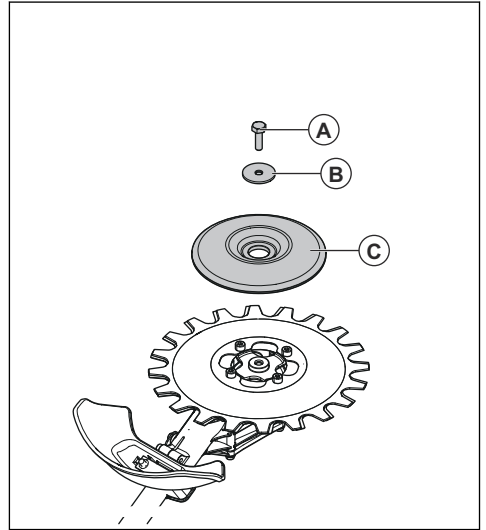
HOIATUS: Kandke lõiketerade hoidmise ajal kaitsekindaid.



HOIATUS: Et toode ei läheks tasakaalust välja ega vibreeriks, puhastage lõiketerade vahetamisel lõikeosa.

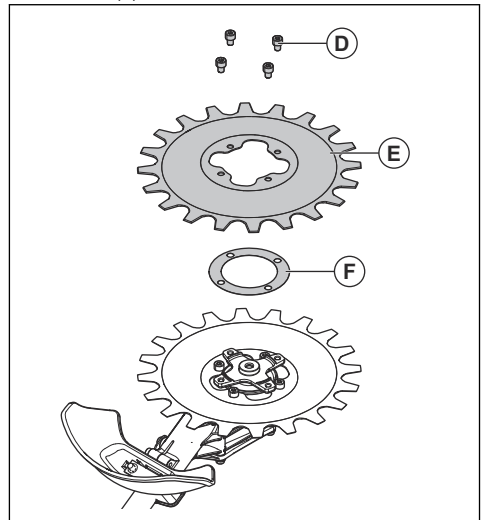
Märkus: Lõiketerad on vahetatavad.

1. Eemaldage keskmine kruvi (A), seib (B) ja tugikuppel (C).

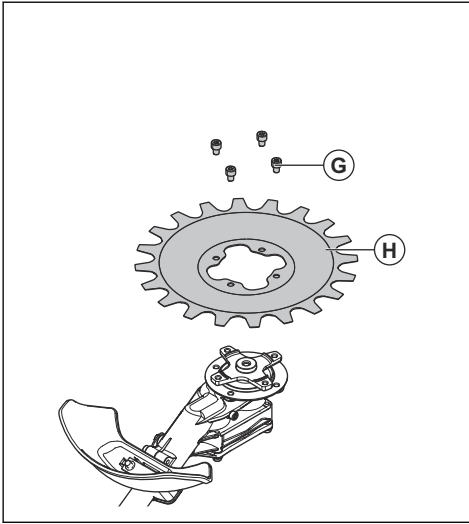


Märkus: Keskmisel kruvil on vasakkeere.

2. Eemaldage 4 kruvi (D), alumine lõiketera (E) ja vaheleht (F).



3. Eemaldage 4 kruvi (G) ja ülemine lõiketera (H).



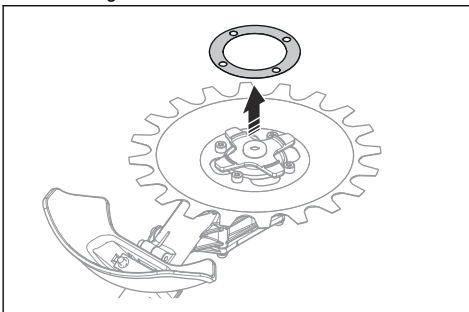
4. Paigaldage lõiketerad vastupidises järjekorras. Lõiketerade paigaldamisel keerake kruvid võrdselt kinni.

Lõiketerade vahelise lõtku reguleerimine



HOIATUS: Kandke lõiketerade hoidmise ajal kaitsekindaid.

1. Teavet alumise lõiketera eemaldamise kohta vt *Lõiketera vahetamine lk 99.*
2. Eemaldage vaheleht.



Märkus: Hoidke vaheleht alles ajaks, kui on aeg lõiketerad välja vahetada.

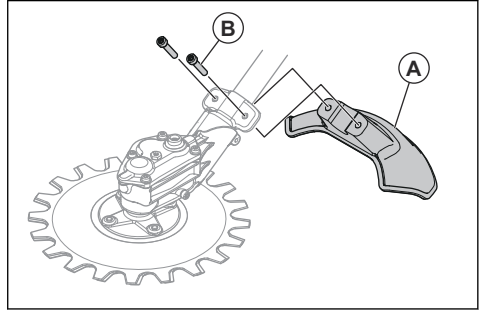
3. Paigaldage alumine lõiketera. Lõiketerade paigaldamisel keerake kruvid võrdselt kinni.

Lõikeosa kaitse vahetamine



HOIATUS: Kandke lõiketerade hoidmise ajal kaitsekindaid.

- Eemaldage 2 kruvi (B) ja lõikeosa kaitse (A).
- Paigaldage uus lõikeosa kaitse (A) 2 kruviga (B). Keerake kruvid võrdse tugevusega kinni.



Transportimine, hoialepanek ja utiliseerimine

Transport ja hoistamine

- Veenduge, et kui toodet ei kasutata või seda transportitakse või hoistatakse, oleks transportkaitse nõuetekohaselt lõikeosale kinnitatud.

- Hoidke lõikeosa lukustatud kohas, kus sellele ei pääse juurde lapsed ega volitamata isikud.
- Kinnitage lõikeosa transportimise ajal ohutult, et vältida kahjustusi ja õnnetusi.

- Enne pikaajalist hoiustamist veenduge, et löikeosa on puhas, ja tehke põhjalik hooldus.

Tehnilised andmed

Tehnilised andmed

RA850	
Mass	
Kaal, kg	2,5
Müraemissioon²²	
Helitugevuse tase, dB(A)	102
Müravõimsustase, garanteeritud L_{WA} , dB (A)	105
Müratasemed²³	
Ekvivalentne helirõhutase kasutaja kõrva juures, mõõdetud EN ISO 11806-1 ja EN ISO 22868 järgi, dB(A)	
Originaalse heakskiidetud lisatarvikuga	90
Vibratsioonitase²⁴	
Käepidemete ekvivalentsed vibratsioonitasemed ($a_{hv,eq}$), mõõdetud EN ISO 11806-1 ja ISO 22867 järgi, m/s^2	
Originaalse vasak-/parempoolse heakskiidetud lisatarvikuga	3,9/4,8
Terad	
Läbimõõt, mm	230
Löikekiirus, löiget/min	4600

²² Müraemissioon ümbritsevasse keskkonda, mõõdetud helivõimsuse tasemena (L_{WA}) vastavalt EÜ direktiivile 2000/14/EÜ. Seadme antud müratase mõõdeti enim müra tekitava originaalsaagimisseadme kasutamisel. Eri-nevus garanteeritud ja mõõdetud helivõimsustaseme vahel seisneb selles, et direktiivi 2000/14/EÜ alusel hõlmab garanteeritud helivõimsustase ka mõõtmistulemuste dispersiooni ja kõrvalekaldeid sama mudeli erinevate seadmete vahel.

²³ Antud andmetel seadme helirõhutase ekvivalendi kohta on statistiline tüüplevi 1 dB(A) (standardne kõrvalekalle).

²⁴ Ekvivalentse vibratsioonitase kohta toodud andmete tüüpiline statistiline dispersioon (standardhälve) on 1 m/s^2 .

EÜ vastavusdeklaratsioon

EÜ vastavusdeklaratsioon

Husqvarna AB, SE-561 82 Huskvarna, Rootsi, tel:
+46-36-146500, kinnitab, et reciprocator attachment

Husqvarna RA850 seerianumbriga alates 2019 ja edasi
(aastaarv ja sellele järgnev seerianumber on selgelt
märgitud mudeli andmesildile) vastavad järgmise
NÕUKOGU DIREKTIIVI nõuetele:

- **2006/42/EÜ** (17. mai 2006), masinadirektiiv;
- 8. juuni 2011. a., „elektri- ja elektroonikaseadmetes
teatavate ohtlike ainete kasutamise piiramise
direktiiv” **2011/65/EL**.
- **2000/14/EÜ** (8. mai 2000), müradirektiiv;
Vastavushindamine vastavalt lisale V. Müra kohta
leiate teavet tehniliste andmete peatükist.

Rakendatud on järgmisi standardeid:

EN ISO 11806-1:2011, EN 50581:2012

RISE SMP Svensk Maskinprovning AB, Box 7035,
SE-750 07 Uppsala, Sweden teostas vabatahtlikult
Husqvarna AB standardikontrolli. Sertifikaatidel on
järgmised numbrid: **SEC/19/2528**

Huskvarna, 2019-03-11



Per Gustafsson, arendusdirektor (Husqvarna AB
volitatud esindaja ja tehnilise dokumentatsiooni vastutav
juht)

Sisältö

Johdanto.....	103	Huolto.....	110
Turvallisuus.....	105	Kuljettaminen, säilyttäminen ja hävittäminen.....	112
Toiminta.....	108	Tekniset tiedot.....	113
Asentaminen.....	109	EY-vaatimustenmukaisuusvakuutus.....	114

Johdanto

Käyttötarkoitus



VAROITUS: Terälaitetta saa käyttää vain yhteensopivien laitteiden kanssa. Lisätietoja on laitteen käyttöohjeesta.

Terälaitetta käytetään ruohojen ja risujen leikkaamiseen.

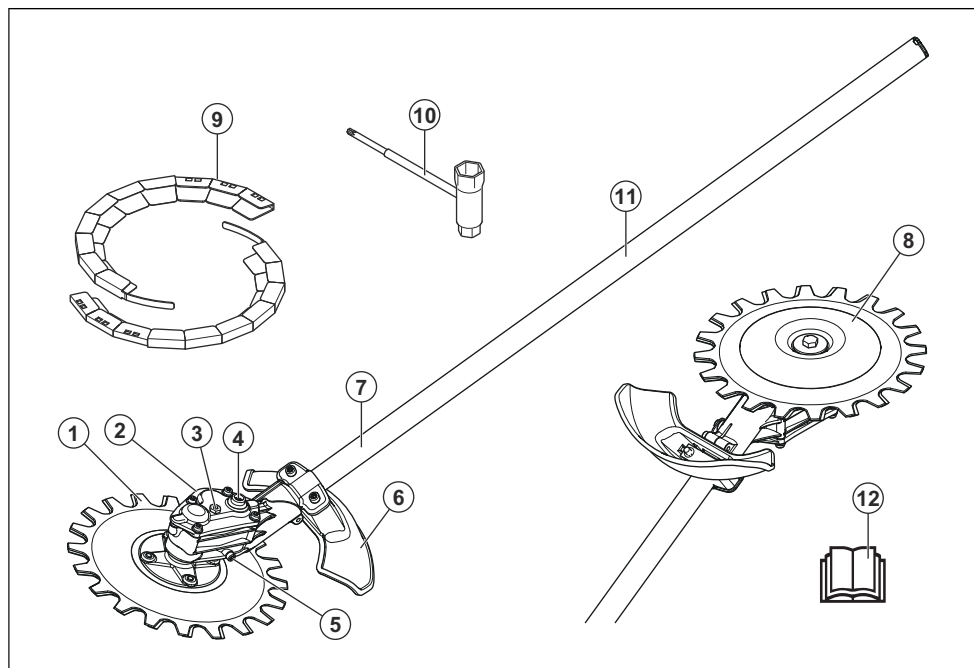
Huomautus: Kansalliset määräykset saattavat rajoittaa tuotteen käyttöä.

Tuotekuvaus

Kehitämme jatkuvasti tuotteitamme ja pidätämme siksi itsellämme oikeuden muuttaa tuotteiden muotoa ja ulkonäköä ilman ennakkoilmoitusta.

Huomautus: Tässä käyttöohjeessa käsitellään sekä bensiini- että akkukäyttöisiä laitteita.

Terälaitteen yleiskatsaus



1. Terä
2. Vaihekotelo
3. Ylempi rasvatulppa
4. Kolo terien siirtämiseen manuaalisesti

5. Alempi rasvatulppa
6. Terälaitteen suojuus
7. Runkoputki
8. Tukikuppi

9. Kuljetussuojus
10. Yhdistelmäavain
11. Huomio- ja varoitustarra
12. Käyttöohjekirja



Käyttäjän on varmistettava, että ihmiset ja eläimet ovat vähintään 15 metrin päässä laitteesta työn aikana. Kun useita laitteita käytetään samassa paikassa, on käyttäjien välisen turvavälin oltava vähintään 15 metriä. Lisälaite voi singota rajulla voimalla esineitä, jotka voivat kimmota takaisin. Se voi johtaa vakaviin silmävammoihin, mikäli suositeltuja suojaimeja ei käytetä.

Lisälaitteen ja käyttöagregaatin symbolit



Tämän lisälaitteen huolimaton käyttö tai väärinkäyttö voi aiheuttaa käyttäjälle tai sivullisille vakavan tai hengenvaarallisen tapaturman.



Lue käyttöohje huolellisesti ja varmista, että ymmärrät sen sisällön, ennen kuin alat käyttää lisälaitetta.



Käytä suojakypärää paikoissa, joissa päällesi voi pudota esineitä. Käytä hyväksytyjä kuulonsuojaimia. Käytä hyväksytyjä silmäsuojaimia.



Käytä aina hyväksytyjä suojakäsineitä.



Käytä luistamattomia ja tukevia jalkineita.



Leikkausten enimmäismäärä minuutissa.



Nuolet osoittavat kahvan asennon rajat.



Laite voi saada esineitä sinkoutumaan, mikä voi aiheuttaa vammoja.



Pysy vähintään 15 metrin etäisyydellä ihmisistä ja eläimistä laitteen käytön aikana.



Melupäästöt ympäristöön Euroopan yhteisön direktiivin mukaisesti. Lisälaitteen päästöt ilmoitetaan luvussa *Tekniset tiedot sivulla 113* ja arvokilvessä.



Tämä lisälaite täyttää sovellettavien EY-direktiivien vaatimukset.



Laite täyttää voimassa olevien EAC-direktiivien vaatimukset.



Laite täyttää voimassa olevien Ukrainan direktiivien vaatimukset.



Laite täyttää voimassa olevien Australian ja Uuden-Seelannin sähkömagneettista yhteensopivuutta koskevien direktiivien vaatimukset.

yyyywwxxxx

Sarjanumero on sarjanumerotarrassa. **yyyy** on valmistusvuosi ja **ww** valmistusviikko.

Huomautus: Muita lisälaitteen tunnuksia/tarroja tarvitaan tietyillä markkina-alueilla ilmaisemaan erityisiä sertifiointivaatimuksia.

EU V



VAROITUS: Moottorin muokkaaminen mitätöi tuotteen EU-tyyppihyväksynnän.

KESKEISET TURVAOHJEET

Turvallisuusmääritelmät

Varoituksia, huomioita ja huomautuksia käytetään, kun jotakin käyttöohjeen osaa halutaan erityisesti korostaa.



VAROITUS: Tätä käytetään, jos käyttöohjeen noudattamatta jättämisestä voi seurata käyttäjän tai sivullisen vamma tai kuolema.



HUOMAUTUS: Tätä käytetään, jos käyttöohjeen noudattamatta jättämisestä voi seurata tuotteen ja/tai lisälaitteen, muiden materiaalien tai ympäristön vaurioituminen.

Huomautus: Tätä käytetään tietyissä tilanteissa tarvittavien lisätietojen antamiseen.

Lue kaikki ohjeet



VAROITUS: Sähkökäyttöisiä puutarhatyökaluja käytettäessä on aina noudatettava yleisiä turvaohjeita, jotka vähentävät tulipalon, sähköiskun ja henkilövahinkojen vaaraa ja joita ovat esimerkiksi seuraavat:

Yleiset turvaohjeet



VAROITUS: Lue seuraavat turvaohjeet ennen lisälaitteen käyttämistä.

- Lue käyttöohje huolellisesti ja varmista, että ymmärrät sen sisällön, ennen kuin alat käyttää lisälaitetta.
- Nämä ohjeet täydentävät laitteen mukana toimitettuja ohjeita. Katso muita toimenpiteitä koskevat ohjeet laitteen käyttöohjeista.
- Lisälaitteen rakennetta ei missään tapauksessa saa muuttaa ilman valmistajan lupaa. Älä käytä lisälaitetta, mikäli epäilet jonkun muun tehneen siihen muutoksia. Käytä aina alkuperäisiä lisävarusteita. Hyväksymättömien muutosten ja/tai lisävarusteiden käyttö voi aiheuttaa käyttäjälle tai muille vakavia vahinkoja tai kuoleman.
- Liiallinen altistuminen tärinöille saattaa aiheuttaa verisuoni- tai hermovaurioita verenkiertohäiriöistä kärsiville henkilöille. Hakeudu lääkäriin, jos havaitset oireita, jotka voivat liittyä liialliseen tärinöille

altistumiseen. Esimerkkejä tällaisista oireista ovat puutuminen, tunnottomuus, kutina, pistely, kipu, voimattomuus tai heikkous sekä ihon värin tai pinnan muutokset. Näitä oireita esiintyy tavallisesti sormissa, käsissä tai ranteissa. Nämä oireet voivat voimistua alhaisissa lämpötiloissa.

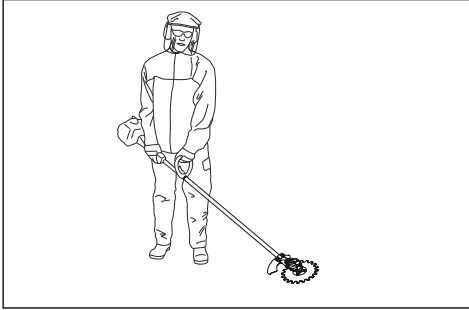
Turvallisuusohjeet käyttöä varten



VAROITUS: Lue seuraavat varoitusohjeet ennen laitteen käyttämistä.

- Käytä laitetta vain tässä käyttöohjekirjassa esitettyihin tehtäviin. Katso kohta *Käyttötarkoitus sivulla 103*.
- Älä käytä laitetta, jos epäilet, ettet osaa käyttää sitä.
- Älä käytä laitetta ollessasi väsynyt tai sairas tai alkoholin, huumaavien aineiden tai lääkkeiden vaikutuksen alaisena. Tämä voi heikentää näkö-, arviointi- ja koordinaatiokykyäsi.
- Älä käytä laitetta, jos et voi saada apua onnettomuuden sattuessa.
- Älä käytä laitetta, jos siinä on merkkejä vaurioista.
- Tarkista, että terälaite aina pysähtyy joutokäynnillä.
- Pidä sivulliset vähintään 15 metrin päässä laitteesta leikkua aikana. Varmista, että työalueella ei ole asiaankuulumattomia henkilöitä.
- Älä anna lasten käyttää laitetta tai tulla sen lähelle.
- Pidä työalue puhtaana ja hyvin valaistuna. Älä käytä laitetta huonolla säällä esimerkiksi sumussa, kovassa sateessa tai tuulessa, ankarassa pakkasessa tai ukkosella.
- Jos teriin tarttuu jotain käytön aikana, pysäytä laite ja odota, kunnes terät pysähtyvät. Irrota sytytystulpan suojus sytytystulpasta tai irrota akku. Laita yhdistelmävaain vaihdekotelon koloon ja siirrä teriä. Katso kohta *Terien teroittaminen sivulla 111*.
- Jos terät ovat vahingoittuneet käytön aikana, ylä- ja alaterät voivat tarttua toisiinsa. Älä koske teriin, sillä ne voivat liikahtaa nopeasti ja aiheuttaa loukkaantumisen.
- Varmista, että olet turvallisessa ja tukevassa työskentelyasennossa käytön aikana.
- Laitte voi saada esineitä sinkoutumaan nopeasti. Varmista, että kaikilla työalueella olevilla henkilöillä on hyväksytyt henkilökohtaiset suojarusteet. Poista irralliset esineet työalueelta.
- Valvo työaluetta käytäessäsi kuulussuojaimia. Riisu kuulonsuojaimet aina moottorin sammuttamisen jälkeen.
- Jos laite tärisee epänormaalisti, pysäytä moottori. Jos laite on bensiniikyttöinen, irrota sytytystulpan suojus sytytystulpasta. Jos laite on akkukäyttöinen, irrota akku. Selvitä syy välittömästi. Tärinä on yleensä merkki vaurioista.

- Älä poistu laitteen luota, kun moottori on käynnissä.
- Pidä laitteesta kiinni kummallakin kädellä. Pidä laitetta kehon oikealla puolella. Käytä laitetta siten, että terälaite on vyötärön alapuolella.



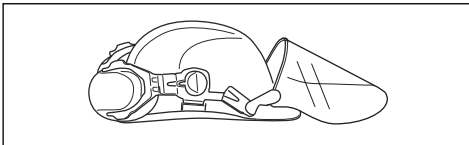
- Terälaitteen työstösuunnan on oltava pois päin käyttäjästä. Leikkaaminen käyttäjän suuntaan voi aiheuttaa vakavan vahingon.
- Pidä kädet ja jalat etäällä teristä, kun moottori on käynnissä.

Henkilökohtainen suojarustus



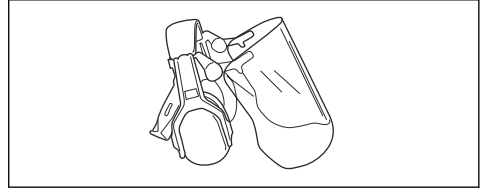
VAROITUS: Lue seuraavat varoitusohjeet ennen laitteen käyttämistä.

- Käytä aina hyväksytyjä henkilökohtaisia suojarusteita, kun käytät laitetta. Henkilökohtaiset suojarusteet eivät poista tapaturmien vaaraa, mutta ne lieventävät vammoja onnettomuustilanteessa. Anna jälleenmyyjän auttaa oikeiden varusteiden valinnassa.
- Käytä suojakypärää paikoissa, joissa putoilevat esineet aiheuttavat vaaraa.

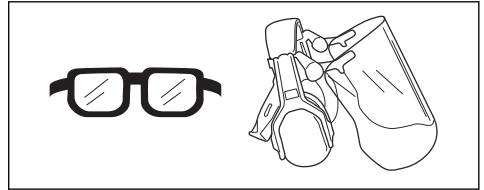


- Pitkäaikainen altistuminen melulle saattaa aiheuttaa kuulovammoja. Akkukäyttöiset laitteet ovat tavallisesti suhteellisen hiljaisia, mutta melutasot ja pitkät käyttöjaksot voivat aiheuttaa vammoja. Husqvarna suosittelee kuulonsuojaimien käyttämistä, jos laitetta käytetään pitkään. Henkilöiden, jotka käyttävät sähkötyökaluja jatkuvasti ja säännöllisesti, on syytä tarkistuttaa

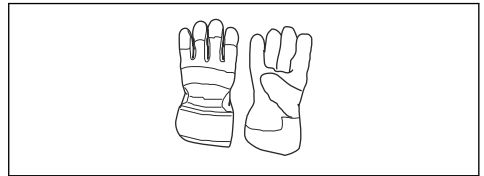
kuulonsa säännöllisesti. Kuulonsuojaimet rajoittavat äänien ja varoitusten kuulemista.



- Käytä hyväksytyjä silmäsuojaimia. Visiiriä käytettäessä on käytettävä myös hyväksytyjä suojalaseja. Hyväksytyillä suojalaseilla tarkoitetaan laseja, jotka täyttävät standardin ANSI Z87.1 (Yhdysvallat) tai EN 166 (EU-maat) vaatimukset.



- Käytä käsineitä tarvittaessa esimerkiksi laitteen tarkistuksen ja puhdistuksen aikana.

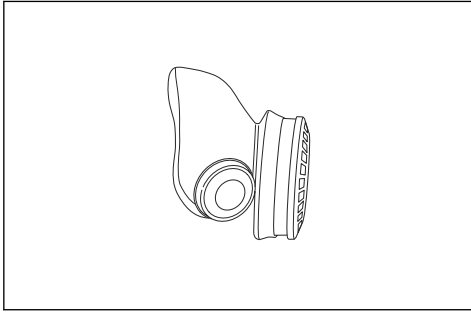


- Käytä turvajalkineita, joissa on luistamaton pohja.

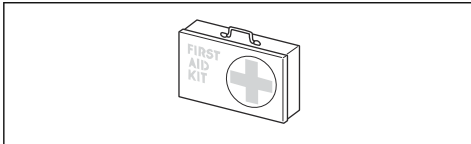


- Käytä lujasta materiaalista valmistettuja vaatteita. Käytä aina vahvakankaisia pitkiä housuja ja pitkähiihaista takkia. Vältä liian löysiä vaatteita, jotka tarttuvat helposti rusuihin ja oksiin. Älä pidä koruja, shortseja tai avonaisia jalkineita. Älä myöskään kulje paljain jaloin. Sido hiukset turvallisesti olkapäiden yläpuolelle.

- Käytä hengityssuojainta, jos on olemassa pölyvaara.



- Pidä ensiaputarvikkeet helposti saatavilla.



Lisälaitteen turvalaitteet



VAROITUS: Lue seuraavat varoitusohjeet ennen lisälaitteen käyttämistä.

Tässä osassa kerrotaan lisälaitteen turvaominaisuuksista ja niiden toiminnasta sekä annetaan tarkastus- ja kunnossapito-ohjeet, joilla varmistetaan laitteen toimivuus. Katso kohdasta *Terälaitteen yleiskatsaus sivulla 103*, missä nämä osat sijaitsevat lisälaitteessasi.

Lisälaitteen käyttöikä voi lyhentyä ja onnettomuusvaara kasvaa, jos lisälaitteen kunnossapitoa ei suoriteta oikein ja jos huoltoa ja/tai korjauksia ei tehdä ammattitaitoisesti. Saat lisätietoja lähimmästä huoltoliikkeestä.



VAROITUS: Älä koskaan käytä lisälaitetta, jos sen turvalaitteet ovat viallisia. Lisälaitteen turvavarustus on tarkastettava ja pidettävä kunnossa tässä osassa esitetyllä tavalla. Jos lisälaitteessasi ilmenee tarkastettaessa puutteita, se on toimitettava huoltoliikkeeseen korjattavaksi.



VAROITUS: Kaikki tuotteen huolto- ja korjaustyöt vaativat erikoiskoulutusta. Tämä koskee erityisesti tuotteen turvavarustusta. Jos tuotteessa havaitaan puutteita alla luetelluissa tarkastuksissa, ota yhteyttä huoltoliikkeeseen. Hankkimalla tuotteen meiltä varmistat, että saat sille ammattimaisen korjauksen ja huollon. Jos ostat tuotteen muusta kuin huollot

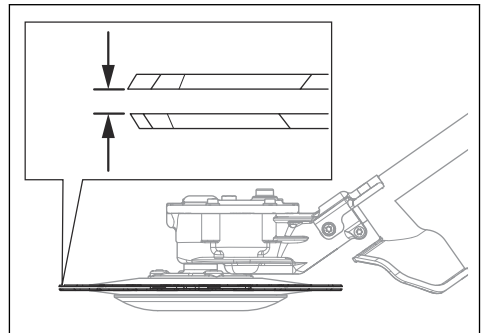
suorittavasta ammattiliikkeestä, pyydä myyjää neuvomaan lähin huoltoliike.

Terälaitteen ja sen suojuksen tarkistaminen

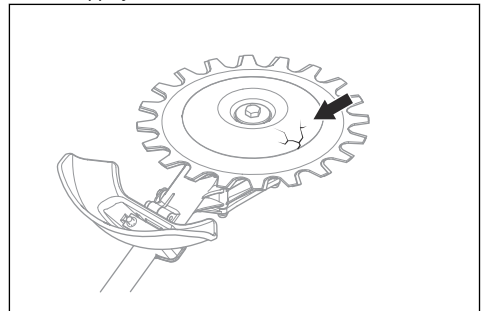


VAROITUS: Terälaitetta ei saa käyttää ilman hyväksyttyä terälaitteen suojusta. Jos terälaitteeseen asennetaan väärä tai viallinen suojuus, se voi aiheuttaa vahingon.

1. Sammuta moottori ja varmista, että terälaite pysähtyy.
2. Jos laite on bensiniikikäyttöinen, irrota sytytystulpan suojuus sytytystulpastasta. Jos laite on akkukäyttöinen, irrota akku.
3. Käytä suojakäsineitä.
4. Varmista, että terät eivät ole vioittuneet. Vaihda vaurioituneet terät. Katso kohta *Terien vaihtaminen sivulla 111*.
5. Tarkista terät. Varmista, ettei terien välissä ole rakoja. Jos terien välissä on rako, teriä on säädettävä. Katso kohta *Terien välisen raon säätäminen sivulla 112*.

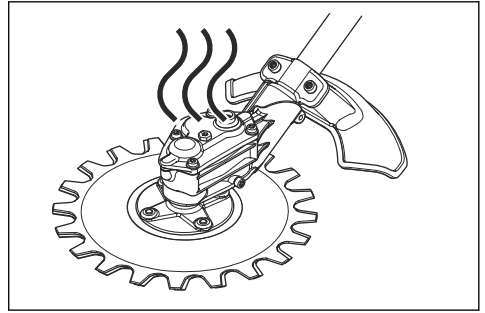
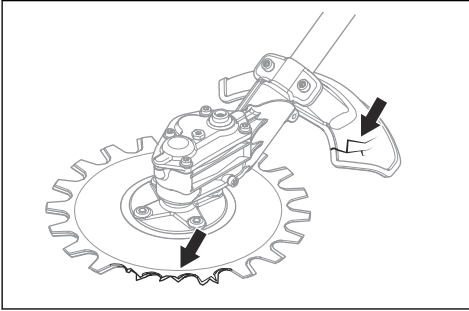


6. Varmista, että tukikuppi ei ole vaurioitunut. Vaihda tukikuppi, jos se on vaurioitunut.



7. Varmista, että terälaitteen ruuvit on kiristetty.

8. Varmista, että terät ja terälaitteen suojus eivät ole vaurioituneet. Vaihda vaurioituneet osat.



- Käytä aina lujatekoisia käsiineitä terälaitetta korjattessasi. Terävarustus on erittäin terävä ja voi helposti aiheuttaa vahinkoja.
- Käytä korjaukseen vain alkuperäisvaraosia.

Turvaohjeet huoltoa varten



VAROITUS: Terälaite voi jatkaa pyörimistä kaasuliipaisimen/käyttöliipaisimen vapauttamisen jälkeen. Jos laite on bensiinikäyttöinen, irrota sytytystulpan suojaus sytytystulpasta. Jos laite on akkukäyttöinen, irrota akku. Varmista, että terälaite on kokonaan pysähtynyt ennen laitteen huoltamista.



VAROITUS: Vaihdekotelo kuumenee käytön aikana. Kuuma pinta voi polttaa. Älä koske vaihdekoteloon.

SÄILYTÄ NÄMÄ OHJEET TALLESSA

Toiminta

Työskentelytekniikka



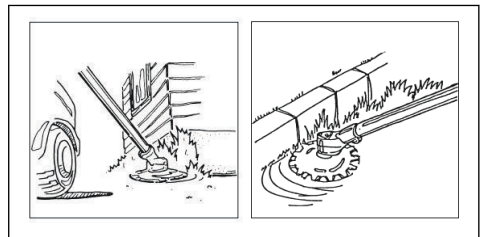
VAROITUS: Suojuksen ja terälaitteen väliin voi tarttua oksia ja ruohoa. Sammuuta moottori aina ennen terälaitteen puhdistamista.

- Sahaä täydellä kaasulla/nopeudella ja laske nopeus joutokäyntiin jokaisen leikkauksen jälkeen.

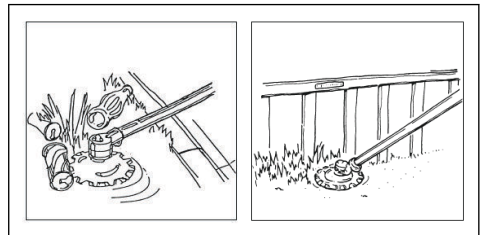


HUOMAUTUS: Jos moottori käy liian pitkään täydellä teholla ilman kuormitusta, moottori saattaa vahingoittua.

- puistoalueita ja teiden reunoja



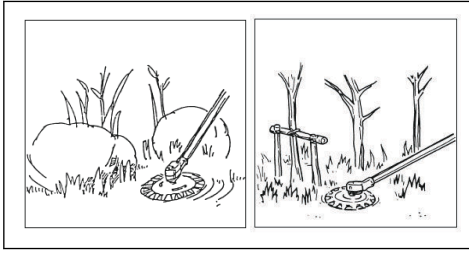
- pientareita ja aitojen lähistöjä



Terälaitteen suositeltu käyttö

Terälaitteen terien liikkeessä on pieni kulma, ja ne voivat leikata kaikkiin suuntiin. Liikuta terälaitetta maan pinnan suuntaisesti sellaisella korkeudella, että tukikuppi koskettaa maata. Terälaitteella voi leikata:

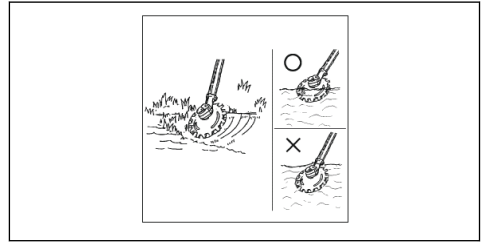
- kivien ja puiden ympäri



- veden läheisyydessä.



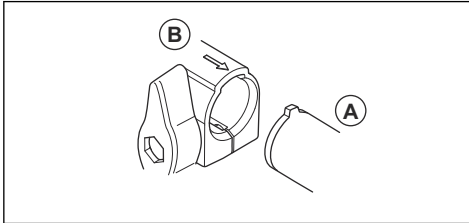
HUOMAUTUS: Älä upota vaihdekotelo veteen.



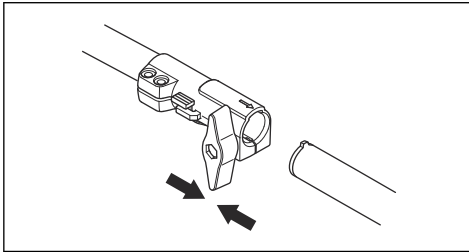
Asentaminen

Kaksiosaisen runkoputken asennus ()

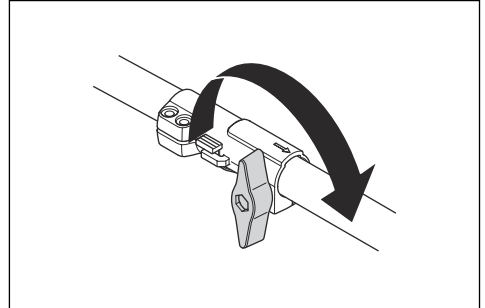
1. Avaa liitäntä kiertämällä nuppia.
2. Kohdista lisälaitteen kieleke (A) liitäntän nuolen (B) kohdalle.



3. Työnnä vartta varovasti liitäntään, kunnes kuulet naksahduksen.

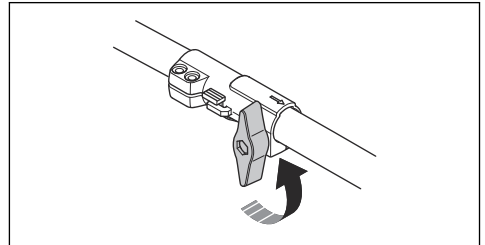


4. Kiristä nappi kokonaan.



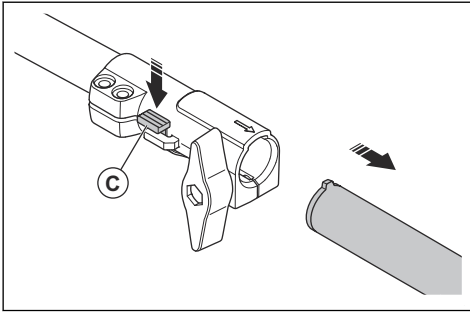
Kaksiosaisen runkoputken irrotus

1. Avaa liitäntä kiertämällä nuppia vähintään kolme kierrosta.



2. Työnnä ja pidä painiketta (C) painettuna.
3. Pidä tiukasti kiinni runkoputken päästä, johon moottori on kiinnitetty.

4. Vedä lisälaite irti liittännästä.



Huolto

Johdanto

Alla on annettu joitakin yleisiä hoito-ohjeita. Jos tarvitset lisäohjeita, ota yhteys huoltoliikkeeseen.

Huoltokaavio

Alla on luettelo terälaitteelle suoritettavista huoltotoimista.

Huomautus: Käyttäjän on huolehdittava ainoastaan tässä käyttöohjeessa kuvatuista terälaitteen huolto- ja kunnossapitotoimista. Kaikki huolto- ja kunnossapitotyöt on tehtävä hyväksytyssä huoltoliikkeessä.

Huolto	Päivittäin	Viikoittain	Kuukausittain
Puhdista laitteen ulko-osat.	X		
Varmista, että terät eivät ole vioittuneet. Vaihda vaurioituneet terät.	X		
Varmista, että terälaitteen suojus ei ole vaurioitunut. Vaihda terälaitteen suojus, jos se on vaurioitunut.	X		
Varmista, että tukikuppi ei ole vaurioitunut. Vaihda tukikuppi, jos se on vaurioitunut.	X		
Varmista, että kaikki ruuvit ja mutterit on kiristetty.	X		
Täytä vaihdekotelo rasvalla noin 100 työtunnin välein.		X	

Terien puhdistaminen ja voiteleminen

1. Puhdista terät ylimääräisistä materiaaleista ennen laitteen käyttöä ja käytön jälkeen.
2. Voitele terät ennen pidempiaikaista säilytystä.

Huomautus: Lisätietoja suositelluista puhdistus- ja voiteluaineista saat huoltoliikkeestä.

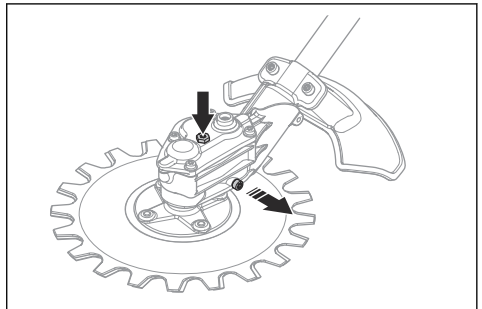
Vaihdekotelon voiteleminen



HUOMAUTUS: Älä täytä vaihdekotelo kokonaan. Jos vaihdekotelo on täynnä, rasva voi vahingoittaa tiivisteitä ja aiheuttaa vuotoja.

1. Irrota rasvatulpat.

2. Lisää rasvaa yläreikään.



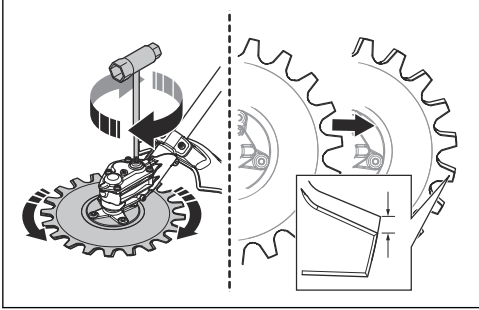
3. Asenna rasvatulpat paikoilleen.

Terien teroittaminen

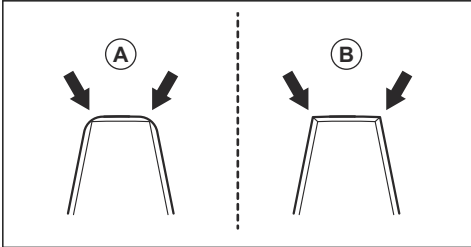


VAROITUS: Käytä suojakäsineitä, kun käsittelet teriä.

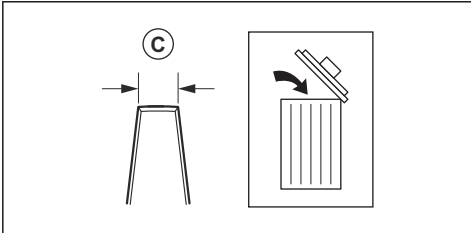
1. Laita yhdistelmäavain vaihdekotelon koloon.
2. Käännä yhdistelmäavainta, kunnes yllä- ja alaterän välillä on 3 mm:n rako.



3. Teroita reunat (B), joita pystyt käsittelemään hiomalaitteella. Varmista, ettet pyöristä reunoja (A).



4. Käännä yhdistelmäavainta toiseen suuntaan, jotta pääset käsittelemään toisia puolia.
5. Teroita reunat, joita pystyt käsittelemään hiomalaitteella.
6. Vaihda terät, kun hampaan leveys on alle 8 mm. (C).



Terien vaihtaminen



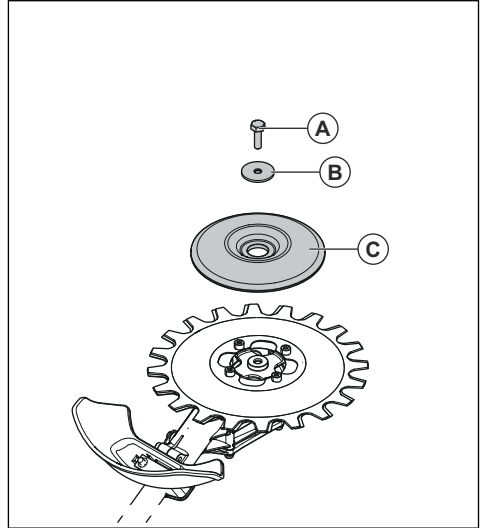
VAROITUS: Käytä suojakäsineitä, kun käsittelet teriä.



VAROITUS: Estä laitteen epätasapaino ja tärinä puhdistamalla terälaite teriä vaihtaessasi.

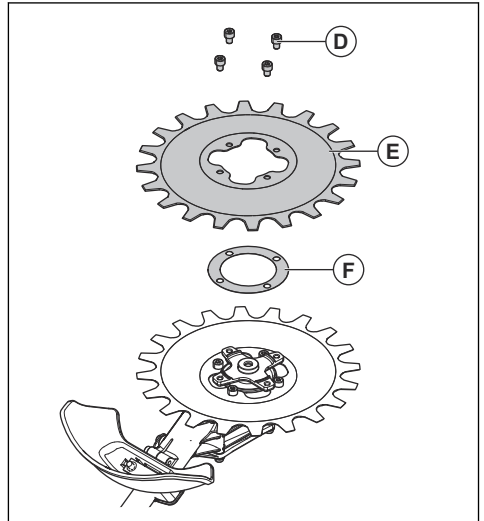
Huomautus: Terien paikkaa voi vaihtaa keskenään.

1. Irrota keskiruuvi (A), aluslevy (B) ja tukikuppi (C).

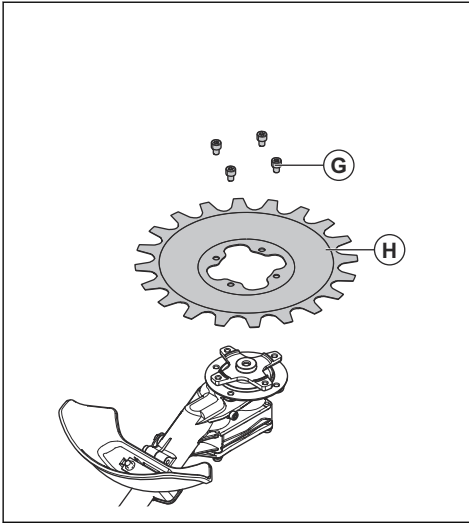


Huomautus: Keskiruuvissa on vasenkätinen kierre.

2. Irrota neljä ruuvia (D), alaterä (E) ja välilevy (F).



3. Irrota neljä ruuvia (G) ja yläterä (H).



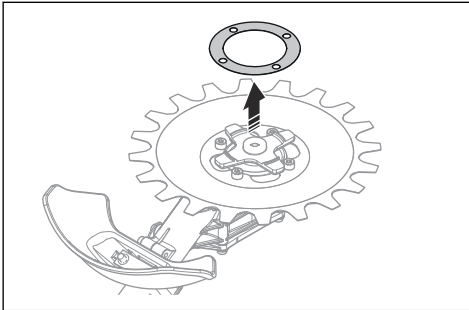
4. Asenna terät päinvastaisessa järjestyksessä. Kiristä ruuveja yhtä paljon asentaessasi teriä.

Terien välisen raon säätäminen



VAROITUS: Käytä suojakäsineitä, kun käsittelet teriä.

1. Irrota alaterä. Katso kohta *Terien vaihtaminen sivulla 111*.
2. Irrota välilevy.



Huomautus: Säästä välilevy siihen asti, kun on aika vaihtaa terät.

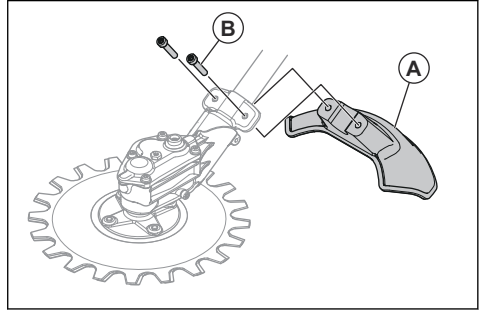
3. Asenna alaterä. Kiristä ruuveja yhtä paljon asentaessasi teriä.

Terälaitteen suojuksen vaihtaminen



VAROITUS: Käytä suojakäsineitä, kun käsittelet teriä.

- Irrota kaksi ruuvia (B) ja terälaitteen suojus (A).
- Kiinnitä uusi terälaitteen suojus (A) kahdella ruuvilla (B). Kiristä ruuveja yhtä paljon.



Kuljettaminen, säilyttäminen ja hävittäminen

Kuljetus ja säilytys

- Varmista, että kuljetussuojus on kiinnitetty oikein terälaitteeseen, kun laite ei ole käytössä, sitä kuljetetaan tai se on säilytyksessä.
- Säilytä terälaitetta lukitussa varastossa, jonne lapset ja asiattomat henkilöt eivät pääse.

- Vältä onnettomuudet ja laitteen vaurioituminen kiinnittämällä terälaite turvallisesti kuljetuksen ajaksi.
- Varmista, että terälaite on puhdistettu ja huollettu ennen pitkäaikaista säilytystä.

Tekniset tiedot

Tekniset tiedot

RA850	
Paino	
Paino, kg	2,5
Melupäästöt²⁵	
Äänen tehotaso, mitattu dB(A)	102
Äänentehotaso, taattu L _{WA} , dB(A)	105
Äänitasot²⁶	
Ekvivalentti äänenpainetaso käyttäjän korvan tasalla mitattuna standardien EN ISO 11806-1 ja ISO 22868 mukaan, dB(A)	
Varustettu hyväksytyllä lisävarusteella (alkuperäinen)	90
Tärinätasot²⁷	
Kahvojen vastaavat tärinätasot (a _{h_v,eq}) mitattuna standardien EN ISO 11806-1 ja ISO 22867 mukaan, m/s ²	
Varustettu hyväksytyllä lisävarusteella (alkuperäinen), vasen/oikea	3,9/4,8
Terät	
Halkaisija, mm	230
Veitsiterän nopeus, leikkuu/min	4600

²⁵ Melupäästöt ympäristöön äänentehona (L_{WA}) EY-direktiivin 2000/14/EY mukaisesti mitattuna. Laitteen ilmoitettu äänentehotaso on mitattu käyttäen alkuperäistä terälaitetta, joka antaa suurimman äänentehotason. Taatun ja mitatun äänitehon erona on se, että taattu ääniteho sisältää myös mitatun tuloksen hajonnan ja vaihtelun saman mallin eri laitteiden välillä direktiivin 2000/14/EY mukaisesti.

²⁶ Ilmoitetuilla tiedoilla vastaavasta laitteen äänenpainetasosta tyypillinen tilastollinen hajonta (vakiopoikkeama) on 1 dB(A).

²⁷ Ilmoitetuilla tiedoilla vastaavasta tärinätasosta tyypillinen tilastollinen hajonta (vakiopoikkeama) on 1 m/s².

EY-vaatimustenmukaisuusvakuutus

Husqvarna AB, SE-561 82 Huskvarna, Ruotsi, puh.:
+46-36-146500, vakuuttaa täten, että reciprocator
attachment **Husqvarna RA850** alkaen vuoden 2019
sarjanumeroista (vuosi on ilmoitettu arvokilvessä ennen
sarjanumeroa) on valmistettu noudattaen seuraavaa
NEUVOSTON DIREKTIIVIÄ:

- 17. toukokuuta 2006 annettu konedirektiivi
2006/42/EY.
- 8. kesäkuuta 2011 annettu direktiivi tiettyjen
vaarallisten aineiden käytön rajoittamisesta sähkö- ja
elektroniikkalaitteissa, **2011/65/EU**.
- 8. toukokuuta 2000 annettu direktiivi **2000/14/EY**,
joka koskee melupäästöjä ympäristöön.
Yhteensopivuus on määritelty Liitteen V mukaan.
Melupäästöjä koskevat tiedot löytyvät luvusta
Tekniset tiedot.

Seuraavia standardeja on sovellettu:

EN ISO 11806-1:2011, EN 50581:2012

RISE SMP Svensk Maskinprovning AB, Box 7035,
SE-750 07 Uppsala, Sweden on suorittanut
vapaaehtoisien tyyppitarkastuksen Husqvarna AB:lle.
Sertifikaattien numerot ovat: **SEC/19/2528**

Huskvarna, 2019-03-11



Per Gustafsson, kehityspäällikkö (Husqvarna AB:n
valtuutettu ja teknisestä dokumentaatiosta vastaava
edustaja)

Sommaire

Introduction.....	115	Entretien.....	122
Sécurité.....	117	Transport, entreposage et mise au rebut.....	125
Utilisation.....	121	Caractéristiques techniques.....	125
Montage.....	122	Déclaration de conformité CE.....	127

Introduction

Utilisation prévue



AVERTISSEMENT: L'accessoire de coupe ne doit être utilisé qu'avec des produits compatibles. Reportez-vous au manuel de l'opérateur correspondant au produit.

L'accessoire de coupe est utilisé pour couper de l'herbe et des brindilles.

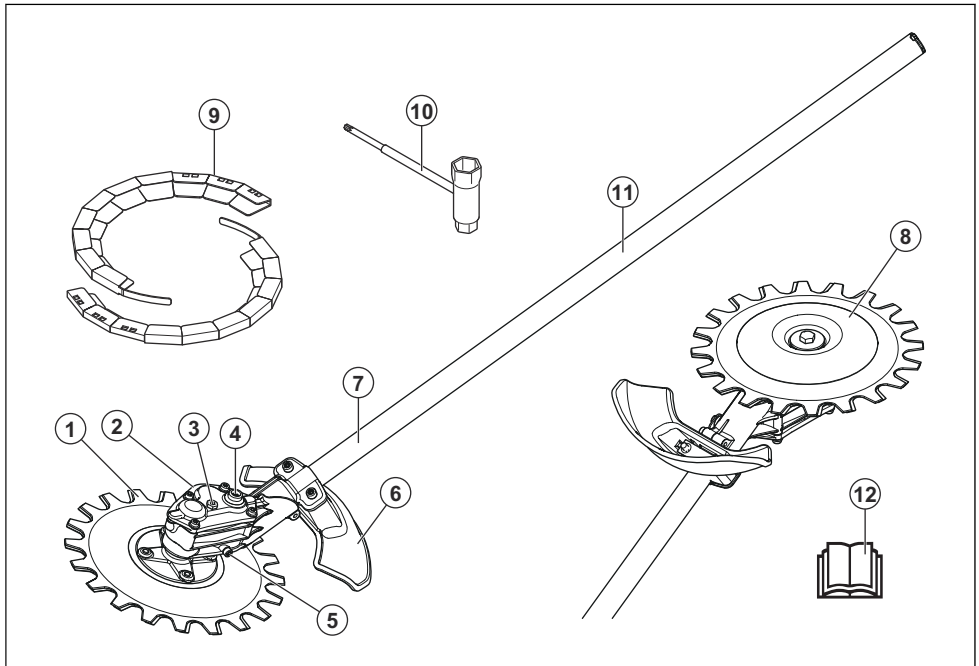
Remarque: La législation nationale peut imposer des limites à l'utilisation du produit.

Description du produit

Nous travaillons continuellement au développement de nos produits et nous réservons le droit d'en modifier, entre autres, la conception et l'aspect sans préavis.

Remarque: Le présent manuel concerne à la fois les blocs d'alimentation fonctionnant à l'essence et ceux alimentés par batterie.

Présentation de l'accessoire de coupe



1. Lame
2. Carter
3. Bouchon de graissage supérieur
4. Douille pour faire bouger les lames manuellement
5. Bouchon de graissage inférieur
6. Protection pour l'accessoire de coupe

7. Arbre
8. Bol de garde au sol
9. Protection de transport
10. Clé mixte
11. Autocollant d'information et d'avertissement
12. Manuel de l'opérateur

Symboles sur l'accessoire et le bloc d'alimentation



Une utilisation erronée ou négligente de cet accessoire peut occasionner des blessures graves, voire mortelles, pour l'utilisateur ou d'autres personnes.



Avant d'utiliser l'accessoire, lisez attentivement le manuel de l'opérateur et assimilez les instructions qu'il contient.



Utilisez un casque de protection dans les endroits où des objets peuvent tomber sur vous. Utilisez des protège-oreilles agréés. Utilisez des protections pour les yeux homologuées.



Portez toujours des gants de protection homologués.



Utilisez des bottes antidérapantes et stables.



Nombre maximal de coupes par minute.



Les flèches indiquent les limites de la position de la poignée.



Le produit peut entraîner la projection d'objets, ce qui peut causer des blessures.



Restez à une distance minimale de 15 m (50 pi) des personnes et des animaux pendant l'utilisation du produit.



L'opérateur doit veiller à ce qu'aucune personne ou animal ne se trouve à moins de 15 mètres. Lorsque plusieurs opérateurs partagent le même lieu de travail, la distance de sécurité doit être de 15 mètres au minimum. L'accessoire peut projeter violemment des objets pouvant ricocher. Ceci peut provoquer des blessures graves aux yeux si l'équipement de protection personnelle recommandé n'est pas utilisé.



Émissions sonores dans l'environnement selon la directive de la Communauté européenne. Les émissions de l'accessoire sont indiquées au chapitre *Caractéristiques techniques* à la page 125 et sur les autocollants.



Cet accessoire est conforme aux directives CE en vigueur.



Le produit est conforme aux directives EAC en vigueur.



Le produit est conforme aux directives en vigueur en Ukraine



Le produit est conforme aux directives australiennes et néo-zélandaises en matière de compatibilité électromagnétique.

yyyywwxxxx

L'autocollant signalétique indique le numéro de série. **yyyy** est l'année de production et **ww** est la semaine de production.

Remarque: Les autres symboles/autocollants présents sur l'accessoire concernent des exigences de certification spécifiques à certains marchés.

UE V



AVERTISSEMENT: toute altération du moteur a pour effet d'annuler l'homologation de type UE de ce produit.

CONSIGNES DE SÉCURITÉ IMPORTANTES

Définitions de sécurité

Des avertissements, des recommandations et des remarques sont utilisés pour souligner des parties spécialement importantes du manuel d'utilisation.



AVERTISSEMENT: Symbole utilisé en cas de risque de blessures ou de mort pour l'opérateur ou les personnes à proximité si les instructions du manuel ne sont pas respectées.



REMARQUE: Symbole utilisé en cas de risque de dommages pour le produit et/ou l'accessoire, d'autres matériaux ou les environs si les instructions du manuel ne sont pas respectées.

Remarque: Symbole utilisé pour donner des informations supplémentaires pour une situation donnée.

Lisez toutes les instructions



AVERTISSEMENT: Lors de l'utilisation d'appareils de jardinage, des précautions élémentaires de sécurité doivent toujours être observées afin de réduire les risques d'incendie, de décharge électrique et de blessures corporelles, y compris ce qui suit :

Instructions générales de sécurité



AVERTISSEMENT: Lisez les consignes de sécurité qui suivent avant d'utiliser l'accessoire.

- Lisez attentivement et assimilez le manuel d'utilisation avant d'utiliser l'accessoire.
- Ces consignes complètent les instructions fournies avec le produit. Pour d'autres procédures, veuillez vous reporter aux instructions d'utilisation du produit.
- Ne modifiez jamais l'accessoire sans l'autorisation du fabricant. N'utilisez pas un accessoire qui semble avoir été modifié par un tiers et utilisez toujours des accessoires d'origine. Des modifications non autorisées et/ou l'emploi d'accessoires non homologués peuvent provoquer des accidents

graves, voire mortels, à l'utilisateur ou d'autres personnes.

- Une exposition excessive aux vibrations peut entraîner des troubles circulatoires ou nerveux chez les personnes sujettes à des troubles cardio-vasculaires. Consultez un médecin en cas de symptômes liés à une exposition excessive aux vibrations. De tels symptômes peuvent être : engourdissement, perte de sensibilité, chatouillements, picotements, douleur, faiblesse musculaire, décoloration ou modification épidermique. Ces symptômes affectent généralement les doigts, les mains ou les poignets. Ces symptômes peuvent être accentués par le froid.

Consignes de sécurité pour le fonctionnement



AVERTISSEMENT: Lisez les instructions qui suivent avant d'utiliser le produit.

- Utilisez uniquement le produit pour les opérations décrites dans le présent manuel. Reportez-vous à la section *Utilisation prévue à la page 115*.
- N'utilisez pas le produit si vous n'êtes pas sûr de pouvoir le faire.
- N'utilisez pas le produit si vous êtes fatigué ou malade, ou si vous êtes sous l'emprise d'alcool, de drogues ou de médicaments. Cela peut diminuer votre acuité visuelle, votre jugement ou la coordination de vos mouvements.
- N'utilisez pas le produit si vous ne pouvez pas être secouru en cas d'accident.
- N'utilisez pas le produit si vous détectez des signes de dommage.
- Assurez-vous que l'accessoire de coupe s'arrête toujours quand le moteur est au régime de ralenti.
- Assurez-vous que personne ne se trouve à moins de 15 m (50 pi) de vous lorsque vous utilisez l'accessoire. Assurez-vous que seules les personnes autorisées se trouvent dans la zone de travail.
- Mettez le produit hors de portée des enfants et ne les laissez pas l'utiliser.
- Veillez à ce que la zone de travail reste propre et bien éclairée. N'utilisez pas le produit par mauvais temps, par exemple en cas de brouillard, de forte pluie, de vent violent, de froid intense, de risque d'éclair.
- Si quelque chose se coince dans les lames pendant l'utilisation, arrêtez le moteur et attendez que les lames ne bougent plus. Déposez le capuchon de la bougie / retirez la batterie. Insérez la clé mixte dans la douille du carter d'engrenage pour faire bouger les lames. Reportez-vous à la section *Pour aiguiser les lames à la page 123*.

- Si les lames sont endommagées au cours de l'utilisation, les lames supérieure et inférieure peuvent se coincer entre elles. Ne touchez pas les lames ; elles peuvent bouger brusquement et provoquer des blessures.
- Veillez à vous tenir dans une position stable et sûre pendant l'utilisation du produit.
- Le produit peut projeter des objets à grande vitesse. Assurez-vous que toutes les personnes se trouvant dans la zone de travail portent un équipement de protection individuel homologué. Veillez à ce qu'il ne reste pas d'objets meubles dans la zone de travail.
- Surveillez la zone de travail lorsque vous portez des protège-oreilles. Enlevez toujours vos protège-oreilles dès que le moteur s'arrête.
- Si le produit génère des vibrations inhabituelles, arrêtez le moteur. Si vous disposez d'un produit fonctionnant à l'essence, déposez le capuchon de la bougie. Si vous disposez d'un produit alimenté par batterie, retirez la batterie. Recherchez-en immédiatement la cause. Les vibrations sont généralement le signe d'un dommage.
- Ne vous éloignez pas du produit lorsque le moteur est allumé.
- Tenez l'appareil avec les deux mains. Tenez l'appareil du côté droit du corps. Utilisez le produit avec l'accessoire de coupe sous le niveau de votre taille.



- En fonctionnement, l'accessoire de coupe doit être maintenu à distance de l'opérateur. Couper en direction de l'opérateur peut provoquer des blessures graves.
- Veillez à ce que ni vos mains ni vos pieds ne soient à proximité des lames quand le moteur est allumé.

Équipement de protection individuel

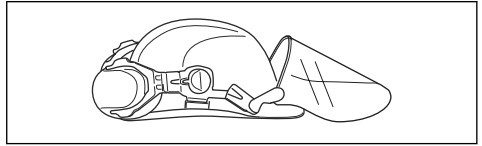


AVERTISSEMENT: Lisez les instructions qui suivent avant d'utiliser le produit.

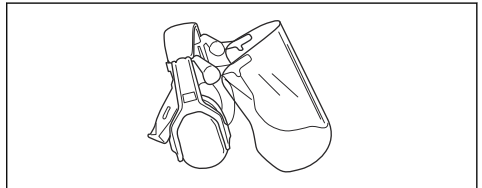
- Portez toujours un équipement de protection individuel homologué lorsque vous utilisez le produit. L'équipement de protection individuel ne protège pas complètement des blessures, mais il diminue la gravité des blessures en cas d'accident. Faites appel

à votre revendeur pour vous aider à sélectionner l'équipement adéquat.

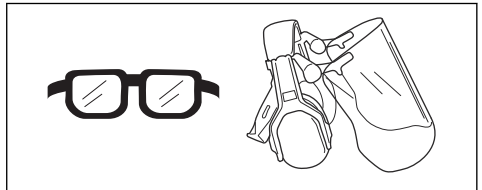
- Portez un casque de protection lorsqu'il y a un risque de chute d'objets.



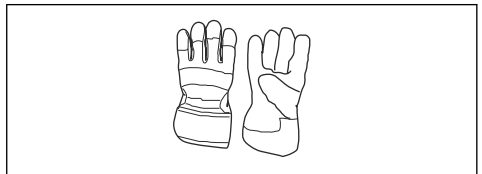
- Une exposition prolongée au bruit risque de causer des lésions auditives. En règle générale, les produits alimentés par batterie sont relativement silencieux mais peuvent s'avérer dangereux si le bruit s'accompagne d'une utilisation prolongée. Husqvarna recommande aux utilisateurs de porter des protecteurs d'oreille lorsque le temps d'utilisation total est supérieur à une journée. Les utilisateurs réguliers doivent contrôler fréquemment leur audition. Veillez noter que les protecteurs d'oreilles limitent la capacité à entendre les sons et les signaux d'avertissement.



- Utilisez des protections pour les yeux homologuées. L'usage d'une visière doit toujours s'accompagner du port de lunettes de protection homologuées. Les lunettes de protection doivent être conformes aux normes ANSI Z87.1 (États-Unis) ou EN 166 (pays de l'UE).



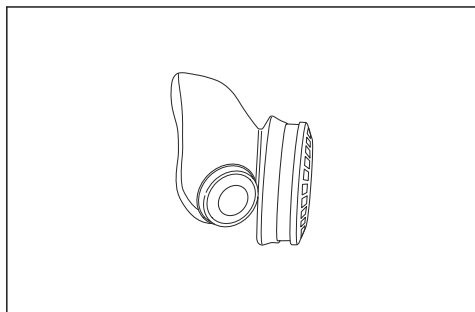
- Portez des gants de protection en cas de besoin, par exemple lorsque vous examinez ou nettoyez le produit.



- Utilisez des bottes de protection ou des chaussures équipées de semelles antidérapantes.



- Portez des vêtements fabriqués dans un matériau résistant. Portez toujours des pantalons longs, épais et des manches longues. Ne portez pas de vêtements amples qui risqueraient de se prendre dans les brindilles et les branches. Ne portez pas de bijoux, de shorts, de chaussures ouvertes et ne marchez pas pieds nus. Attachez correctement vos cheveux au-dessus de vos épaules.
- Utilisez une protection respiratoire lorsqu'il y a un risque de présence de poussières.



- Gardez toujours une trousse de premiers soins à portée de main.



Dispositifs de sécurité sur l'accessoire



AVERTISSEMENT: Lisez les instructions qui suivent avant d'utiliser l'accessoire.

Ce chapitre présente les fonctions de sécurité de l'accessoire, leur but et les instructions de contrôle et d'entretien afin de garantir son bon fonctionnement. Consultez les instructions à la section *Présentation de l'accessoire de coupe à la page 115* pour savoir où se trouvent ces équipements sur votre accessoire.

La durée de vie de l'accessoire risque d'être écourtée et le risque d'accidents accru si l'entretien de l'accessoire n'est pas effectué correctement et si les mesures

d'entretien et/ou de réparation ne sont pas effectuées de manière professionnelle. Pour plus d'informations, contactez l'atelier de réparation du revendeur le plus proche.



AVERTISSEMENT: N'utilisez jamais un accessoire dont les équipements de sécurité sont défectueux. Contrôlez et entretenez les équipements de sécurité de l'accessoire conformément aux instructions données dans ce chapitre. Si les contrôles de l'accessoire ne donnent pas de résultat positif, contactez votre agent d'entretien pour le faire réparer.



AVERTISSEMENT: L'entretien et la réparation du produit exigent une formation spéciale. Cela concerne particulièrement l'équipement de sécurité du produit. Si les contrôles suivants ne donnent pas un résultat positif, adressez-vous à un atelier spécialisé. L'achat de l'un de nos produits offre à l'acheteur la garantie d'un service et de réparations qualifiés. Si le point de vente n'assure pas ce service, adressez-vous à l'atelier spécialisé le plus proche.

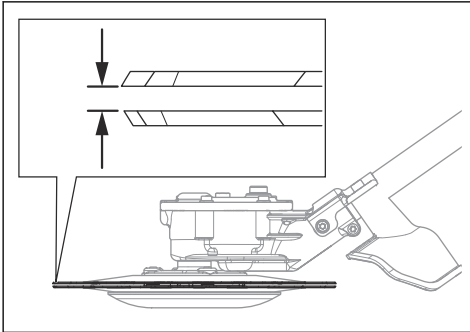
Contrôlez l'accessoire de coupe et sa protection.



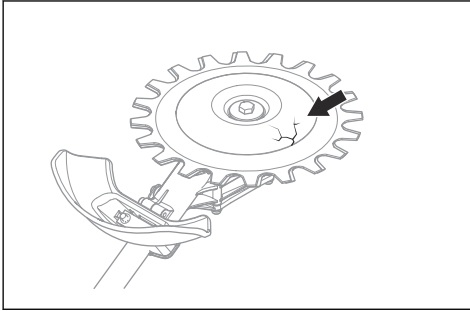
AVERTISSEMENT: N'utilisez pas d'accessoire de coupe sans une protection d'accessoire de coupe homologuée. L'installation d'une protection d'accessoire de coupe incorrecte ou défectueuse peut provoquer des blessures.

1. Arrêtez le moteur et assurez-vous que l'accessoire de coupe s'arrête.
2. Si vous disposez d'un produit fonctionnant à l'essence, déposez le capuchon de la bougie. Si vous disposez d'un produit alimenté par batterie, retirez la batterie du produit.
3. Mettez des gants de protection.
4. Assurez-vous que les lames ne sont pas endommagées. Remplacez les lames si elles sont endommagées. Reportez-vous à la section *Pour remplacer les lames à la page 124*.

5. Examinez les lames. Vérifiez qu'il n'y a pas d'écartement entre les lames. S'il y a un écartement entre les lames, elles doivent être réglées. Reportez-vous à la section *Pour régler l'écartement entre les lames à la page 124.*

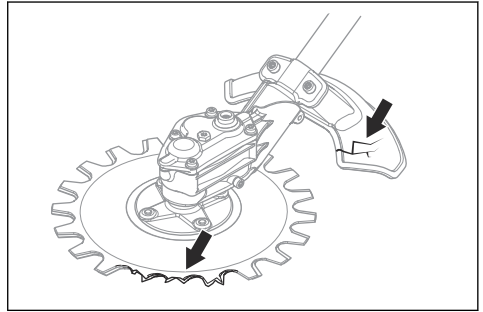


6. Assurez-vous que le bol de garde au sol n'est pas endommagé. Remplacez le bol de garde au sol s'il est endommagé.



7. Assurez-vous que les vis sur l'accessoire de coupe sont serrées.

8. Assurez-vous que les lames et la protection de l'accessoire de coupe ne sont pas endommagées. Remplacez les pièces endommagées.



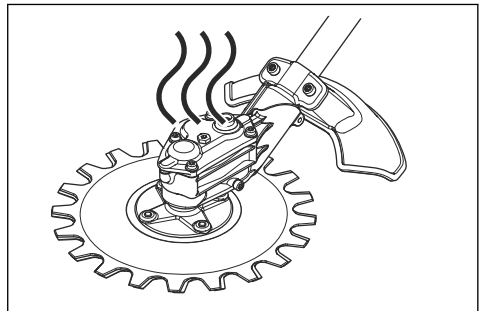
Consignes de sécurité pour l'entretien



AVERTISSEMENT: L'accessoire de coupe peut continuer à tourner une fois la gâchette d'accélération/de puissance relâchée. Si vous disposez d'un produit fonctionnant à l'essence, déposez le capuchon de la bougie. Si vous disposez d'un produit alimenté par batterie, retirez la batterie du produit. Assurez-vous que l'accessoire de coupe est à l'arrêt complet avant de procéder à l'entretien.



AVERTISSEMENT: Le carter d'engrenage devient chaud pendant l'utilisation du produit. Vous risquez de vous brûler avec les surfaces chaudes ; ne touchez pas le carter d'engrenage.



- Portez toujours des gants de protection robustes lorsque vous réparez l'accessoire de coupe. L'accessoire de coupe est très tranchant et peut facilement provoquer des coupures.

- Utilisez uniquement des pièces de rechange d'origine pour les réparations.

CONSERVEZ LES PRÉSENTES INSTRUCTIONS

Utilisation

La technique de travail



AVERTISSEMENT: Des branches ou de l'herbe peuvent se coincer entre la protection de l'accessoire de coupe et l'accessoire de coupe lui-même. Arrêtez toujours le moteur avant de nettoyer l'accessoire de coupe.

- Utilisez le produit à plein régime pour couper et remettez-le au régime de ralenti après chaque coupe.

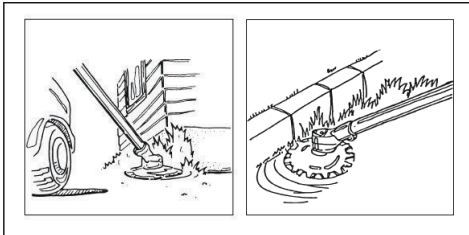


REMARQUE: Le moteur risque d'être endommagé s'il tourne trop longtemps à plein régime sans charge.

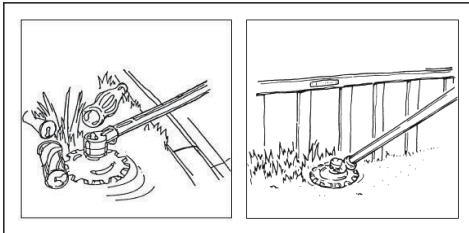
Utilisation recommandée de l'accessoire de coupe

Les lames de l'accessoire de coupe bougent à un angle très fermé et peuvent couper dans toutes les directions. Longez le sol avec l'accessoire de coupe, à une hauteur où le bol de garde au sol touche le sol. Utilisez l'accessoire de coupe pour couper :

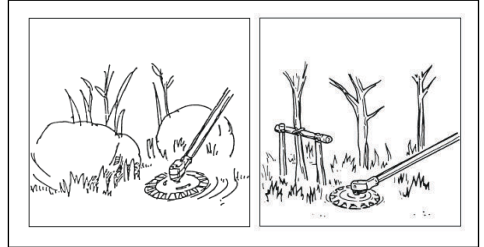
- Espaces verts et bords de route.



- Bords de route et à proximité de clôtures.



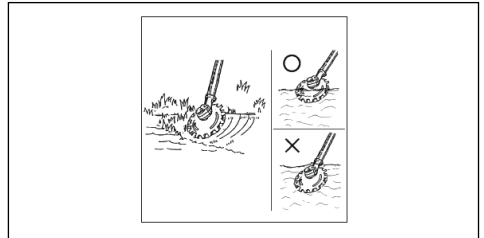
- Autour de pierres et d'arbres.



- Près de points d'eau.



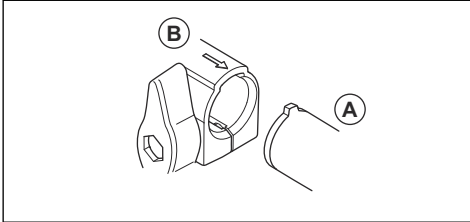
REMARQUE: N'immergez pas le carter d'engrenage dans l'eau.



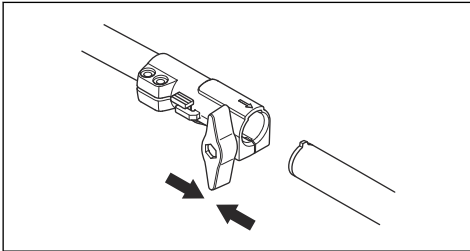
Montage

Pour monter l'arbre démontable

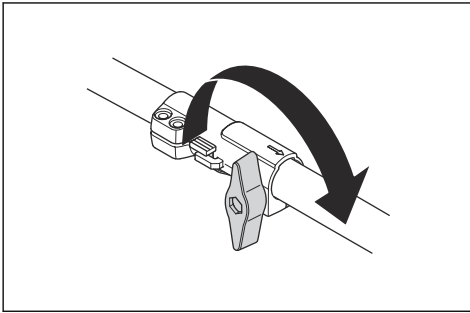
1. Tournez le bouton pour desserrer le raccord.
2. Alignez la languette de l'accessoire de coupe (A) sur la flèche du raccord (B).



3. Poussez prudemment l'arbre dans le raccord jusqu'à ce que vous entendiez un déclic.

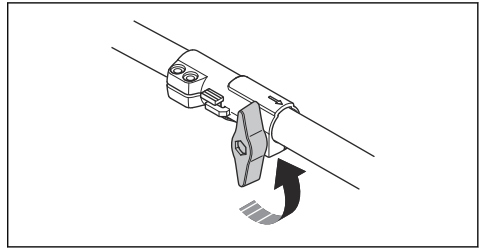


4. Serrez complètement le bouton.

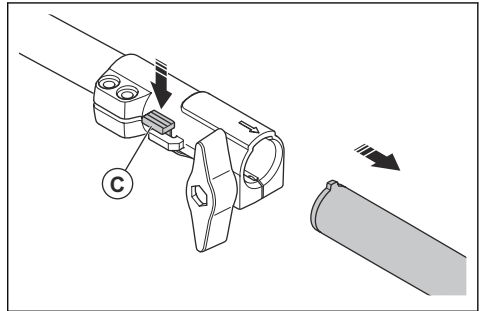


Démontage de l'arbre démontable

1. Tournez le bouton sur 3 tours pour desserrer le raccord.



2. Appuyez sur le bouton (C) et maintenez-le enfoncé.
3. Tenez fermement l'extrémité de l'arbre auquel le moteur est fixé.
4. Tirez l'accessoire bien droit pour le sortir du raccord.



Entretien

Introduction

Nous donnons ici quelques conseils d'entretien à caractère général. Pour plus d'informations, contacter l'atelier de réparation.

Calendrier d'entretien

La liste ci-dessous indique les étapes d'entretien à effectuer sur l'accessoire de coupe.

Remarque: L'opérateur doit uniquement effectuer les opérations d'entretien et de réparation sur l'accessoire de coupe qui sont indiquées dans le présent manuel de l'opérateur. Toutes les opérations d'entretien et de réparation doivent être effectuées par un atelier de réparation agréé.

Entretien	Au quoti- dien	Toutes les sem- aines	Une fois par mois
Nettoyez les pièces externes du produit.	X		
Assurez-vous que les lames ne sont pas endommagées. Remplacez les lames si elles sont endommagées.	X		
Assurez-vous que la protection de l'accessoire de coupe n'est pas endomma- gée. Remplacez la protection de l'accessoire de coupe si celle-ci est endomma- gée.	X		
Assurez-vous que le bol de garde au sol n'est pas endommagé. Remplacez le bol de garde au sol s'il est endommagé.	X		
Assurez-vous que les vis et les écrous sont serrés.	X		
Remplissez le carter de graisse avec de la graisse, environ toutes les 100 heures de service.		X	

Pour nettoyer et lubrifier les lames

1. Nettoyez les lames afin d'enlever les matériaux indésirables avant et après l'utilisation du produit.
2. Lubrifiez les lames avant les périodes de remisage prolongées.

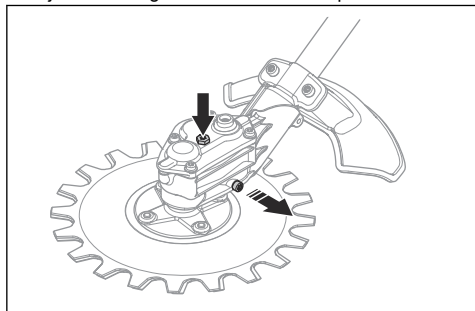
Remarque: Pour davantage d'informations sur les nettoyeurs et lubrifiants recommandés, contactez votre atelier d'entretien.

Pour lubrifier le carter d'engrenage



REMARQUE: Ne remplissez pas entièrement le carter d'engrenage. Si le carter d'engrenage est plein, la graisse peut endommager les joints et provoquer des fuites.

1. Déposez les bouchons de graissage.
2. Ajoutez de la graisse dans le trou supérieur.



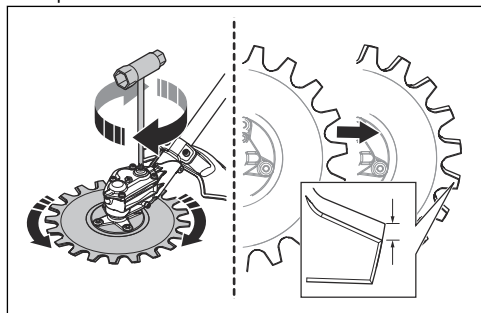
3. Réinstallez les bouchons de graissage.

Pour aiguiser les lames

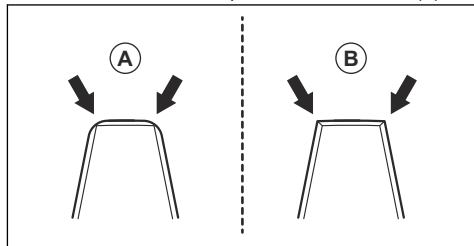


AVERTISSEMENT: Portez toujours des gants de protection lorsque vous manipulez les lames.

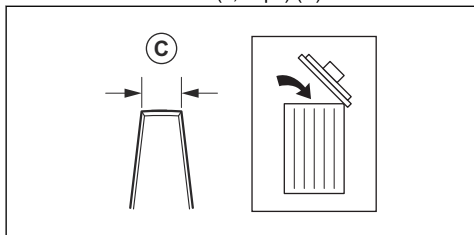
1. Insérez la clé mixte dans la douille sur le carter d'engrenage.
2. Tournez la clé mixte jusqu'à ce qu'il y ait une différence de 3 mm (0,12 po) entre la lame supérieure et la lame inférieure.



3. Aiguissez les bords (B) accessibles à l'aide d'une meuleuse. Veillez à ne pas arrondir les bords (A).



4. Tournez la clé mixte dans le sens opposé pour accéder aux bords opposés.
5. Aiguisiez les bords accessibles à l'aide d'une meuleuse.
6. Remplacez les lames lorsque la largeur de la dent est inférieure à 8 mm (0,32 po) (C).



Pour remplacer les lames



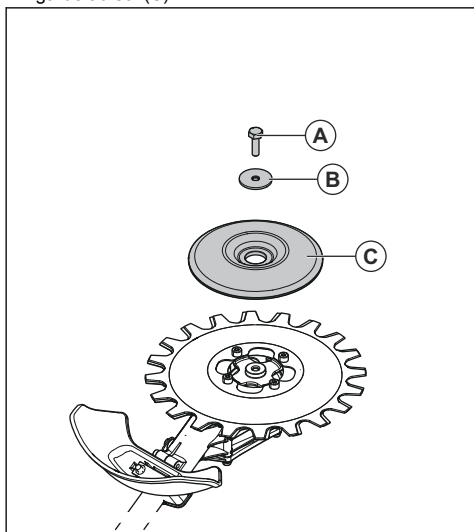
AVERTISSEMENT: Portez toujours des gants de protection lorsque vous manipulez les lames.



AVERTISSEMENT: Pour éviter tout déséquilibre et toute vibration dans le produit, nettoyez l'accessoire de coupe lorsque vous remplacez les lames.

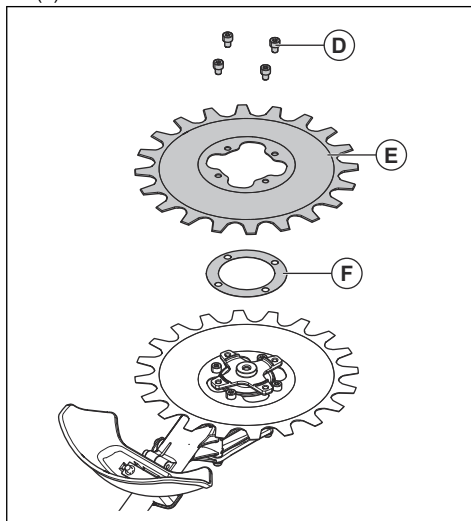
Remarque: Les lames sont interchangeables.

1. Retirez la vis centrale (A), la rondelle (B) et le bol de garde au sol (C).

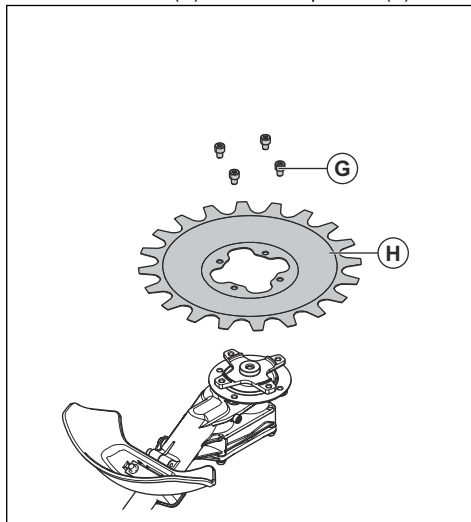


Remarque: La vis centrale est filetée à gauche.

2. Retirez les 4 vis (D), la lame inférieure (E) et la cale (F).



3. Retirez les 4 vis (G) et la lame supérieure (H).



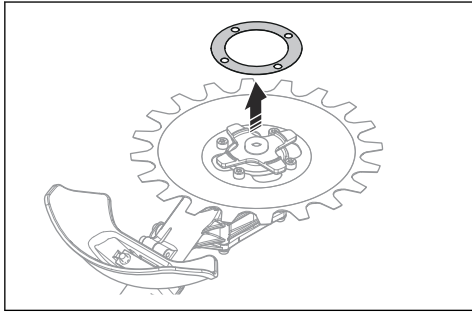
4. Installez les lames en procédant dans l'ordre inverse. Serrez les vis uniformément lorsque vous installez les lames.

Pour régler l'écartement entre les lames



AVERTISSEMENT: Portez toujours des gants de protection lorsque vous manipulez les lames.

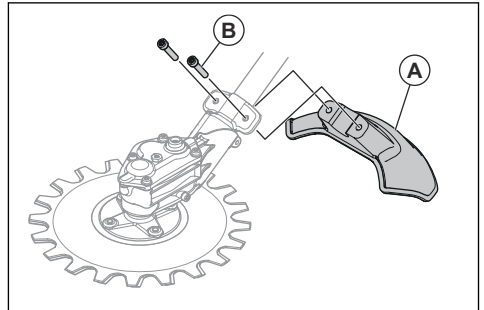
1. Retirez la lame inférieure. Reportez-vous à la section *Pour remplacer les lames à la page 124*.
2. Retirez la cale.



Remarque: Mettez la cale en lieu sûr jusqu'à ce que vous deviez à nouveau remplacer les lames.

3. Installez la lame inférieure. Serrez les vis uniformément lorsque vous installez les lames.

- Retirez les 2 vis (B) et la protection de l'accessoire de coupe (A).
- Installez la nouvelle protection de l'accessoire de coupe (A) à l'aide des 2 vis (B). Serrez les vis uniformément.



Pour remplacer la protection de l'accessoire de coupe



AVERTISSEMENT: Portez toujours des gants de protection lorsque vous manipulez les lames.

Transport, entreposage et mise au rebut

Transport et rangement

- Assurez-vous que la protection de transport est correctement fixée sur l'accessoire de coupe lorsque le produit n'est pas utilisé, lorsqu'il est transporté ou s'il est rangé.
- Conservez l'accessoire de coupe dans un endroit fermé à clé afin que des enfants ou des personnes qui ne sont pas autorisées à l'utiliser ne puissent pas y avoir accès.
- Fixez soigneusement l'accessoire de coupe pendant son transport afin d'éviter tout dommage ou accident.
- Assurez-vous que l'accessoire de coupe est propre et que son entretien complet a été effectué avant de le ranger pour une période prolongée.

Caractéristiques techniques

Caractéristiques techniques

RA850	
Poids	
Poids, kg	2,5
Émissions sonores²⁸	

²⁸ Les émissions sonores dans l'environnement sont mesurées en puissance sonore (L_{WA}) conformément à la directive CE 2000/14/CE de l'Union européenne. Le niveau de puissance sonore reporté pour la machine a été mesuré avec l'accessoire de coupe d'origine qui donne le niveau le plus élevé. Le niveau de puissance sonore garanti diffère du niveau mesuré en cela qu'il prend également en compte la dispersion et les variations d'une machine à l'autre du même modèle, conformément à la directive 2000/14/CE.

RA850	
Niveau de puissance sonore, mesuré dB(A)	102
Niveau de puissance sonore, garanti L_{WA} , dB(A)	105
Niveaux sonores²⁹	
Pression sonore équivalente au niveau des oreilles de l'utilisateur, mesurée selon les normes EN ISO 11806-1 et EN ISO 22868, dB(A)	
Équipée d'un accessoire homologué (d'origine)	90
Niveaux de vibrations³⁰	
Niveaux de vibrations équivalents ($a_{hv,eq}$) au niveau des poignées, mesurés selon les normes EN ISO 11806-1 et ISO 22867, m/s^2	
Équipée d'un accessoire homologué (d'origine), gauche/droite	3,9/4,8
Lames	
Diamètre, mm	230
Vitesse des lames, taille/min	4 600

²⁹ Les données reportées pour le niveau de pression sonore équivalent pour la machine montrent une dispersion statistique typique (déviat ion standard) de 1 dB(A).

³⁰ Les données reportées pour le niveau de vibrations équivalent montrent une dispersion statistique type (déviat ion standard) de 1 m/s^2 .

Déclaration de conformité CE

Déclaration de conformité CE

Nous, **Husqvarna AB**, SE-561 82 Huskvarna, Suède, tél. : +46-36-146500, déclarons que l'reciprocator attachment **Husqvarna RA850** à partir des numéros de série de l'année de fabrication 2019 et ultérieurement (l'année est clairement indiquée sur la plaque signalétique et suivie du numéro de série) est conforme aux dispositions de la DIRECTIVE DU CONSEIL :

- du 17 mai 2006 « relative aux machines » **2006/42/CE**.
- du 8 juin 2011 « relative à la limitation de l'utilisation de certaines substances dangereuses au sein d'équipements électriques et électroniques » **2011/65/UE**.
- du 8 mai 2000 « émissions sonores dans l'environnement » **2000/14/CE**. Évaluation de la conformité conformément à l'annexe V. Pour les informations concernant les émissions sonores, consultez le chapitre Caractéristiques techniques.

Les normes harmonisées suivantes ont été appliquées :

EN ISO 11806-1:2011, EN 50581:2012

RISE SMP Svensk Maskinprovning AB, Box 7035, SE-750 07 Uppsala, Sweden a procédé à des tests de type facultatifs pour le compte de Husqvarna AB. Les certificats ont les numéros : **SEC/19/2528**

Huskvarna, 2019-03-11



Per Gustafsson, Directeur du développement
(Représentant autorisé d'Husqvarna AB et responsable de la documentation technique.)

TARTALOMJEGYZÉK

Bevezető.....	128	Karbantartás.....	135
Biztonság.....	130	Szállítás, tárolás és ártalmatlanítás.....	138
Üzemeltetés.....	133	Műszaki adatok.....	138
Összeszerelés.....	134	EK megfelelőségi nyilatkozat.....	140

Bevezető

Rendeltetésszerű használat



FIGYELMEZTETÉS: A vágófelszerelés kizárólag kompatibilis termékekkel használható. Tekintse át a termék használati utasítását.

A vágófelszerelés fű és gallyak vágására szolgál.

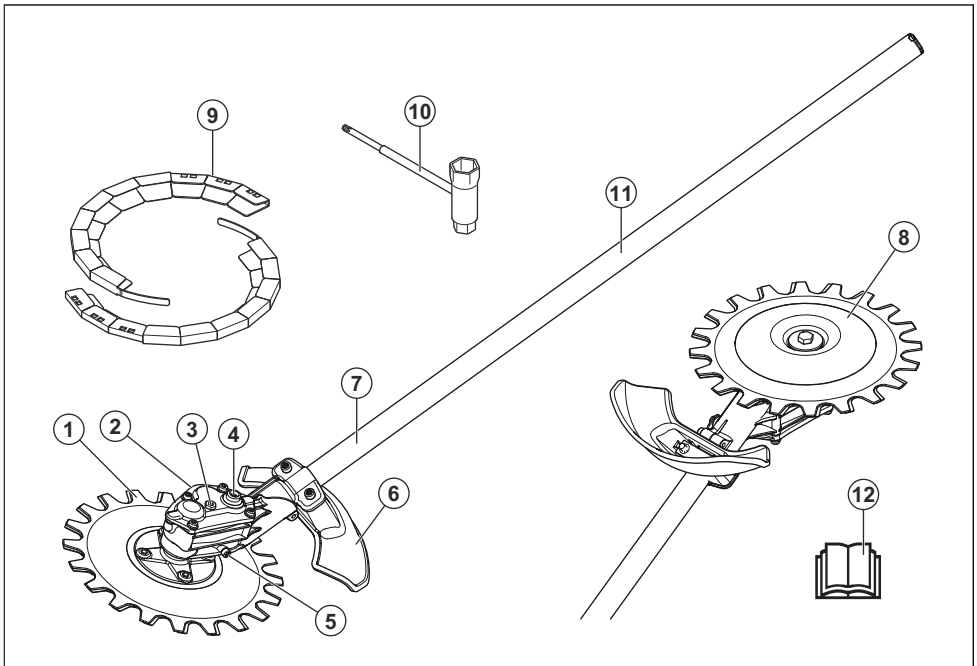
Megjegyzés: A termék működtetésére nemzeti jogszabályok általi korlátozások vonatkozhatnak.

Termékleírás

Folyamatosan fejlesztjük termékeinket, ezért fenntartjuk a jogot a termékek kialakításának és megjelenésének előzetes figyelmeztetés nélküli megváltoztatására.

Megjegyzés: A jelen kézikönyv a benzines és az akkumulátoros tápegységekre egyaránt vonatkozik.

A vágófelszerelés áttekintése



1. Kés
2. Sebváltóház
3. Felső zsírzócsavar

4. Csatlakozó a kések manuális mozgatásához
5. Alsó zsírzócsavar
6. A vágófelszerelés védőburkolata

7. Nyél
8. Támasztócsésze
9. Szállításnál használt védőburkolat
10. Kombinált kulcs
11. Tájékoztató és figyelmeztető címke
12. Kezelői kézikönyv

A tartozék és a tápegység szimbólumai



A tartozék nem körültekintő vagy helytelen használata a kezelő vagy más személyek súlyos vagy halálos sérülését okozhatja.



Olvassa el figyelmesen a használati utasítást, és győződjön meg róla, hogy megértette azt a tartozék használatba vétele előtt.



Használjon védősisakot minden olyan helyen, ahol tárgyak hullhatnak le. Használjon jóváhagyott fülvédőt. Használjon jóváhagyott védőszemüveget.



Használjon mindig megfelelő védőkesztyűt.



Használjon stabil, nem csúszós csizmát.



Maximális vágások száma percenként.



A nyílak a fogantyú véghelyezeteit mutatják.



A termék tárgyakat repíthet szét, amelyek sérülést okozhatnak.



A termék használata közben tartson legalább 15 méteres (50 láb) távolságot az emberektől és az állatoktól.



A kezelő ügyeljen arra, hogy se ember, se állat ne jöjjön 15 m-nél közelebb. Ha ugyanazon a munkaterületen többen is dolgoznak, legalább 15 méteres biztonsági távolságot kell tartani. A tartozék nagy erővel fújhat ki tárgyakat, amelyek visszapattanhatnak. Ez a javasolt biztonsági felszerelés használatának mellőzése esetén súlyos megsérülést okozhat.



Az Európai Közösség irányelveinek megfelelő környezeti zajkibocsátás. A tartozék kibocsátási adatai megtalálhatók a *Műszaki adatok 138. oldalon* című fejezetben és a címkén.



Ez a tartozék megfelel a vonatkozó EK irányelveknek.



Ez a termék megfelel a vonatkozó EAC-irányelveknek.



Ez a termék megfelel az Ukrajnában hatályos irányelveknek.



Ez a termék megfelel a vonatkozó elektromágneses megfelelésre irányuló ausztrál és új-zélandi irányelveknek.

ééééhhxxxx

A sorozatszám a sorozatszámcímkén szerepel. **éééé** a gyártási év, **hh** pedig a gyártási hét.

Megjegyzés: A tartozékon szereplő többi jel/címke egyes piacok specifikus vizsgáztatási követelményeire vonatkozik.

EU V



FIGYELMEZTETÉS: A motor módosítása érvényteleníti a termékre vonatkozó európai uniós típusjóvá hagyást.

FONTOS BIZTONSÁGI ELŐÍRÁSOK

Biztonsági meghatározások

A figyelmeztetések, óvintézkedések és megjegyzések a használati utasítás kiemelten fontos részeire hívják fel a figyelmet.



FIGYELMEZTETÉS: Akkor használatos, ha a kézikönyv utasításainak be nem tartása esetén fennáll a kezelő vagy a közelben tartózkodók sérülésének vagy halálának veszélye.



VIGYÁZAT: Akkor használatos, ha a kézikönyv utasításainak be nem tartása esetén fennáll a vagyoni kár, illetve a termék és/vagy a tartozék vagy a környező területen lévő anyagok károsodásának veszélye.

Megjegyzés: További információt biztosít az adott helyzetben szükséges tennivalókról.

Minden utasítást olvasson el



FIGYELMEZTETÉS: Elektromos kerti készülékek használata esetén a tűz, az áramütés és a személyi sérülések kockázatának csökkentése érdekében mindig be kell tartani az alapvető biztonsági óvintézkedéseket, beleértve a következőket:

Általános biztonsági utasítások



FIGYELMEZTETÉS: A tartozék használata előtt olvassa el a biztonsági utasításokat.

- Olvassa el figyelmesen a használati utasítást, és győződjön meg róla, hogy megértette azt a tartozék használatba vétele előtt.
- Ezek az utasítások a termékkel kapott utasítások kiegészítésül szolgálnak. A többi eljárást a termék használati utasításában találja meg.
- A tartozék kivitelezésén a gyártó cég engedélye nélkül semmilyen módosítást sem szabad végezni. Ne használjon olyan tartozékokat, amelyet esetleg módosítottak, és mindig eredeti kiegészítőket használjon. Nem engedélyezett módosítások és/

vagy pótalkatrészek komoly sérülésekhez vagy halálos balesetekhez vezethetnek.

- Az erős rezgés miatt a vérkeringési zavarokban szenvedő személyeknél ér- vagy idegsérülések léphetnek fel. Forduljon orvoshoz, ha olyan tüneteket tapasztal, amelyek az erős rezgés hatására jöhetnek létre. Ezek a tünetek többek között zsibbadás, érzéskiesés, bizsergés, szúró érzés, fájdalom, erőtlenység, a bőr színének vagy felületének megváltozása. A tünetek többnyire az ujjakban, a kézben vagy a csuklóban jelentkeznek. Az alacsony külső hőmérséklet súlyosbíthatja a tüneteket.

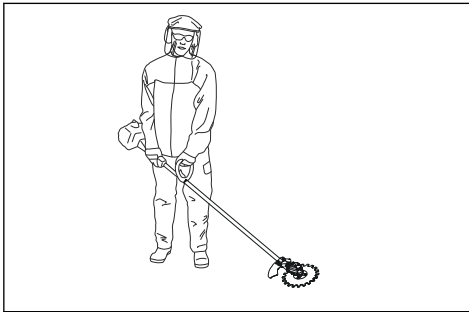
Biztonsági utasítások az üzemeltetéshez



FIGYELMEZTETÉS: A termék használata előtt olvassa el az alábbi figyelmeztetéseket.

- A terméket csak a kézikönyvben ismertetett műveletekre használja. Lásd: *Rendeltetésszerű használat 128. oldal*.
- Ne használja a terméket, amennyiben nem biztos benne, hogy képes-e annak működtetésére.
- Ne használja a terméket, ha fáradt, beteg, illetve alkohol, drog vagy gyógyszer hatása alatt áll. Ezek ronthatják a látását, itélőképességét vagy koordinációját.
- Ne használja a terméket, ha baleset esetén nem kaphat segítséget.
- Ne használja a terméket, ha sérülés jeleit látja.
- Ellenőrizze, hogy a vágófelszerelés teljesen leáll-e, amikor a motor alapjáratú fordulatszámra működik.
- Ügyeljen arra, hogy vágás közben senki ne jöjjön 15 méternél közelebb. Győződjön meg arról, hogy csak illetékes személyek tartózkodnak a munkaterületen.
- Ne engedje, hogy gyermekek használják a terméket, vagy hogy annak közelében tartózkodjanak.
- Tartsa a munkaterületet tisztán és megfelelő fényviszonyok között. Ne használja a terméket rossz időben, például ködben, zuhogó esőben, erős szélben, rendkívüli hidegben, villámáskor stb.
- Ha működtetés közben valami a kések közé akad, állítsa le a motort, és várjon, amíg a kések leállnak. Távolítsa el a gyertyapipát a gyújtógyertyáról/vegye ki az akkumulátort. Helyezze a kombinált kulcsot a sebváltóházhoz lévő csatlakozóba a kések mozgatásához, lásd: *A kések élezése 136. oldal*.
- Ha működtetés közben a kések megsérülnek, az alsó és felső – egymásba akadhatnak. Ne érjen hozzá a késekhez – hirtelen megmozdulhatnak, és sérülést okozhatnak.
- A gép működtetése során ügyeljen a biztonságos, stabil testtartásra.

- A termék nagy sebességgel tárgyakat repíthet szét. Ügyeljen arra, hogy a munkaterületen tartózkodó személyek jóváhagyott személyi biztonsági felszerelést viseljenek. Távolítsa el a mozdítható tárgyakat a munkaterületről.
- Fülvédő viselése esetén folyamatosan figyelje a munkaterületet. A motor leállítás után mindig vegye le a fülvédőt.
- Ha a termék szokatlan módon kezd rezegni, állítsa le a motort. Amennyiben benzines termékkel dolgozik, távolítsa el gyertyapipát a gyújtógyertyáról.
- Amennyiben a termék akkumulátoros, távolítsa el az akkumulátort. Azonnal ellenőrizze, hogy mi lehet a rezgés oka. A rezgés általában sérülést jelez.
- Ne hagyja magára a terméket, ha a motor jár.
- Két kézzel tartsa a terméket. Tartsa a terméket teste jobb oldalán. Használat közben a vágófelszerelés legyen a derékszint alatt.



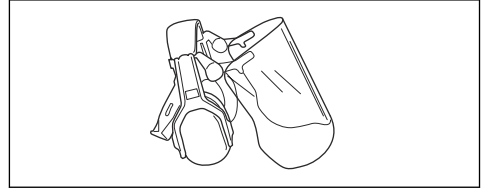
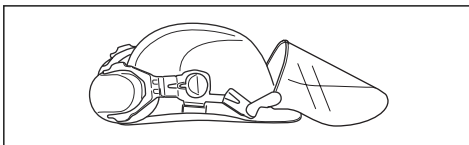
- A vágófelszerelésnek a kezelőtől elfelé kell néznie. A kezelő irányában végzett vágás súlyos sérülést okozhat.
- Ügyeljen arra, hogy keze és lába ne érjen a késekhez, amikor a motor jár.

Személyi védőfelszerelés

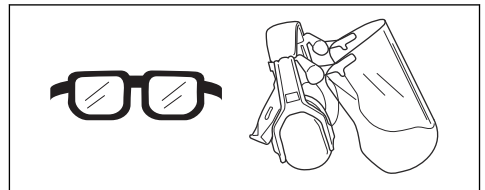


FIGYELMEZTETÉS: A termék használata előtt olvassa el az alábbi figyelmeztetéseket.

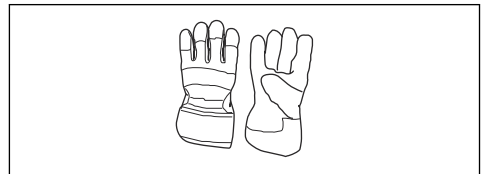
- A termék használata során viseljen jóváhagyott személyi védőfelszerelést. A személyi védőfelszerelés nem küszöböli ki teljes mértékben a sérülés kockázatát, de csökkenti a sérülés mértékét, ha bekövetkezik a baleset. A megfelelő felszerelés kiválasztásában kérje a kereskedő segítségét.
- Használjon védősisakot azokon a helyeken, ahol fennáll a veszélye annak, hogy tárgyak esnek a földre.



- Használjon jóváhagyott védőszemüveget. Ha arcvédőt használ, jóváhagyott védőszemüveget is kell viselnie. Jóváhagyott védőszemüvegek azok, amelyek megfelelnek az ANSI Z87.1 (USA) illetve EN 166 (EU-országok) szabványoknak.



- Ha szükséges, viseljen kesztyűt – például a termék ellenőrzésekor vagy tisztításakor.



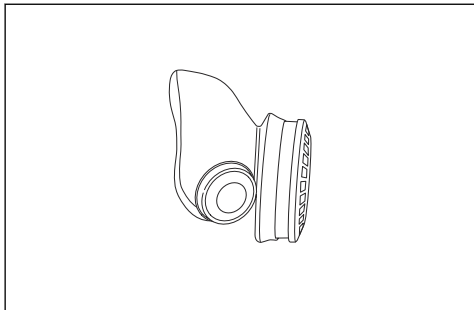
- Viseljen védőcsizmát vagy csúszásgátló talppal ellátott lábbelit.



- Viseljen sűrű szövésű anyagból készült ruházatot. Vastag, hosszú nadrágot és hosszú ujjú felsőrészt viseljen. Ne viseljen bő ruházatot, mert az beakadhat a gallyakba és a bokrok ágaiba. Ne viseljen

ékszereket, rövidnadrágot vagy nyitott cipőt, illetve ne legyen mezítáb. Igazítsa haját vállmagasság fölé.

- Por veszélye esetén viseljen légzésvédőt.



- Tartson elsősegélykészletet a közelben.



Biztonsági eszközök a tartozékon



FIGYELMEZTETÉS: A tartozék használata előtt olvassa el az alábbi figyelmeztetéseket.

Ez a fejezet a tartozék biztonsági funkciót és azok rendeltetését tartalmazza, valamint azt, hogy miként kell a megfelelő üzemelés biztosítása érdekében ellenőrzéseket és karbantartást végezni. A tartozék részegységeinek helyével kapcsolatban lásd a(z) *A vágófelszerelés áttekintése 128. oldal* című fejezetben szereplő utasításokat.

A tartozék élettartama lecsökkenhet, a balesetveszély pedig megnövekedhet, ha a tartozék karbantartását nem megfelelően hajtják végre, illetve ha a szervizt és/vagy a javításokat nem szakszerűen végzik. Ha további információra van szüksége, vegye fel a kapcsolatot a legközelebbi szervizszolgáltatóval.



FIGYELMEZTETÉS: Soha ne használja a tartozékot hibás biztonsági felszerelésekkel. A tartozék biztonsági felszerelésének ellenőrzését és karbantartását a jelen fejezetben leírtak szerint kell elvégezni. Ha az Ön tartozéka nem felel meg az alábbi vizsgálatok valamelyikén, forduljon szervizműhelyéhez.



FIGYELMEZTETÉS: A termék szervizeléséhez és javításához speciális szakmai képzésre van szükség. Ez különösen érvényes a termék biztonsági felszerelésére. Ha az Ön terméke nem felel

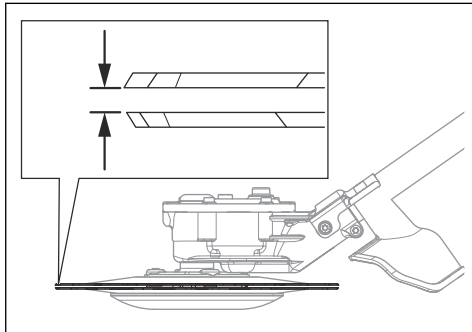
meg az alábbi vizsgálatok valamelyikénél, akkor forduljon szervizműhelyéhez. Bármely termékünk megvásárlásakor garantáljuk a szakképzett javítást és szervizelést. Ha a terméket nem szervizműhellyel rendelkező szakkereskedőtől vásárolta, akkor kérje el tőle a legközelebbi szervizműhely címét.

A vágófelszerelés és a vágófelszerelés védőburkolatának ellenőrzése

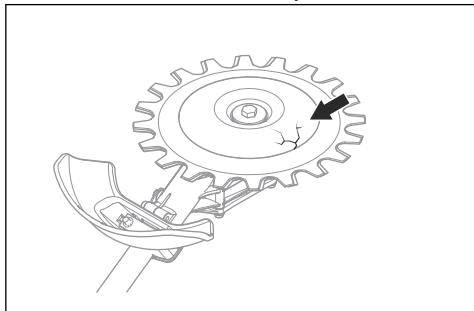


FIGYELMEZTETÉS: Vágófelszerelést ahhoz tartozó jóváhagyott védőburkolat nélkül semmilyen körülmények között ne használjon. A nem megfelelő vagy hibás védőburkolat használata sérülést okozhat.

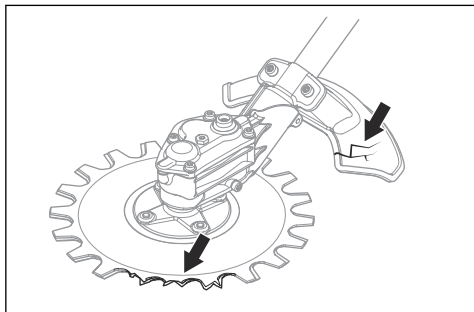
1. Állítsa le a motort, és győződjön meg arról, hogy a vágófelszerelés megállt.
2. Amennyiben benzinés termékkel dolgozik, távolítsa el gyertyapipát a gyújtógyertyáról. Amennyiben a termék akkumulátoros, távolítsa el az akkumulátort.
3. Vegyen fel védőkesztyűt.
4. Ellenőrizze, hogy a kések nem sérültek-e. Ha a kések sérültek, cserélje ki őket. Lásd: *A kések cseréje 136. oldal*.
5. Ellenőrizze a késeket. Ellenőrizze, hogy nincs-e távolság a kések között. Ha van távolság a kések között, a kések beállítása szükséges. Lásd: *A kések közötti távolság beállítása 137. oldal*.



6. Ellenőrizze, hogy a támasztócsésze sértetlen-e. Ha a támasztócsésze sérült, cserélje ki.



7. Győződjön meg arról, hogy a vágófelszerelés csavarjai meg vannak-e húzva.
8. Ellenőrizze, hogy a kések és a vágófelszerelés védőburkolata sértetlen-e. Cserélje a sérült alkatrészeket.



Biztonsági utasítások a karbantartáshoz



FIGYELMEZTETÉS: A vágófelszerelés a gázadagoló/kapcsológomb elengedése után



FIGYELMEZTETÉS: A vágófelszerelés védőburkolata és a vágófelszerelés közé fű illetve ágak szorulhatnak. A vágófelszerelés tisztítása előtt mindig állítsa le a motort.

- A vágás közben teljes gázt/fordulatszámot alkalmazzon, majd az egyes vágások után hagyja alapjáraton járni a terméket.

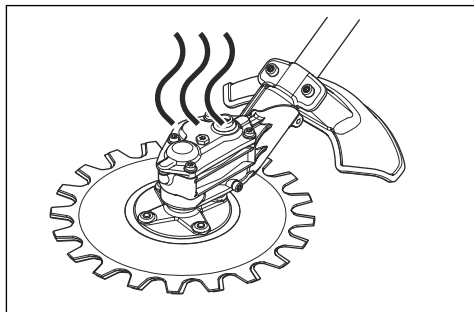


VIGYÁZAT: A motor károsodhat, ha túl hosszú ideig járatták terhelés nélkül maximális fordulatszámon.

is tovább foroghat. Amennyiben benzines termékkel dolgozik, távolítsa el gyertyapipát a gyújtógyertyáról. Amennyiben a termék akkumulátoros, távolítsa el az akkumulátort. Karbantartás előtt győződjön meg arról, hogy a vágófelszerelés teljesen leállt-e.



FIGYELMEZTETÉS: A sebváltóház a termék használata közben felforrósodik. A forró felületek égési sérülést okozhatnak – ne érjen hozzá a sebváltóházhoz.



- A vágófelszerelés javításához mindig viseljen erős védőkesztyűt. A vágószerkezet nagyon éles, könnyen megvághatja magát.
- A javításhoz csak eredeti pótalkatrészeket használjon.

A KEZELÉSI ÚTMUTATÓT ŐRIZZE MEG

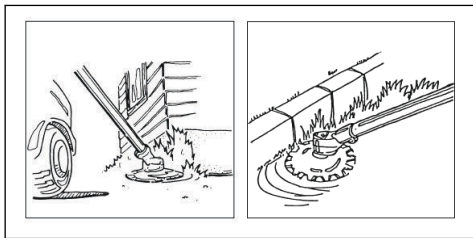
Üzemeltetés

A munkavégzés technikája

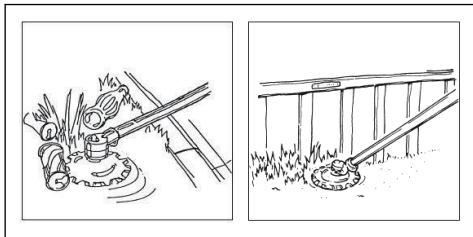
A vágófelszerelés ajánlott használata

A vágófelszerelés kései kis szögben mozognak, és bármelyik irányban képesek vágást végezni. A vágófelszerelést a talaj mentén, abban a magasságban mozgassa, ahol a támasztócsésze a talajhoz ér. A vágófelszerelés a következő területeken alkalmazható:

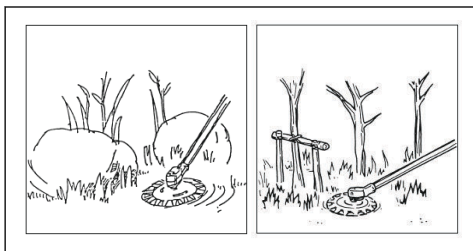
- Parkok és utak szélei.



- Utak mentén és kerítések közelében.



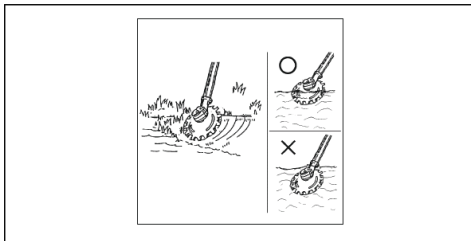
- Kövek és fák körül.



- Víz közelében.



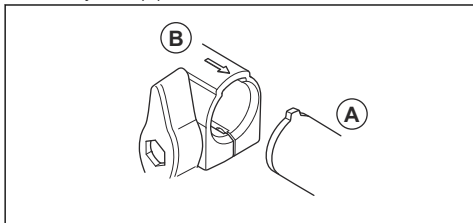
VIGYÁZAT: Ne merítse vízbe a sebváltóházat.



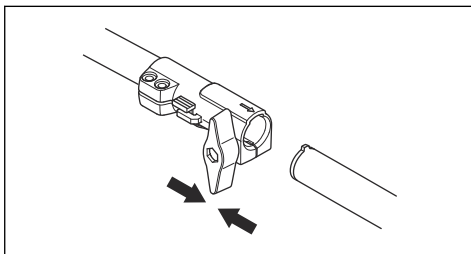
Összeszerelés

A két részből álló nyél összeszerelése ()

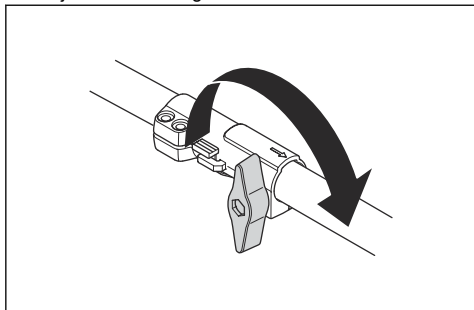
1. A gombot elforgatva lazítsa meg a csatlakozót.
2. A toldalékon lévő fület (A) igazítsa a csatlakozón lévő nyílhoz (B).



3. Óvatosan tolja a nyelet a csatlakozóba, amíg kattanás nem hallható.

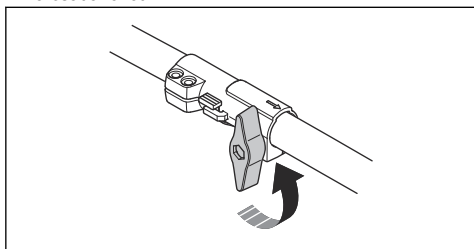


4. Teljesen húzza meg a kilincset.

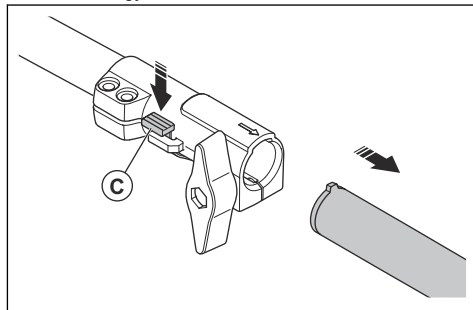


A két részből álló nyél szétszerelése ()

1. A gombot legalább háromszor elforgatva lazítsa meg a csatlakozót.



2. Nyomja meg és tartsa lenyomva a gombot (C).
3. Tartsa erősen a nyél motorhoz csatlakozó végét.
4. Húzza ki egyenesen a toldalékot a csatlakozóból.



Karbantartás

Bevezető

Alább néhány általános karbantartási utasítást talál. További információkért forduljon az illetékes szakszervizhez.

Karbantartási terv

Alább egy lista látható a vágófelszerelés karbantartásával kapcsolatos lépésekről.

Megjegyzés: A kezelő kizárólag a jelen használati utasításban szereplő karbantartási és szervizmunkákat végezheti el a vágófelszerelésen. Minden egyéb karbantartási és szervizelési munkálatot hivatalos szakszerviznek kell elvégeznie.

Karbantartás	Naponta	Hetente	Havonta
Tisztítsa le a termék külső alkatrészeit.	X		
Ellenőrizze, hogy a kések nem sérültek-e. Ha a kések sérültek, cserélje ki őket.	X		
Ellenőrizze, hogy a vágófelszerelés védőburkolata sértetlen-e. Ha a vágófelszerelés védőburkolata sérült, cserélje ki.	X		
Ellenőrizze, hogy a támasztócsésze sértetlen-e. Ha a támasztócsésze sérült, cserélje ki.	X		
Ellenőrizze, hogy a csavarok és anyák szorosan rögzülnek-e.	X		
Körülbelül 100 üzemóránként töltsse fel a sebváltóházat zsírral.		X	

A kések tisztítása és kenése

1. A termék használata előtt és után tisztítsa meg a késeket a nemkívánatos anyagoktól.
2. Hosszú időtartamú tárolás előtt kenje be a késeket kenőanyaggal.

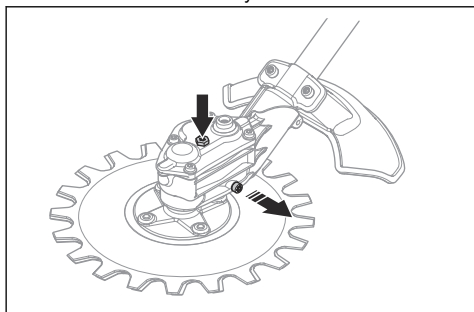
Megjegyzés: Az ajánlott tisztítószerrel és kenőanyagokkal kapcsolatos további információkért forduljon az illetékes szakszervizhez.

A sebvártóház kenése



VIGYÁZAT: Ne tölts fel teljesen a sebvártóházat. Ha teljesen feltölti a sebvártóházat, a zsír károsíthatja a tömítéseket, és szivárgást okozhat.

1. Távolítsa el a zsírzócsavarokat.
2. Tölts be a zsírt a felső nyíláson.



3. Helyezze fel a zsírzócsavarokat.

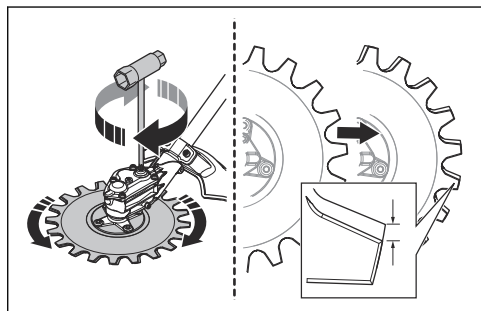
A kések élezése



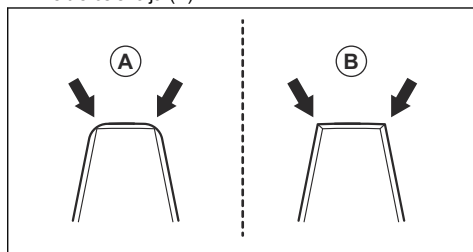
FIGYELMEZTETÉS: A késekkel való munkához használjon védőkesztyűt.

1. Helyezze a kombinált kulcsot a sebvártóházon lévő csatlakozóba.

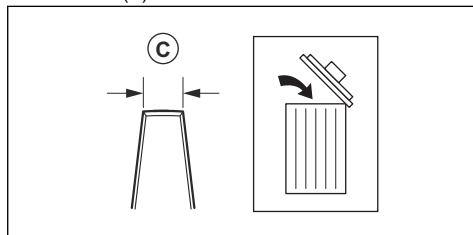
2. Fordítsa el addig a kombinált kulcsot, amíg az alsó és felső kés között 3 mm-es különbség nem keletkezik.



3. Élezze meg az elérhető éleket (B) egy csiszoló segítségével. Ügyeljen arra, hogy az éleket ne iveltre csiszolja (A).



4. Fordítsa a kombinált kulcsot a másik irányba az ellenkező oldalon lévő élek eléréséhez.
5. Élezze meg az elérhető éleket egy csiszoló segítségével.
6. Ha a fogak szélessége 8 mm alá csökken, cserélje ki a késeket (C).



A kések cseréje



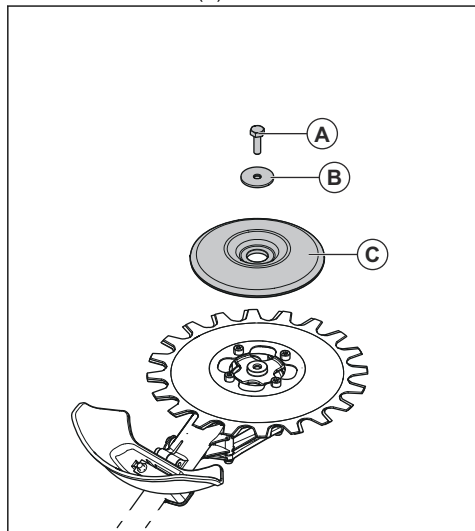
FIGYELMEZTETÉS: A késekkel való munkához használjon védőkesztyűt.



FIGYELMEZTETÉS: A termék kiegyensúlyozatlanságának és rezgésének elkerülése érdekében a kések cseréjekor tisztítsa meg a vágófelszerelést.

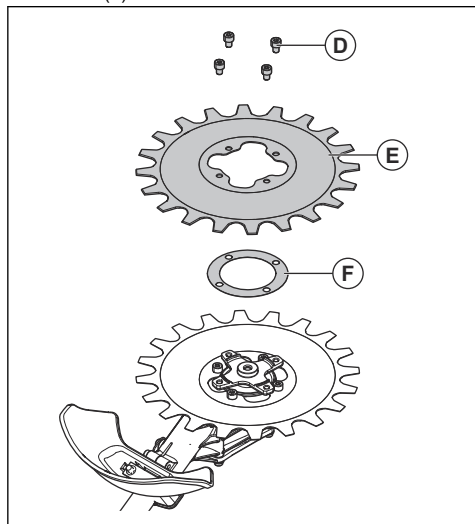
Megjegyzés: A kések felcserélhetők.

1. Távolítsa el a középső csavart (A), az alátétet (B) és a támasztócsészét (C).

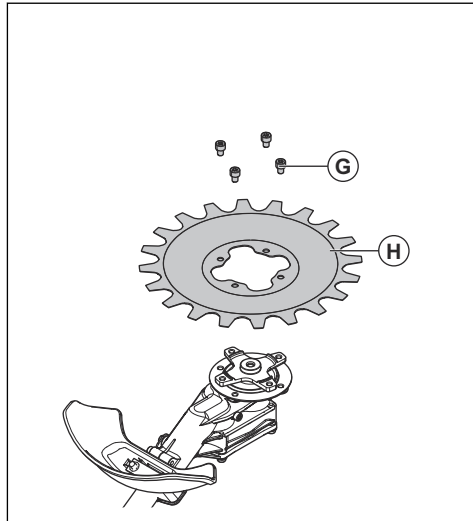


Megjegyzés: A középső csavar balmenetes.

2. Távolítsa el a 4 csavart (D), az alsó kést (E) és az alátétet (F).



3. Távolítsa el a 4 csavart (G) és a felső kést (H).



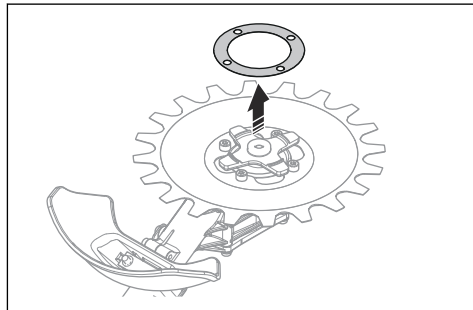
4. A késeket a lépések fordított sorrendben történő elvégzésével szerelheti fel. A kések felszerelésekor ügyeljen arra, hogy egyformán húzza meg a csavarokat.

A kések közötti távolság beállítása



FIGYELMEZTETÉS: A késekkel való munkához használjon védőkesztyűt.

1. Távolítsa el az alsó kést, lásd: *A kések cseréje 136. oldalon.*
2. Távolítsa el az alátétet.



Megjegyzés: Tegye félre az alátétet a kések cseréjéig.

3. Szerelje fel az alsó kést. A kések felszerelésekor ügyeljen arra, hogy egyformán húzza meg a csavarokat.

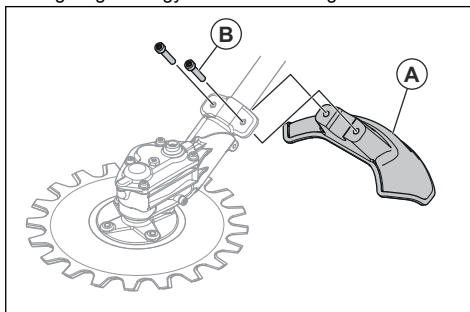
A vágófelszerelés védőburkolatának cseréje



FIGYELMEZTETÉS: A kések karbantartásakor használjon védőkesztyűt.

- Távolítsa el a 2 csavart (B) és a vágófelszerelés védőburkolatát (A).

- Szerelje fel az új védőburkolatot (A) a 2 csavar (B) segítségével. Egyformán húzza meg a csavarokat.



Szállítás, tárolás és ártalmatlanítás

Szállítás és tárolás

- Ha nem használja a terméket, illetve szállítás vagy tárolás esetén ügyeljen arra, hogy a szállítási biztosítószerkezet megfelelően legyen rögzítve a vágófelszereléshez.
- Tartsa a vágófelszerelést zárható helyen, ahol gyermek vagy jogosulatlan személy nem férhet hozzá.

- A sérülések és balesetek elkerülése érdekében szállításkor ügyeljen a vágófelszerelés biztonságos rögzítésére.
- Hosszú idejű tárolás esetén tisztítsa meg és végeztesse teljes körű szervizelést a vágófelszerelésen.

Műszaki adatok

Műszaki adatok

RA850	
Tömeg	
Tömeg, kg	2,5
Zajkibocsátás³¹	
Hangteljesítményszint, mért dB (A) érték	102
Hangteljesítményszint, garantált, L _{WA} , dB(A)	105
Zajszintek³²	
A kezelő hallószervére gyakorolt, EN ISO 11806-1 és EN ISO 22868 szerint mért hangnyomásszint, dB(A)	
Jóváhagyott tartozékokkal ellátva (eredeti)	90

³¹ A környezetben a 2000/14/EK sz. EK irányelvvel összhangban hangteljesítményként mért zajkibocsátás (L_{WA}). A gép jelentésben szereplő hangteljesítményszintjét a legmagasabb szintet produkáló eredeti vágófelszereléssel mérték. A garantált és a mért hangteljesítmény közötti különbségnek az az oka, hogy a garantált hangteljesítmény tartalmazza a mérési eredményben lévő ingadozást és az azonos modellű gépek közti eltéréseket is a 2000/14/EK jelű irányelv értelmében.

³² A gép ekvivalens hangnyomásszintjére vonatkozó jelentési adatok az 1 dB (A) tipikus statisztikus ingadozásával (szórásával) rendelkeznek.

RA850	
Rezgésszintek³³	
Az EN ISO 11806-1 és az ISO 22867 szerint mért ekvivalens rezgésszintek ($a_{h\nu,eq}$) a fogantyúkon, m/s^2	
Jóváhagyott tartozékokkal ellátva (eredeti), bal/jobb	3,9/4,8
Kések	
Átmérő, mm	230
Kések sebessége, vágás/perc	4600

³³ Az ekvivalens rezgésszintre vonatkozó jelentési adatok az $1 m/s^2$ tipikus statisztikus ingadozásával (szórásával) rendelkeznek.

EK megfeleléségi nyilatkozat

EK megfeleléségi nyilatkozat

A **Husqvarna AB**, SE-561 82 Huskvarna, Svédország, tel: +46-36-146500, kijelenti, hogy azok a reciprocator attachment **Husqvarna RA850** termékek, amelyek a 2019-es évtől kezdve kaptak sorozatszámot (az év jól látható a típustáblán, a sorozatszám előtt), megfelelnek az EGK TANÁCSA következő IRÁNYELVEINEK:

- a 2006. május 17-i, „gépekre vonatkozó” irányelv **2006/42/EK**
- a 2011. június 8-i, „az egyes veszélyes anyagok elektromos és elektronikus berendezésekben való alkalmazásának korlátozására” vonatkozó irányelv **2011/65/EU**.
- a 2000. május 8-i, „környezeti zajkibocsátással kapcsolatos” irányelv **2000/14/EK**. Megfeleléségi felmérés az V. melléklet szerint. A zajszennyezésre vonatkozó további információkat a Műszaki adatok fejezetben találja.

A következő szabványok kerültek alkalmazásra:

EN ISO 11806-1:2011, EN 50581:2012

A RISE SMP Svensk Maskinprovning AB, Box 7035, SE-750 07 Uppsala, Sweden önkéntes típusellenőrzést végzett a Husqvarna AB számára. A bizonyítványok számai: **SEC/19/2528**

Huskvarna, 2019-03-11



Per Gustafsson, Fejlesztési Igazgató (A Husqvarna AB technikai dokumentációért felelős hivatalos képviselője)

Sommario

Introduzione.....	141	Manutenzione.....	148
Sicurezza.....	143	Trasporto, stoccaggio e smaltimento.....	151
Funzionamento.....	146	Dati tecnici.....	151
Montaggio.....	147	Dichiarazione CE di conformità.....	153

Introduzione

Uso previsto



AVVERTENZA: Il gruppo di taglio deve essere utilizzato solo con prodotti compatibili. Fare riferimento al Manuale dell'operatore del prodotto.

Il gruppo di taglio è impiegato per tagliare erba e rami.

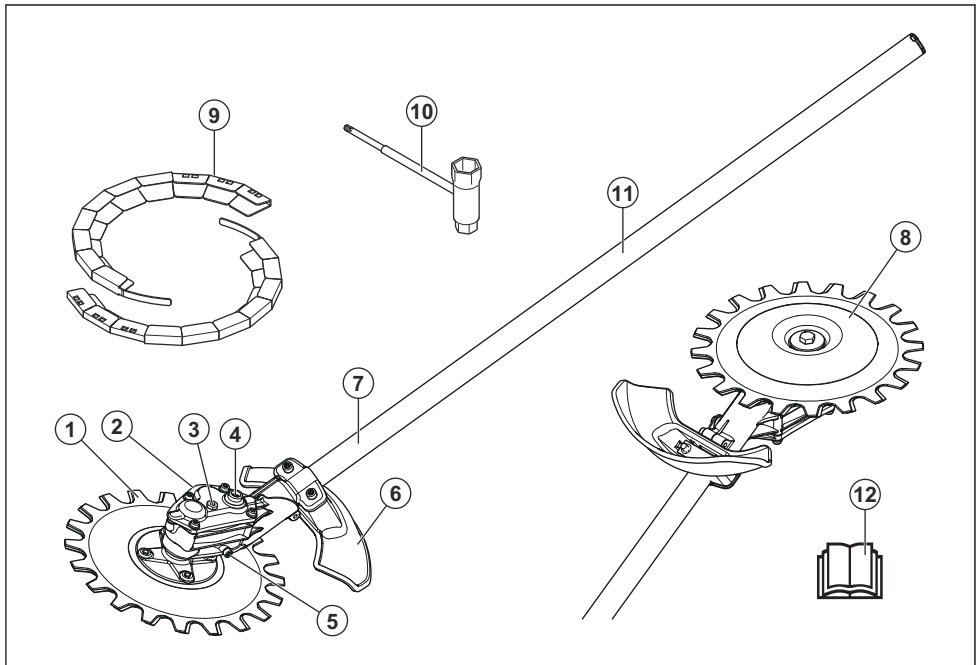
Nota: I regolamenti nazionali possono imporre restrizioni sull'uso del prodotto.

Descrizione del prodotto

Procediamo costantemente allo sviluppo dei nostri prodotti e ci riserviamo quindi il diritto di apportare, senza alcun preavviso, modifiche riguardanti fra l'altro la forma e l'aspetto esteriore.

Nota: Questo manuale tratta unità a benzina e a batteria.

Panoramica del gruppo di taglio



1. Lama
2. Scatola ingranaggi
3. Tappo di ingrassaggio superiore
4. Presa per muovere le lame manualmente
5. Tappo di ingrassaggio inferiore
6. Protezione del gruppo di taglio

7. Albero
8. Coppa di sostegno
9. Protezione di trasporto
10. Chiave universale
11. Decalcomania di informazioni e avvertenza
12. Manuale operatore



L'operatore deve controllare che non vi siano persone o animali in un raggio di 15 metri. Anche più conducenti che lavorino contemporaneamente nello stesso luogo devono mantenere tra loro una distanza di sicurezza non inferiore a 15 metri. L'accessorio può urtare violentemente oggetti che possono rimbalzare, causando seri danni agli occhi se non vengono usati i dispositivi di sicurezza consigliati.



L'uso negligente o improprio di questo accessorio può provocare lesioni gravi o mortali all'operatore o a terzi.



Prima di usare l'accessorio, leggere attentamente il manuale dell'operatore e accertarsi di averne compreso il contenuto.



Utilizzare un elmetto protettivo in luoghi in cui gli oggetti potrebbero cadere. Usare cuffie protettive omologate. Utilizzare protezioni per gli occhi omologate.



Utilizzare sempre guanti protettivi omologati.



Usare stivali robusti e antisdrucolo.



Tagli massimi al minuto



Le frecce indicano i limiti consentiti per la posizione dell'impugnatura.



Il prodotto può causare l'espulsione di oggetti in grado di provocare lesioni.



Tenersi a una distanza minima di 15 m / 50 ft da persone e animali quando il prodotto è in funzione.



Emissioni di rumore nell'ambiente in base alla direttiva della Comunità Europea. Le emissioni dell'accessorio sono specificate nel capitolo *Dati tecnici alla pagina 151* e sull'etichetta.



Il presente accessorio è conforme alle vigenti direttive CE.



Il prodotto è conforme alle direttive EAC vigenti.



Il prodotto è conforme alle direttive vigenti in Ucraina



Il prodotto è conforme alle direttive sulla compatibilità elettromagnetica vigenti in Australia e Nuova Zelanda.

aaaassxxxx

L'etichetta riporta il numero di serie. **aaaa** è l'anno di produzione e **ss** è la settimana di produzione.

Nota: I restanti simboli/decalcomanie applicati sull'accessorio riguardano particolari requisiti necessari per ottenere la certificazione in alcuni mercati.

UE V



AVVERTENZA: La manomissione del motore rende nulla l'omologazione UE del prodotto.

ISTRUZIONI DI SICUREZZA IMPORTANTI

Definizioni di sicurezza

I simboli di avvertenza e cautela e le note vengono utilizzati per evidenziare le parti importanti del manuale dell'operatore.



AVVERTENZA: Utilizzato se è presente un rischio di lesioni o morte dell'operatore o di passanti nel caso in cui le istruzioni del manuale non vengano rispettate.



ATTENZIONE: Utilizzato se è presente un rischio di danni al prodotto e/p all'accessorio, ad altri materiali oppure alla zona adiacente nel caso in cui le istruzioni del manuale non vengano rispettate.

Nota: Utilizzato per fornire ulteriori informazioni necessarie in una determinata situazione.

Leggere tutte le istruzioni



AVVERTENZA: Quando si utilizzano attrezzature elettriche da giardino, occorre sempre seguire le istruzioni di sicurezza di base indicate di seguito per ridurre il rischio di incendio, scossa elettrica e lesioni personali:

Istruzioni di sicurezza generali



AVVERTENZA: Leggere le seguenti istruzioni di sicurezza prima di utilizzare l'accessorio.

- La sovraesposizione alle vibrazioni può causare lesioni neuro-vascolari a chi soffre di disturbi circolatori. In caso di sintomi riferibili a sovraesposizione alle vibrazioni, contattare il medico. Esempi di questi sintomi: intorpidimento, perdita di sensibilità, "formicolio", "torpore", dolore, mancanza di forza o riduzione delle forze normali, alterazioni di colore o aspetto della pelle. Tali sintomi si riscontrano soprattutto alle mani, ai polsi e alle dita. I sintomi possono accentuarsi a temperature rigide.
-
- ### Istruzioni di sicurezza per l'utilizzo
-
- **AVVERTENZA:** Leggere le seguenti avvertenze prima di utilizzare il prodotto.
 - Utilizzare il prodotto solo per le attività riportate nel presente manuale. Vedere *Usa previsto alla pagina 141*.
 - Non utilizzare il prodotto se non si è sicuri di poterlo azionare.
 - Non utilizzare questo prodotto quando si è stanchi, ammalati o sotto l'effetto di alcool, farmaci o medicinali. Ciò può ridurre la vista, la coordinazione o il controllo dei propri atti.
 - Non utilizzare il prodotto se non è possibile ricevere soccorso in caso di incidente.
 - Non utilizzare il prodotto se sono presenti segni di danneggiamento.
 - Accertarsi che il gruppo di taglio si arresti sempre con il motore al minimo.
 - Accertarsi che nessuno si avvicini a una distanza inferiore a 15 m quando si taglia. Accertarsi che solo persone autorizzate siano presenti nell'area di lavoro.
 - Non permettere che i bambini si avvicinino al prodotto o che lo usino.
 - Mantenere l'area di lavoro pulita e luminosa. Non utilizzare mai il prodotto in condizioni meteorologiche sfavorevoli, ad esempio nebbia, pioggia torrenziale, vento forte, freddo intenso, rischio di fulmini.
 - Se un oggetto resta incastrato nelle lame durante il funzionamento, spegnere il motore e attendere che le lame si arrestino. Rimuovere il cappuccio dalla candela o la batteria. Introdurre la chiave nella scatola ingranaggi per muovere le lame, fare riferimento a *Affilatura delle lame alla pagina 149*.
 - Se le lame si danneggiano durante il funzionamento, le lame superiore e inferiore potrebbero venire a contatto. Non toccare le lame, in quanto possano muoversi improvvisamente e causare lesioni.
 - Accertarsi di trovarsi in una posizione sicura e stabile durante il funzionamento.

- Il prodotto può causare l'espulsione di oggetti ad alta velocità. Accertarsi che tutte le persone presenti nell'area di lavoro utilizzino sempre dispositivi di protezione individuale omologati. Rimuovere eventuali oggetti allentati dall'area di lavoro.
- Monitorare l'area di lavoro quando si indossano cuffie protettive. Togliere sempre le cuffie protettive all'arresto del motore.
- Se il prodotto presenta vibrazioni insolite, arrestare il motore. Se si dispone di un prodotto a benzina, rimuovere il cappuccio dalla candela. Se si dispone di un prodotto azionato a batteria, rimuovere la batteria. Controllare immediatamente la causa del problema. Le vibrazioni generalmente sono sintomo di danni.
- Non allontanarsi dal prodotto con il motore in moto.
- Tenere il prodotto con entrambe le mani. Tenere il prodotto sul lato destro del proprio corpo. Utilizzare il prodotto con il gruppo di taglio al di sotto della vita.



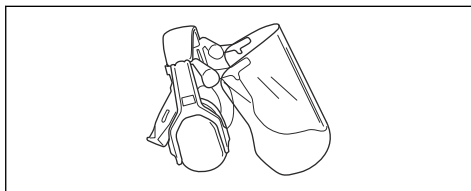
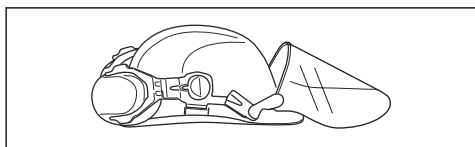
- L'attrezzo di taglio deve lavorare lontano dall'operatore. Tagliare nella direzione dell'operatore può causare gravi lesioni.
- Accertarsi che mani e piedi non tocchino le lame con il motore acceso.

Abbigliamento protettivo personale

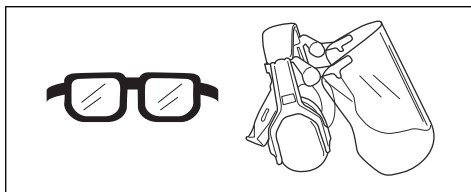


AVVERTENZA: Leggere le seguenti avvertenze prima di utilizzare il prodotto.

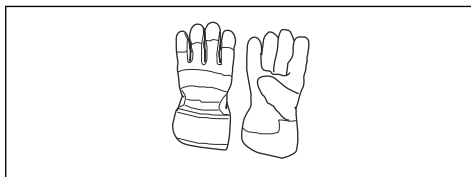
- Usare sempre abbigliamento protettivo personale omologato quando si utilizza il prodotto. L'uso di abbigliamento protettivo personale non elimina il rischio di lesioni, ma ne riduce la gravità in caso di incidente. Farsi consigliare dal rivenditore per la scelta dell'attrezzatura adatta.
- Elmetto protettivo laddove sussiste il rischio di caduta di oggetti.



- Utilizzare protezioni per gli occhi omologate. Con l'uso della visiera è necessario anche l'uso di occhiali protettivi omologati. Con il termine occhiali protettivi omologati si intendono occhiali che siano conformi alle norme ANSI Z87.1 per gli USA o EN 166 per i paesi EU.



- Indossare guanti ove necessario, ad esempio per ispezionare o pulire il prodotto.



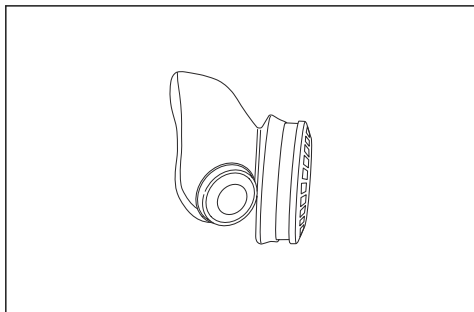
- Utilizzare stivali protettivi, o scarpe, con soles antiscivolo.



- Indossare indumenti di tessuto resistente. Indossare sempre pantaloni lunghi e maniche lunghe.

Non indossare indumenti larghi che potrebbero impigliarsi nei ramoscelli e nei rami. Non indossare gioielli, pantaloni corti o scarpe aperte e non lavorare a piedi nudi. Raccogliere i capelli in modo sicuro sopra le spalle.

- Utilizzare mascherine quando esiste il rischio di inalare la polvere.



- Tenere a portata di mano il kit di primo soccorso.



Dispositivi di sicurezza sull'accessorio



AVVERTENZA: Leggere le seguenti avvertenze prima di utilizzare l'accessorio.

In questa sezione vengono presentati i dispositivi di sicurezza dell'accessorio, la loro funzione, il controllo e la manutenzione necessari per assicurarne un funzionamento ottimale. Vedere le istruzioni alla sezione *Panoramica del gruppo di taglio alla pagina 141* per localizzare questi dispositivi sull'accessorio.

La durata dell'accessorio può ridursi e il rischio di incidenti aumentare se la manutenzione non viene eseguita correttamente e se l'assistenza e/o le riparazioni non vengono effettuate da personale qualificato. Per ulteriori informazioni, contattare il rivenditore con assistenza più vicino.



AVVERTENZA: Non utilizzare mai un accessorio con dispositivi di sicurezza difettosi. I dispositivi di sicurezza di sicurezza dell'accessorio vanno controllati e sottoposti a manutenzione secondo quanto descritto in questo capitolo. Se l'accessorio non supera tutti i controlli, contattare un'officina per le necessarie riparazioni.



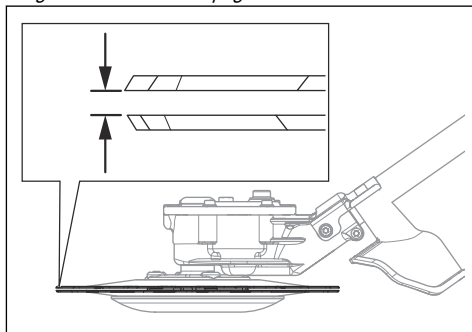
AVVERTENZA: Tutte le riparazioni e l'assistenza del prodotto vanno eseguite da personale specializzato. Quanto detto vale in particolare per i dispositivi di sicurezza del prodotto. Se il prodotto non supera tutti i controlli sottoelencati, contattare l'officina autorizzata. L'acquisto di uno dei nostri prodotti garantisce l'assistenza di personale qualificato. Se non avete acquistato il prodotto presso un rivenditore con centro di assistenza, informatevi sull'ubicazione della più vicina officina autorizzata.

Controllo del gruppo di taglio e della relativa protezione

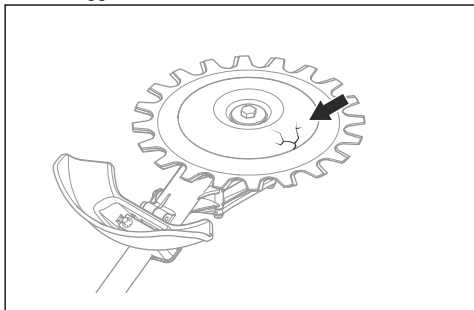


AVVERTENZA: Non utilizzare un gruppo di taglio senza una protezione del gruppo di taglio omologata. Il montaggio di una protezione del gruppo di taglio inadeguata o difettosa può provocare lesioni.

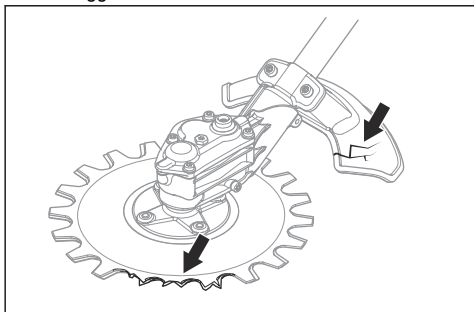
1. Arrestare il motore e assicurarsi che il gruppo di taglio si arresti.
2. Se si dispone di un prodotto a benzina, rimuovere il cappuccio dalla candela. Se si dispone di un prodotto azionato a batteria, rimuovere la batteria dal prodotto.
3. Indossare guanti protettivi.
4. Accertarsi che le lame non siano danneggiate. Sostituire le lame se sono danneggiate. Vedere *Sostituzione delle lame alla pagina 150*.
5. Esaminare le lame. Accertarsi che non sia presente alcun gioco tra le lame. Se è presente un gioco tra le lame, occorre regolarle. Vedere *Regolazione del gioco tra le lame alla pagina 150*.



6. Accertarsi che la coppa di sostegno non sia danneggiata. Sostituire la coppa di sostegno se danneggiata.



7. Accertarsi che le viti del gruppo di taglio siano serrate.
8. Verificare che le lame e la protezione del gruppo di taglio non siano danneggiate. Sostituire le parti danneggiate.



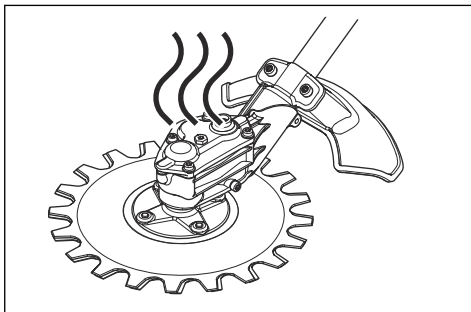
Istruzioni di sicurezza per la manutenzione



AVVERTENZA: Il gruppo di taglio può continuare a ruotare dopo il rilascio



AVVERTENZA: La scatola ingranaggi si riscalda durante il funzionamento del prodotto. Superfici calde possono provocare ustioni all'operatore; non toccare la scatola ingranaggi.



- Usare sempre guanti robusti durante la riparazione del gruppo di taglio. L'attrezzatura di taglio è molto affilata e può facilmente causare tagli.
- Utilizzare esclusivamente ricambi originali per le riparazioni.

CONSERVARE LE PRESENTI ISTRUZIONI

Funzionamento

Tecnica di lavoro



AVVERTENZA: I rami o l'erba possono restare impigliati tra la protezione del gruppo di taglio e il gruppo di taglio. Arrestare il motore prima di pulire il gruppo di taglio.

- Accelerare al massimo quando si taglia e portare il regime al minimo dopo ogni taglio.

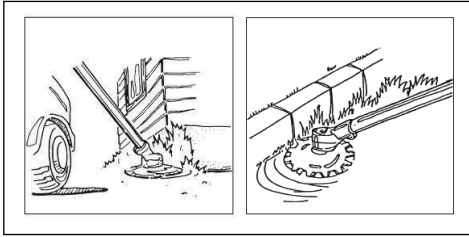


ATTENZIONE: Si possono verificare danni al motore se quest'ultimo gira al massimo troppo a lungo in assenza di carico.

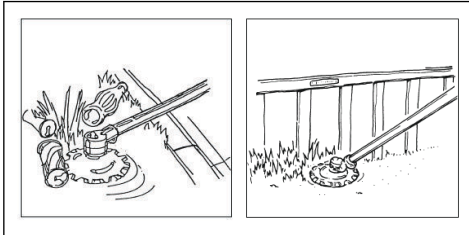
Uso consigliato del gruppo di taglio

Le lame del gruppo di taglio si muovono a un angolo ridotto e possono tagliare in tutte le direzioni. Spostare il gruppo di taglio lungo il terreno a un'altezza tale per cui la coppa di sostegno tocchi il suolo. Utilizzare il gruppo di taglio per tagliare:

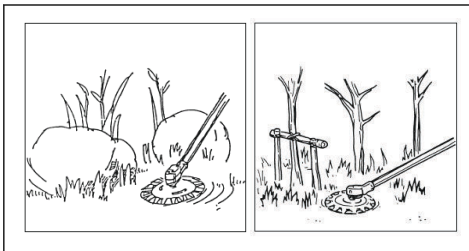
- Aree di parcheggi e bordi stradali.



- Bordi dei marciapiedi e zone intorno alle recinzioni.



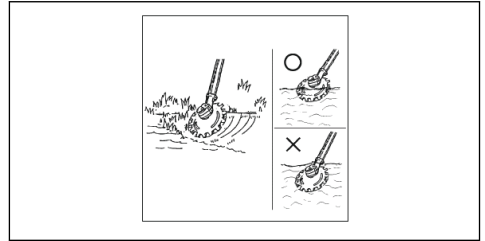
- Intorno a pietre e alberi.



- Vicino all'acqua.



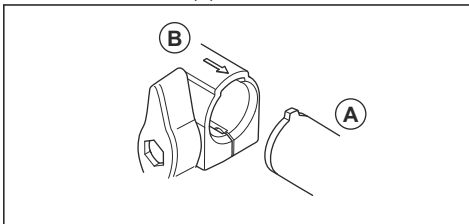
ATTENZIONE: Non immergere la scatola ingranaggi nell'acqua.



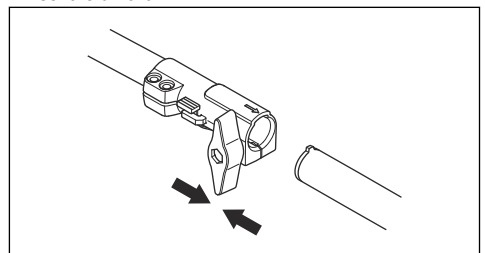
Montaggio

Assemblaggio dell'albero a due pezzi

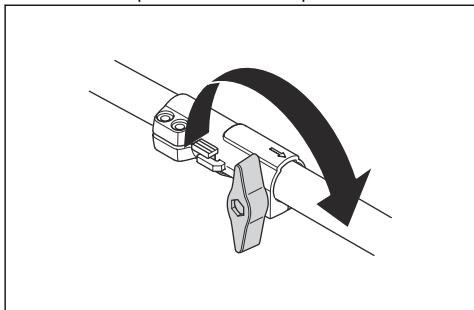
1. Ruotare la manopola per allentare l'attacco.
2. Allineare la linguetta del gruppo di taglio (A) con la freccia sull'attacco (B).



3. Spingere delicatamente l'albero nel raccordo fino a sentire un clic.

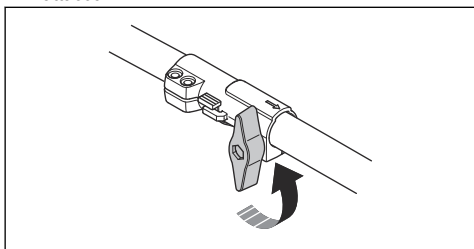


4. Serrare completamente la manopola.

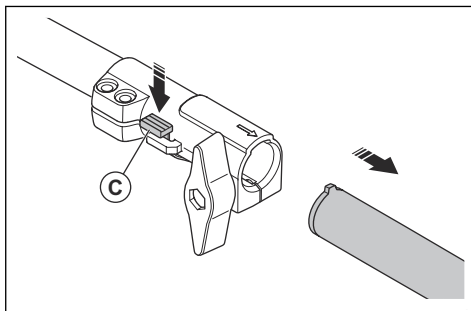


Smontaggio dell'albero a due pezzi

1. Ruotare la manopola 3 o più giri per allentare l'attacco.



2. Tenere premuto il pulsante (C).
3. Afferrare saldamente all'estremità dell'albero a cui è collegato il motore.
4. Estrarre l'accessorio direttamente dal raccordo.



Manutenzione

Introduzione

Seguono alcuni consigli di manutenzione. Se avete bisogno di ulteriori informazioni contattate il servizio di assistenza.

Programma di manutenzione

Di seguito è disponibile un elenco delle attività di manutenzione da eseguire sul gruppo di taglio.

Nota: L'operatore deve eseguire solo gli interventi di manutenzione e assistenza sul gruppo di taglio indicati in questo manuale dell'operatore. Altri interventi di manutenzione e assistenza devono essere eseguiti da un'officina di assistenza autorizzata.

Manutenzione	Giornaliera	Una volta a settimana	Una volta al mese
Pulire esternamente il prodotto.	X		
Accertarsi che le lame non siano danneggiate. Sostituire le lame se sono danneggiate.	X		
Accertarsi che la protezione del gruppo di taglio non sia danneggiata. Se danneggiata, sostituire la protezione del gruppo di taglio.	X		
Accertarsi che la coppa di sostegno non sia danneggiata. Sostituire la coppa di sostegno se danneggiata.	X		
Assicurarsi che i dadi e le viti siano serrati a fondo.	X		
Riempire di grasso la scatola ingranaggi, circa ogni 100 ore di lavoro.		X	

Pulizia e lubrificazione delle lame

1. Pulire le lame da sostanze indesiderate, prima e dopo aver utilizzato il prodotto.
2. Lubrificare le lame se si prevede di non utilizzare il prodotto per un periodo di tempo prolungato.

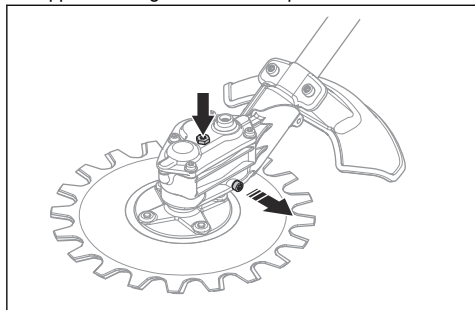
Nota: Rivolgersi al centro di assistenza per maggiori informazioni sui detergenti e i lubrificanti consigliati.

Lubrificazione della scatola ingranaggi



ATTENZIONE: Non riempire completamente la scatola ingranaggi. Se la scatola ingranaggi è piena, il grasso può danneggiare le guarnizioni e causare perdite.

1. Rimuovere i tappi di ingrassaggio.
2. Applicare del grasso al foro superiore.



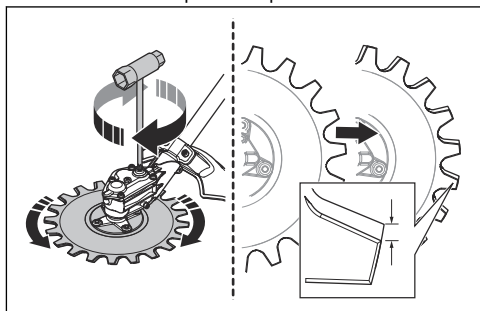
3. Montare i tappi di ingrassaggio.

Affilatura delle lame

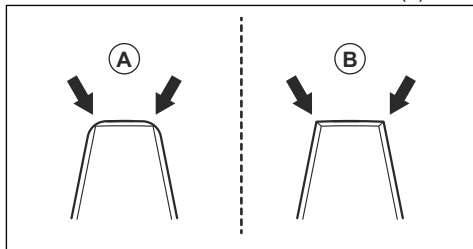


AVVERTENZA: Indossare guanti protettivi quando si sorreggono le lame.

1. Posizionare la chiave nella presa posta sulla scatola ingranaggi.
2. Girare la chiave fino a ottenere una differenza di 3 mm tra la lama superiore e quella inferiore.

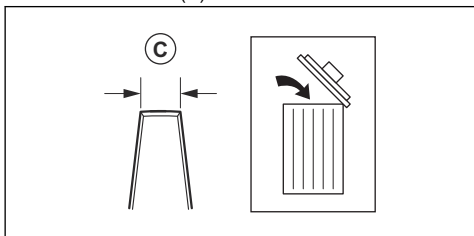


3. Affilare i bordi (B) accessibili con un'affilatrice. Accertarsi di non rendere i bordi arrotondati (A).



4. Girare la chiave in senso contrario per accedere ai bordi opposti.
5. Affilare i bordi accessibili con un'affilatrice.

6. Sostituire le lame se la larghezza del dente è inferiore a 8 mm. (C).



Sostituzione delle lame



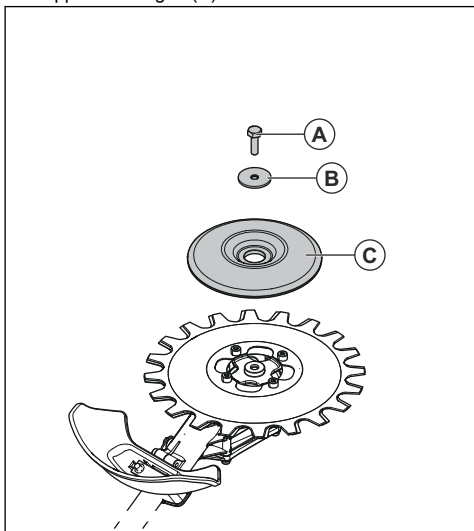
AVVERTENZA: Indossare guanti protettivi quando si sorreggono le lame.



AVVERTENZA: Per evitare sbilanciamenti e vibrazioni del prodotto, pulire il gruppo di taglio quando si sostituiscono le lame.

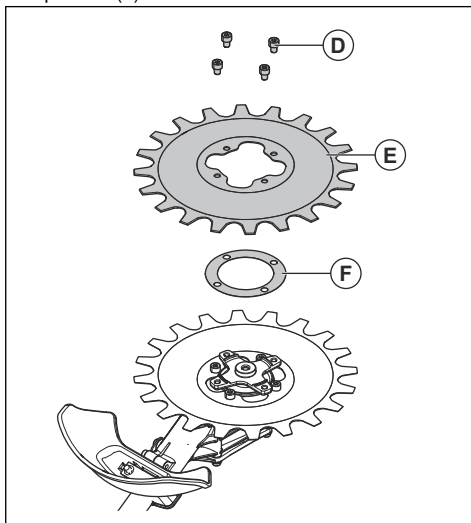
Nota: Le lame sono intercambiabili.

1. Rimuovere la vite centrale (A), la rondella (B) e la coppa di sostegno (C).

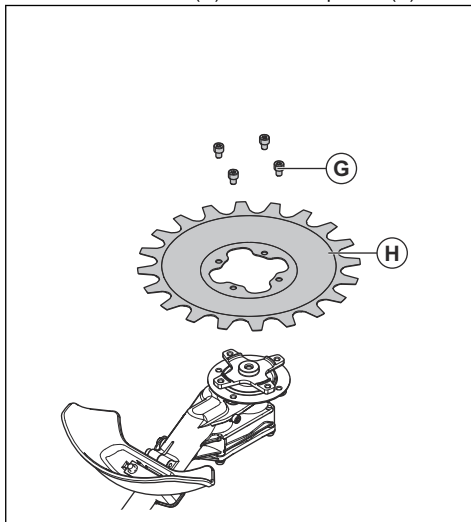


Nota: La vite centrale ha una filettatura sinistrorsa.

2. Rimuovere le 4 viti (D), la lama inferiore (E) e lo spessore (F).



3. Rimuovere le 4 viti (G) e la lama superiore (H).



4. Montare le lame nella sequenza opposta. Serrare le viti allo stesso modo quando si installano le lame.

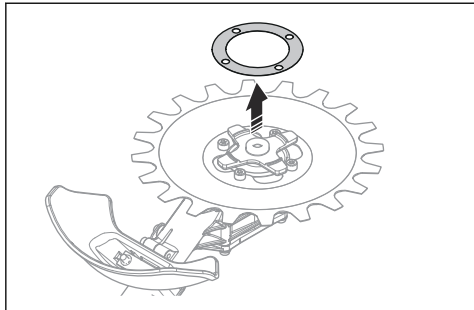
Regolazione del gioco tra le lame



AVVERTENZA: Indossare guanti protettivi quando si sorreggono le lame.

1. Rimuovere la lama inferiore, fare riferimento a *Sostituzione delle lame alla pagina 150*.

2. Rimuovere lo spessore.



Nota: Riporre lo spessore fino a quando non giunge il momento di sostituire le lame.

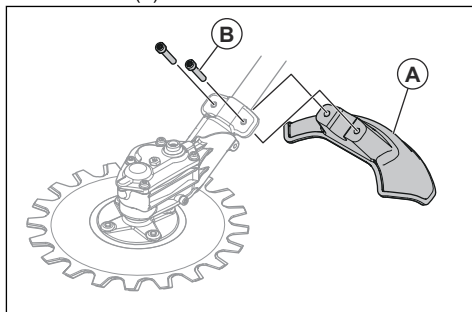
3. Montare la lama inferiore. Serrare le viti allo stesso modo quando si installano le lame.

Sostituzione della protezione del gruppo di taglio



AVVERTENZA: Indossare guanti protettivi quando si sorreggono le lame.

- Rimuovere le 2 viti (B) e la protezione del gruppo di taglio (A).
- Montare la nuova protezione del gruppo di taglio (A) con le 2 viti (B). Serrare le viti allo stesso modo.



Trasporto, stoccaggio e smaltimento

Trasporto e rimessaggio

- Accertarsi che la protezione di trasporto sia collegata correttamente al gruppo di taglio quando il prodotto non è in uso, viene trasportato o è in magazzino.
- Conservare il gruppo di taglio in un'area chiusa a chiave per impedire l'accesso a bambini o persone non autorizzate.
- Fissare il gruppo di taglio durante il trasporto per evitare danni e incidenti.
- Accertarsi che il gruppo di taglio sia pulito e che un servizio di assistenza completo venga eseguito prima del rimessaggio.

Dati tecnici

Dati tecnici

RA850	
Peso	
Peso, kg	2,5
Emissioni di rumore³⁴	
Livello acustico, misurato dB (A)	102

³⁴ Emissioni di rumore nell'ambiente misurate come potenza sonora (L_{WA}) in base alla direttiva CE 2000/14/CE. Il livello di potenza acustica riportato per il macchinario è stato misurato con il gruppo di taglio originale che emette il livello massimo. La differenza tra potenza acustica misurata e garantita è che la potenza acustica garantita comprende anche la dispersione nel risultato di misurazione e le variazioni tra le diverse macchine dello stesso modello come da Direttiva 2000/14/CE.

RA850	
Livello di potenza acustica, garantito L_{WA} , dB(A)	105
Livelli di rumorosità³⁵	
Livello di pressione acustica equivalente rispetto all'udito dell'operatore, misurato in base alle norme EN ISO 11806-1 e EN ISO 22868, dB(A)	
Accessorio approvato (originale) in dotazione	90
Livelli di vibrazioni³⁶	
Livelli di vibrazione equivalenti ($a_{hv,eq}$) all'impugnatura, misurati in base alle norme EN ISO 11806-1 e ISO 22867, in m/s^2	
Accessorio approvato (originale) in dotazione, sinistra/destra	3,9/4,8
Lame	
Diametro, mm	230
Velocità dei coltelli, tagli/min	4600

³⁵ I dati riportati per il livello di pressione acustica equivalente del macchinario hanno una dispersione statistica tipica (deviazione standard) di 1 dB (A).

³⁶ I dati riportati per il livello di vibrazioni equivalente hanno una dispersione statistica tipica (deviazione standard) di 1 m/s^2 .

Dichiarazione CE di conformità

Dichiarazione di conformità CE

Husqvarna AB, SE-561 82 Huskvarna, Svezia, tel.: +46-36-146500, dichiara con la presente che il modello di reciprocator attachment **Husqvarna RA850** a partire dai numeri di serie 2019 (l'anno viene evidenziato nella targhetta dati di funzionamento seguito dal numero di serie) è conforme alle disposizioni della DIRETTIVA DEL CONSIGLIO:

- del 17 maggio 2006 "sulle macchine" **2006/42/CE**.
- dell'8 giugno 2011 sulla "restrizione dell'uso di determinate sostanze pericolose nelle apparecchiature elettriche ed elettroniche" **2011/65/UE**.
- dell'8 maggio 2000 "sull'emissione di rumore nell'ambiente" **2000/14/EC**. Valutazione della conformità eseguita ai sensi dell'Allegato V. Per informazioni sulle emissioni di rumore, fare riferimento al capitolo Dati tecnici.

Sono state applicate le seguenti norme:

EN ISO 11806-1:2011, EN 50581:2012

RISE SMP Svensk Maskinprovning AB, Box 7035, SE-750 07 Uppsala, Sweden ha eseguito il controllo di tipo facoltativo per conto di Husqvarna AB. I certificati recano i numeri: **SEC/19/2528**

Huskvarna, 2019-03-11



Per Gustafsson, Responsabile sviluppo (rappresentante autorizzato per Husqvarna AB e responsabile della documentazione tecnica).

TURINYS

Įvadas.....	154	Techninės priežiūros darbas.....	161
Sauga.....	156	Transportavimas, saugojimas ir utilizavimas.....	163
Naudojimas.....	159	Techniniai duomenys.....	164
Surinkimas.....	160	EB atitikties deklaracija.....	165

Įvadas

Naudojimas



PERSPĖJIMAS: Pjovimo įtaisą galima naudoti tik su kitais suderinamais gaminiais. Žr. gaminio naudotojo instrukciją.

Pjovimo įtaisas naudojamas žolei ir šakelėms pjauti.

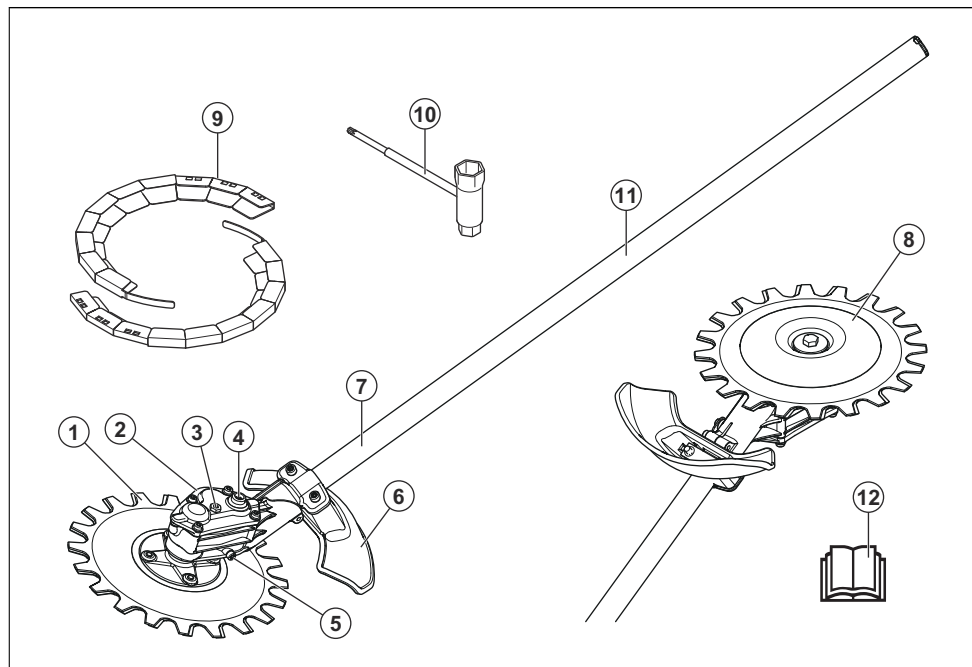
Pasižymėkite: Nacionaliniai įstatymai gali nustatyti apribojimus šio produkto naudojimui.

Gaminio aprašas

Mes nuolat siekiame tobulinti savo gaminius, pasilikdami sau teisę keisti jų formą ir išvaizdą be išankstinio pranešimo.

Pasižymėkite: Šiame vadove apžvelgiami tiek benzininiai, tiek akumuliatoriniai gaminys.

Pjovimo įtaiso apžvalga



1. Peilis
2. Pavaros korpusas
3. Viršutinio tepimo taško kaištis
4. Lizdas rankiniam peilių perkėlimui
5. Apatinio tepimo taško kaištis
6. Pjovimo įtaiso apsauga
7. Velenas
8. Atraminis gaubtas

9. Transportavimui skirtas apsauginis elementas
10. Kombinuotas veržliaraktis
11. Informacinė ir įspėjimo lentelė
12. Naudojimo instrukcija

Simboliai ant įtaiso ir maitinimo bloko



Aplaidžiai ar netinkamai naudojant šį priedą gali būti sunkiai ar net mirtinai sužeistas naudotojas ar kiti žmonės.



Prieš naudodami priedą atidžiai perskaitykite naudojimo instrukciją ir įsitikinkite, ar viską gerai supratote.



Vietose, kur ant jūsų gali užkristi daiktų, dėvėkite apsauginį šalną. Naudokite patvirtintas apsaugines ausines. Naudokite patvirtintas akių apsaugos priemones.



Visada mūvėkite patvirtintas apsaugines pirštines.



Avėkite tvirtus, neslystančius batus.



Maksimalus pjūvių skaičius per minutę



Rodyklės vaizduoja rankenos padėties ribas.



Iš įrenginio gali išskrieti pašaliniai objektai, kurie gali sužeisti.



Naudodami įrenginį laikykitės ne mažesniu kaip 15 m / 50 pėd. atstumu nuo žmonių ir gyvūnų.



Naudotojas turi stebėti, kad nei žmonės, nei gyvūnai neprisiartintų arčiau kaip 15 metrų atstumu. Jeigu toje pačioje vietoje dirba keli naudotojai, tarp jų reikia išlaikyti ne mažesnę kaip 15 m atstumą. Įtaisas gali stipriai išsviesti objektus, kurie gali atšokti atgal, ir sunkiai sužaloti akis, jeigu nenaudojate rekomenduojamos saugos įrangos.



Į aplinką skleidžiamas triukšmas atitinka Europos Bendrijos direktyvą. Įtaiso skleidžiamo triukšmo duomenys nurodyti skyriuje *Techniniai duomenys psl. 164* ir ant etiketės.



Šis įtaisas atitinka jam taikomas EB direktyvas.



Šis gaminytis atitinka taikomas EAC direktyvas.



Šis gaminytis atitinka taikomas Ukrainos direktyvas



Gaminytis atitinka taikomas Australijos ir Naujosios Zelandijos elektromagnetinio suderinamumo direktyvas.

yyyywwxxxx

Serijos numerio plokštelė su serijos numeriu. **yyyy** yra pagaminimo metai, **ww** – pagaminimo savaitė.

Pasižymėkite: Kiti ant priedo pateikti simboliai (lipdukai) skirti specialiems kai kurių rinkų sertifikavimo reikalavimams.

EU V



PERSPĖJIMAS: Variklio modifikavimas panaikina šio produkto ES tipo patvirtinimą.

SVARBIOS SAUGOS INSTRUKCIJOS

Saugos ženklų reikšmės

Įspėjimai, perspėjimai ir pastabos yra skirtos atkreipti dėmesį į ypač svarbias naudotojo instrukcijos dalis.



PERSPĖJIMAS: Naudojamas, kai naudotojui ar šalia esantiems asmenims kyla mirtino arba sunkaus sužeidimo pavojus arba, jei nesilaikoma naudotojo instrukcijoje pateiktų nurodymų.



PASTABA: Naudojamas, kai kyla pavojus sugadinti gaminį ir (arba) priedą, kitas medžiagas arba padaryti žalą aplinkai, jei nesilaikoma naudotojo instrukcijoje pateiktų nurodymų.

Pasižymėkite: Naudojama pateikti daugiau, nei būtina esamoje situacijoje, informacijos.

Perskaitykite visas instrukcijas



PERSPĖJIMAS: Naudojant elektrinius sodo prietaisus, visada reikia laikytis pagrindinių saugos priemonių, kad būtų sumažinta gaisro, elektros smūgio ir sužalojimų rizika, įskaitant šiuos nurodymus:

Bendrieji saugos nurodymai



PERSPĖJIMAS: Prieš naudodami priedą, perskaitykite toliau esančius saugos nurodymus.

- Prieš naudodami priedą atidžiai perskaitykite naudojimo instrukciją ir įsitinkinkite, ar viską gerai supratote.
- Šios instrukcijos papildo gaminio instrukcijas. Informacijos apie kitas procedūras rasite savo gaminio naudojimo instrukcijoje.
- Be gamintojo leidimo jokių atveju negalima keisti originalios priedo konstrukcijos. Nenaudokite priedo, kurį galėjo modifikuoti kiti asmenys ir naudokite tik originalius priedus. Nesuderinti konstrukcijos pakeitimai bei nepritaikytos detalės gali sukelti rimtus kūno sužalojimus ir net mirtį.
- Ilgalaikė vibracija gali pakenkti silpnesnės sveikatos žmonių kraujo apytakai ir nervų sistemai. Pajutę

somatinius negalavimo požymius, kreipkitės į gydytoją. Simptomai yra nutirpimas, nejautrumas, badymas, dilgčiojimas, skausmas, silpnumas, odos spalvos ir būklės pakitimas. Šie simptomai dažniausiai pasireiškia pirštuose, plaštakose ir rankų sąnariuose. Šie požymiai gali labiau paūmėti esant žemai temperatūrai.

Naudojimo saugos instrukcijos

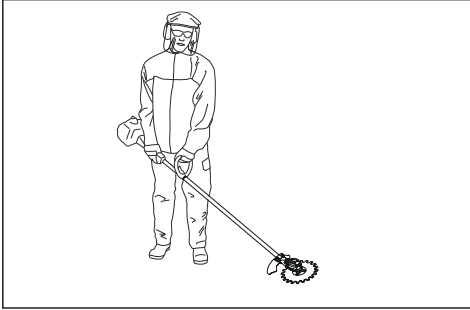


PERSPĖJIMAS: Prieš naudodami gaminį, perskaitykite toliau esančius įspėjimus.

- Produktą naudokite tik šiose instrukcijose nurodytiems darbams. žr. *Naudojimas psl. 154.*
- Nenaudokite gaminio, jei nesate įsitikinę, kad galite juo naudotis.
- Neekspluatuokite gaminio, jeigu esate pavargę, sergate, vartojote alkoholio, narkotikų ar vaistų. Tokiu atveju gali suprastėti regėjimas, nuovoka ar koordinacija.
- Nenaudokite gaminio, jei nelaimės atveju negalėtumėte sulaukti pagalbos.
- Nenaudokite gaminio, jei yra pažeidimo požymių.
- Įsitinkinkite, kad pjovimo įtaisas visada sustoja, kai variklis veikia tuščiąją eiga.
- Pasirūpinkite, kad niekas neprisiartintų per 15 m / 50 pėd., kai pjaunate. Įsitinkinkite, kad darbo vietoje yra tik įgalioti asmenys.
- Neleiskite vaikams naudoti ar artintis prie gaminio.
- Rūpinkitės darbo vietos švara ir apšvietimu. Gaminio niekada nenaudokite blizgu oru, pavyzdžiui, kai kyla rūkas, gali žaibuoti, stipriai lyja, pučiant stipriam vėjui, stipriai šąlant.
- Jei darbo metu į peilius kas nors įsivelia, sustabdykite variklį ir palaukite, kol peiliai sustos. Nuimkite uždegimo žvakės antgalį nuo uždegimo žvakės / atjunkite akumuliatorių. Įstatykite kombinuotąjį veržliaraktį į pavaros korpuso lizdą, kad pajudintumėte peilius, žr. *Peilių galandimas psl. 162.*
- Jei darbo metu peiliai pažeidžiami, viršutinis ir apatiniai peiliai gali susikabinti. Nelieskite peilių, jie gali staigiai pajudėti ir sužaloti.
- Darbo metu būtina stovėkite saugioje ir stabilioje padėtyje.
- Gaminys gali dideliu greičiu išsviesti pašalinis objektus. Pasirūpinkite, kad visi darbo vietoje esantys asmenys naudotų asmenines apsaugines priemones. Iš darbo vietos pašalinkite pašalinius objektus.
- Dirbdami su apsauginėmis ausinėmis stebėkite darbo vietą. Išjungę variklį būtina nusimkite apsaugines ausines.
- Jei gaminys neįprastai vibruoja, sustabdykite variklį. Jei turite benzinu varomą gaminį, nuo uždegimo

Žvakės nuimkite uždegimo žvakės antgalį. Jei turite akumuliatoriumi varomą gaminį, išimkite akumuliatorių. Pasistenkite nedelsiant surasti priežastį. Paprastai vibracija įspėja apie gedimą.

- Nepalikite gaminio be priežiūros, kai užvestas variklis.
- Laikykite įrenginį abiem rankomis. Gaminį laikykite dešinėje kūno pusėje. Gaminį naudokite nuleidę pjovimo įtaisą žemiau liemens.



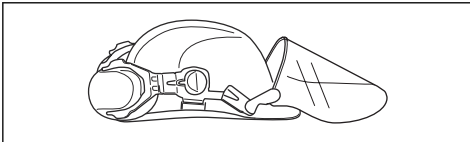
- Pjovimo įtaisas turi pjauti nuo naudotojo. Jei pjaunama link naudotojo, gali kilti rimto sužiedimo pavojus.
- Įsitikinkite, ar veikiant varikliui, rankos ir kojos nėra šalia peilio.

Asmeninės apsauginės priemonės



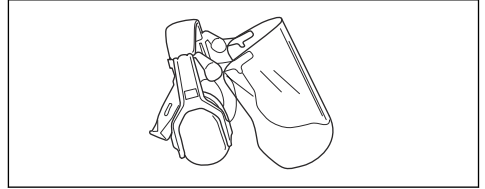
PERSPĖJIMAS: Prieš naudodami gaminį, perskaitykite toliau esančius įspėjimus.

- Naudodami įrenginį būtinai dėvėkite patvirtintas asmenines apsaugines priemones. Asmeninės apsauginės priemonės nepadės visiškai išvengti pavojaus susižeisti, tačiau nelaimingo atsitikimo atveju mažiau nukentėsite. Leiskite prekybos atstovui padėti pasirinkti tinkamą įrangą.
- Naudokite apsauginį šalimą ten, kur gali būti krentančių daiktų

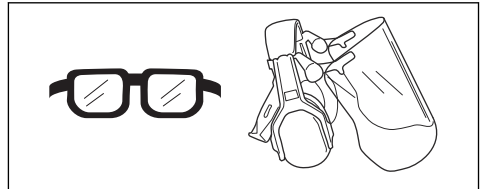


- Ilgalaisis triukšmo poveikis gali pakenkti klausai. Apskritai akumuliatoriniai gaminiai yra tylūs, tačiau klausai galima pakenkti ilgai naudojant esant tam tikram triukšmo lygiui. Husqvarna rekomenduoja operatoriams naudoti apsaugines ausines, kai gaminiai ilgą laiką naudojami be pertraukos. Ilgą laiką reguliariai gaminį naudojantys vartotojai turėtų reguliariai tikrintis klausą. Atkreipkite dėmesį, kad

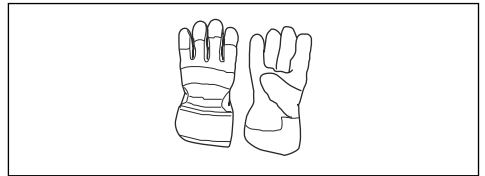
apsauginės ausinės apriboja galimybes girdėti garsus ir įspėjimo signalus.



- Naudokite patvirtintas akių apsaugos priemones. Jei naudojamas apsauginis skydelis, turi būti nešiojami ir patvirtinti apsauginiai akiniai. Patvirtinti apsauginiai akiniai yra tie, kurie atitinka JAV ANSI Z87.1 standartą arba ES EN 166 standartą.



- Kai būtina, pvz., apžiūrint arba valant pjovimo gaminį, užsimaukite pirštines.

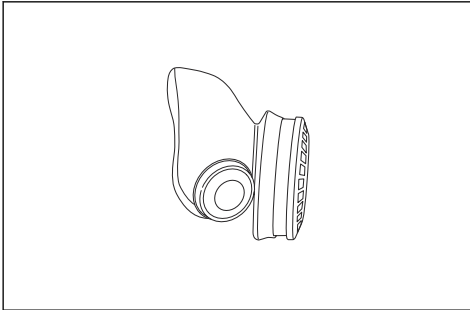


- Apsiaukite apsauginiais auliniais batais arba batais neslidžiais padais.

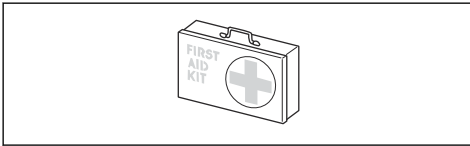


- Vilkėkite iš stiprios medžiagos pagamintus drabužius. Būtinai mėvėkite tvirtas, ilgas kelnes, vilkėkite aprangą ilgomis rankovėmis. Nevilkėkite laisvų drabužių, kurie gali užkibti už krūmokšnių ir šakų. Nenešiotokite papuošalų, trumpų kelnų, atvirų batų ir nevaikščiokite basomis. Saugiai susisiekite plaukus aukščiau pečių.

- Jei kyla dulkių pavojus, naudokite kvėpavimo apsaugą.



- Netoliese turi būti pirmosios pagalbos vaistinė.



Priedo apsauginės priemonės



PERSPĖJIMAS: Prieš naudodami gaminį, perskaitykite toliau esančius išpėjamuosius nurodymus.

Šiame skyriuje pasakojama apie priedo saugos priemones, jų paskirtį ir patariama, kaip atlikti patikrą ir ją prižiūrėti siekiant, kad įrenginys veiktų tinkamai. Žr. instrukcijas prie antraštės *Pjovimo įtaiso apžvalga psl. 154* ir sužinokite, kioje vietoje tos dalys yra priede.

Priedo tarnavimo laikas gali sutrumpėti, o nelaimingų atsitikimų pavojus gali padidėti, jei priedas nebus tinkamai prižiūrimas, o aptarnavimas ir (arba) remonto darbai nebus atliekami profesionaliai. Prireikus daugiau informacijos, prašome kreiptis į artimiausią techninės priežiūros atstovą.



PERSPĖJIMAS: Niekada nenaudokite priedo, kurio apsauginės dalys yra pažeistos. Priedo saugos įranga turi būti tikrinama ir prižiūrima taip, kaip yra aprašyta šiame skyrelyje. Jei priedas neatitinka bet kurio iš šių kontrolinių reikalavimų, kreipkitės į savo techninės priežiūros atstovą dėl gaminio remonto.



PERSPĖJIMAS: Gaminio techninė priežiūra ir taisymas reikalauja specialaus pasirengimo. Tai ypač susiję su gaminio saugos įranga. Jei jūsų gaminys neatitiks nors vieno iš toliau pateiktų kontrolės reikalavimų, kreipkitės į sertifikuotą remonto dirbtuvę. Įsigijus mūsų gaminį, garantuojame profesionalų aptarnavimą ir techninę

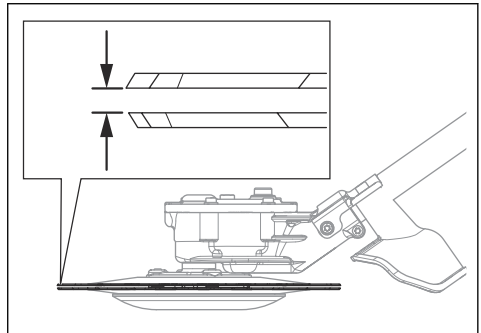
priežiūrą. Jei gamino pardavėjas neatlieka aptarnavimo, paprašykite jo duoti artimiausios remonto dirbtuvės adresą.

Pjovimo įtaiso ir pjovimo įtaiso apsaugos tikrinimas

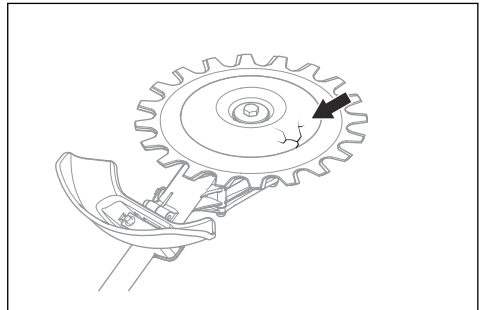


PERSPĖJIMAS: Nenaudokite pjovimo įtaiso, jei neįrengta patvirtinta pjovimo įtaiso apsauga. Jei sumontuotas netinkamas ar pažeistas pjovimo įtaiso apsaugas, galima susižeisti.

1. Išjunkite variklį ir įsitinkinkite, kad pjovimo įtaisas nebesisuka.
2. Jei turite benzinu varomą gaminį, nuo uždegimo žvakės nuimkite uždegimo žvakės antgalį. Jei turite akumuliatoriumi varomą gaminį, išimkite akumuliatorių iš gaminio.
3. Užsidėkite apsaugines pirštines.
4. Patikrinkite, ar nepažeisti peiliai. Jei peiliai pažeisti, pakeiskite. Žr. *Peilių keitimas psl. 162*.
5. Patikrinkite peilius. Įsitinkinkite, kad tarp peilių nėra tarpo. Jei tarp peilių yra tarpas, peilius galima pareguliuoti. Žr. *Tarpo tarp peilių reguliavimas psl. 163*.

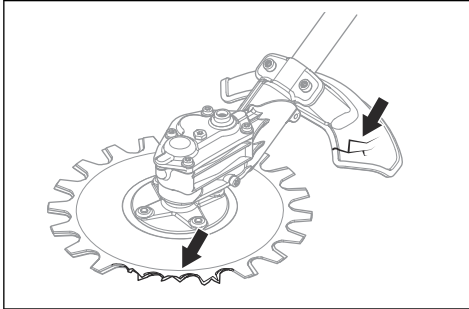


6. Įsitinkinkite, kad nepažeistas atraminis gaubtas. Sugadintą atraminį gaubtą pakeiskite.



7. Įsitinkinkite, kad priveržti pjovimo įtaiso varžtai.

8. Patikrinkite, ar nepažeistas peilis ir pjovimo įtaiso apsauga. Pakeiskite pažeistas dalis.



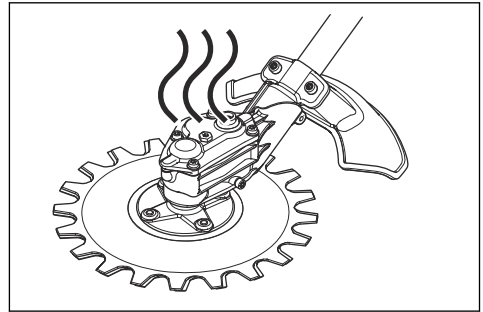
Priežiūros saugos instrukcijos



PERSPĖJIMAS: Pjovimo įtaisas gali sukeltis toliau, atleidus akceleratorių / maitinimo mygtuką. Jei turite benzinu varomą gaminį, nuo uždegimo žvakės nuimkite uždegimo žvakės antgalį. Jei turite akumuliatoriumi varomą gaminį, išimkite akumuliatorių iš gaminio. Prieš atlikdami priežiūros darbus, įsitikinkite, kad pjovimo įtaisas visiškai sustojo.



PERSPĖJIMAS: Naudojant gaminį pavaros korpusas įkaista. Karšti paviršiai gali nudeginti, nelieskite pavaros korpuso.



- Remontuodami pjovimo įrangą visada naudokite stiprias pirštines. Pjovimo įranga yra labai aštri ir ja galima lengvai įsijauti.
- Remontuodami įrenginį naudokite tik originalias atsargines dalis.

SAUGOKITE ŠIAS INSTRUKCIJAS

Naudojimas

Darbo technika



PERSPĖJIMAS: Šakos ar žolė gali įkliūti tarp pjovimo įtaiso apsaugos ir pjovimo įtaiso. Prieš valydami pjovimo įtaisą visuomet išjunkite variklį.

- Pjaukite maksimaliai nuspaudę akceleratorių / maksimaliu greičiu, o kaskart perpjovę iškart sumažinkite greitį iki tuščiosios eigos greičio.

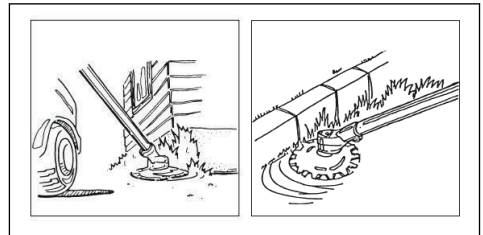


PASTABA: Jei variklis ilgą laiką veiks maksimaliu akceleratoriumi be apkrovos, galite jį pažeisti.

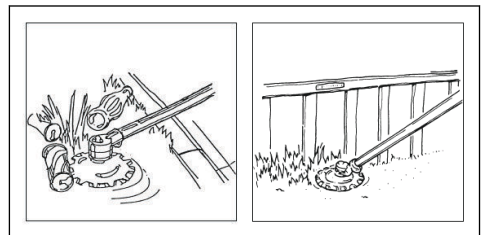
Rekomenduojamas pjovimo įtaiso naudojimas

Pjovimo įtaiso peiliai juda nedideliu kampu ir gali pjauti visomis kryptimis. Mosuokite pjovimo įtaisu palei žemę, atrėmę atraminę gaubtą į žemės paviršių. Naudokite pjovimo įtaisą pjauti:

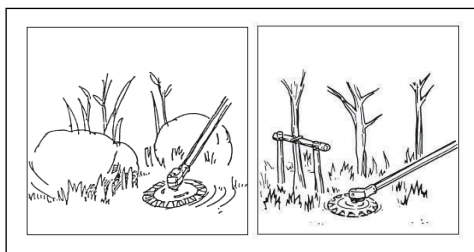
- parkams ir pakelėms;



- pakelėms ir patvorėms;



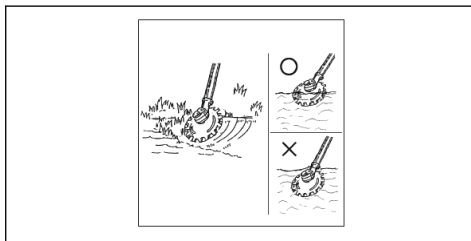
- aplink akmenis ir medžius;



- aplink vandens telkinius;



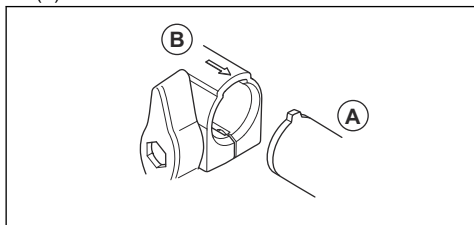
PASTABA: Nepanardinkite pavaros korpuso į vandenį.



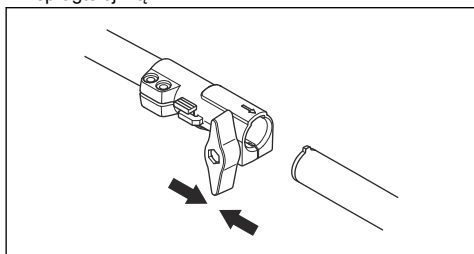
Surinkimas

Dviejų dalių veleno surinkimas

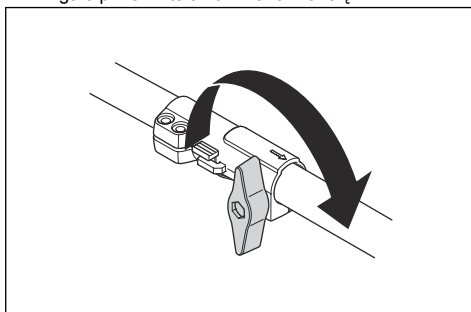
1. Pasukite rankenėlę, kad atlaisvintumėte movą.
2. Sulygiuokite pjovimo įtaisą (A) su strėle ant movos (B).



3. Atsargiai stumkite veleną į movą, kol išgirsite spragtelėjimą.

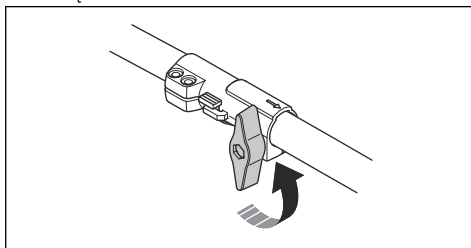


4. Iki galo priveržkite tvirtinimo rankenėlę.



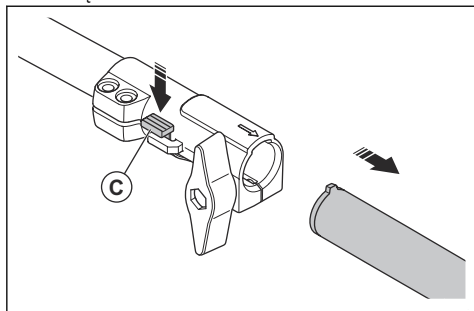
Dviejų dalių veleno išrinkimas

1. Pasukite rankenėlę 3 kartus, kad atlaisvintumėte movą.



2. Paspauskite ir laikykite nuspaudę mygtuką (C).
3. Tvirtai laikykite už veleno galo, prie kurio prijungtas variklis.

4. Priedą traukite iš movos tiesiai.



Techninės priežiūros darbas

Įvadas

Toliau pateikiamos bendros priežiūros instrukcijos. Jei reikia daugiau informacijos, prašome kreiptis į techninio aptarnavimo dirbtuves.

Pasižymėkite: Naudotojas privalo atlikti tik šioje naudojimo instrukcijoje pateikiamus priežiūros darbus. Kiti techninės priežiūros darbai turi būti atliekami patvirtintose techninės priežiūros dirbtuvėse.

Priežiūros grafikas

Toliau pateiktas pjovimo įtaiso priežiūros darbų sąrašas.

Techninės priežiūros darbas	Kasdien	Savaitinė	Kiekvieną mėnesį
Valykite išorines gaminio dalis.	X		
Patikrinkite, ar nepažeisti peiliai. Jei peiliai pažeisti, pakeiskite.	X		
Įsitikinkite, kad pjovimo įtaiso apsaugas nepažeistas. Jeigu pjovimo įtaiso apsauga sugadinta, ją pakeiskite.	X		
Įsitikinkite, kad nepažeistas atraminis gaubtas. Sugadintą atraminį gaubtą pakeiskite.	X		
Patikrinkite, ar gerai priveržtos varžlės ir varžtai.	X		
Pripildykite pavaros korpusą tepalu maždaug kas 100 darbo valandų.		X	

Peilių valymas ir tepimas

- Prieš naudodami gaminį ir jį panaudoję nuvalykite pašalines medžiagas nuo peilių.
- Jeigu ketinate ilgą laiką nenaudoti, sutepkite peilius.

Pasižymėkite: Dėl išsamesnės informacijos apie rekomenduojamas valymo medžiagas ir tepalus kreipkitės į techninės priežiūros atstovą.

Pavaros korpuso tepimas

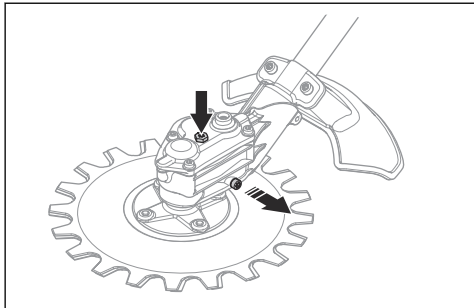


PASTABA: Nepripildykite sklidinai pavaros korpuso. Jei pavaros korpusas yra pilnas,

tepalas gali pažeisti tarpiklius ir sukelti nutekėjimą.

- Išimkite sutepimo angos kaiščius.

2. Sutepkite viršutinę angą.



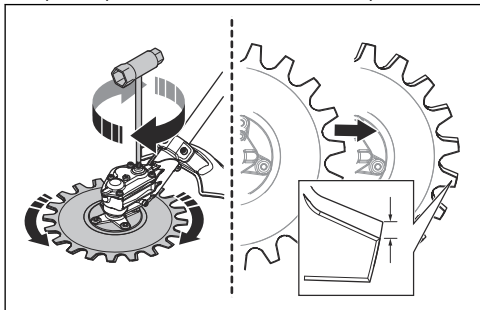
3. Įstatykite sutepimo angos kaiščius.

Peilių galandimas

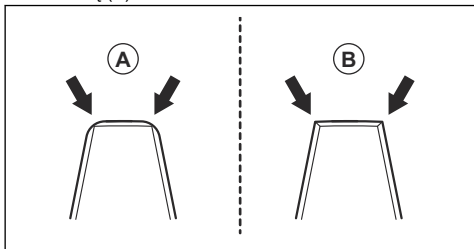


PERSPĖJIMAS: Peilius laikykite apsimovę apsaugines pirštines.

1. Įstatykite kombinuotą veržliaraktį į pavaros korpuso lizdą.
2. Sukite kombinuotą veržliaraktį, kol tarp viršutinio ir apatinio peilio atsiras 3 mm / 0,12 col tarpas.

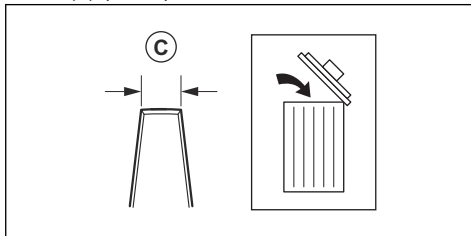


3. Pagalškite ašmenis (B), kuriuos pasiekiate galandimo staklėmis. Jokiu būdu neužapvalinkite ašmenų (A).



4. Sukite kombinuotą veržliaraktį priešinga kryptimi, kad pasiektumėte priešingus ašmenis.
5. Pagalškite ašmenis, kuriuos pasiekiate galandimo staklėmis.

6. Kai dantuko plotis taps mažesnis nei 8 mm / 0,32 col. (C), peilius pakeiskite.



Peilių keitimas



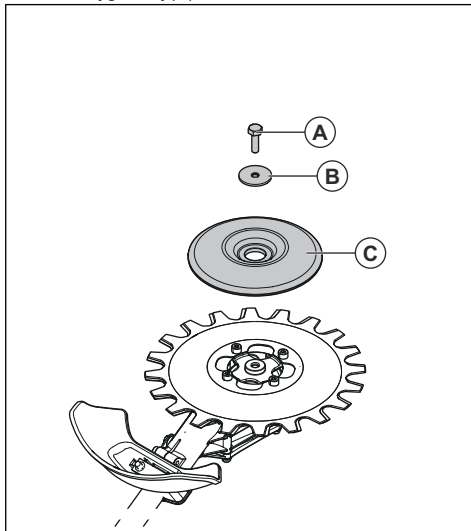
PERSPĖJIMAS: Peilius laikykite apsimovę apsaugines pirštines.



PERSPĖJIMAS: Kad gaminys būtų subalansuotas ir nevirbuotų, keisdami peilius išvalykite pjovimo įtaisą.

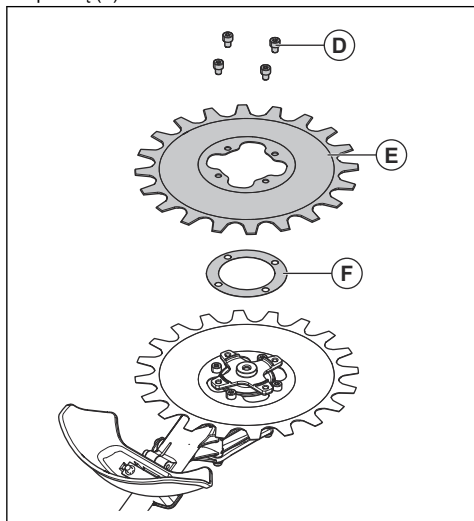
Pasižymėkite: Peiliai yra keičiami.

1. Išsukite centrinį varžtą (A), nuimkite poveržlę (B) ir atraminį gaubtą (C).

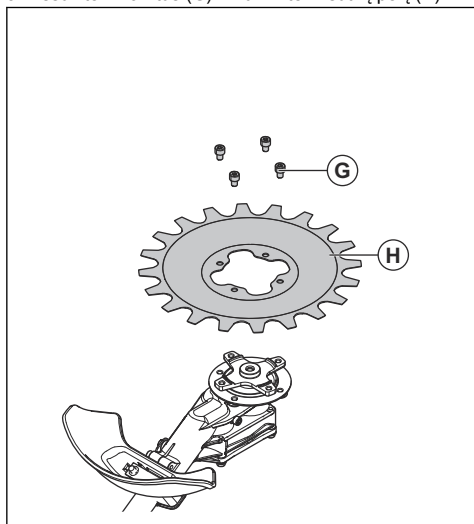


Pasižymėkite: Centrinio varžto sriegis yra kairinis

- Išsukite 4 varžtus (D), nuimkite apatinį peilį (E) ir pleištą (F).



- Išsukite 4 varžtus (G) ir nuimkite viršutinį peilį (H).



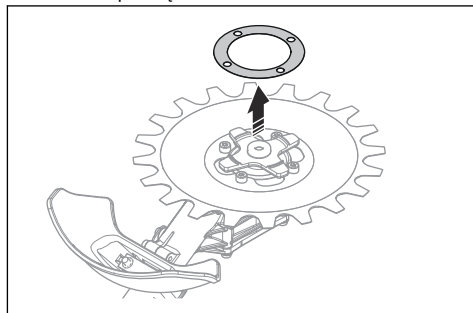
- Pritvirtinkite peilius priešinga tvarka. Tvirtindami peilius priveržkite varžtus vienoda jėga.

Tarpo tarp peilių reguliavimas



PERSPĖJIMAS: Peilius laikykite apsimovę apsaugines pirštines.

- Nuimkite apatinį peilį, žr. *Peilių keitimas psl. 162*.
- Ištraukite pleištą.



Pasižymėkite: Saugokite pleištą kitam peilių keitimui.

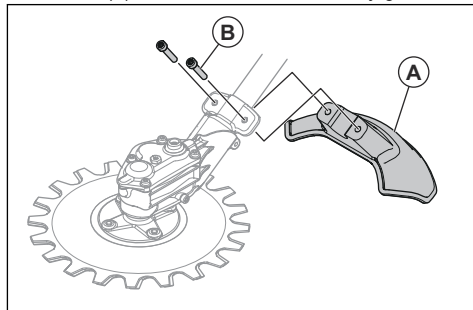
- Pritvirtinkite apatinį peilį. Tvirtindami peilius priveržkite varžtus vienoda jėga.

Pjovimo įtaiso apsaugos keitimas



PERSPĖJIMAS: Peilius laikykite apsimovę apsaugines pirštines

- Išsukite 2 varžtus (B) ir nuimkite pjovimo įtaiso apsaugą (A).
- Pritvirtinkite naują pjovimo įtaiso apsaugą (A) 2 varžtais (B). Priveržkite varžtus vienoda jėga.



Transportavimas, saugojimas ir utilizavimas

Pervežimas ir laikymas

- Kai gaminys nenaudojamas, transportuojamas arba saugomas, įsitikinkite, kad transportavimui skirtas apsauginis elementas tinkamai pritvirtintas prie pjovimo įtaiso.

- Laikykite pjovimo įtaisą užrakintoje patalpoje, kad jo nepasiektų vaikai arba neįgalioti asmenys.
- Transportavimo metu tinkamai pritvirtinkite pjovimo įtaisą, kad jo nesugadintumėte ir nenuitiktų nelaimė.

- Prieš palikdami saugoti ilgesniam laikui, įsitikinkite, kad pjovimo įtaisas yra švarus ir atlikti visi priežiūros darbai.

Techniniai duomenys

Techniniai duomenys

RA850	
Svoris	
Svoris, kg	2,5
Skleidžiamas triukšmas³⁷	
Garso stiprumo lygis, išmatuotas dB (A)	102
Garso galios lygis, garantuojamas L_{WA} , dB (A)	105
Triukšmo lygiai³⁸	
Ekvivalentinis garso slėgio lygis naudotojo ausyse, išmatuotas pagal EN ISO EN ISO 11806-1 ir EN ISO 22868, dB(A)	
Su patvirtintu naudoti originaliu priedu	90
Vibracijos lygis³⁹	
Ekvivalentiški rankenų vibracijos lygiai ($a_{hv,eq}$), išmatuoti pagal EN ISO 11806-1 ir ISO 22867, m/s^2	
Su patvirtintu naudoti originaliu (kairiuoju arba dešiniuoju) priedu	3,9/4,8
Peiliai	
Skersmuo, mm	230
Peilio greitis, aps. / min.	4600

³⁷ Triukšmas, skleidžiamas į aplinką, išmatuotas kaip garso galia (L_{WA}) pagal EB direktyvą 2000/14/ EB. Pateiktas įrenginio garso stiprumo lygis buvo išmatuotas naudojant didžiausią garsą sukeltą originalų pjovimo įtaisą. Skirtumas tarp garantuojamo ir matuojamo garso stiprumo yra tas, kad pagal Direktyvą 2000/14/EB garantuojamasis garso stiprumas apima ir matavimo rezultatų sklaidą bei nukrypimus tarp skirtingų to pačio modelio įrenginių.

³⁸ Pateiktuose duomenyse apie ekvivalentinį įrenginio garso slėgio lygį yra 1 dB (A) tipiška statistinė sklaida (standartinis nuokrypis).

³⁹ Pateiktuose atitinkamo vibracijos lygio duomenyse yra 1 m/s^2 tipiška statistinė sklaida (standartinis nuokrypis).

EB atitikties deklaracija

EB atitikties deklaracija

„Husqvarna AB“, SE-561 82 Huskvarna, Švedija, tel. +46-36-146500, patvirtina, kad reciprocator attachment **Husqvarna RA850**, kurių serijos numeriai yra 2019 ir vėlesni (metai aiškiai nurodyti ant vardinių parametru plokštelių, po jų – serijos numeris), atitinka šių TARYBOS DIREKTYVŲ reikalavimus:

- 2006 m. gegužės 17 d. įrengimų direktyvos **2006/42/EB**.
- 2011 m. birželio 8 d. Direktyvos **2011/65/ES** dėl tam tikrų pavojingų medžiagų naudojimo elektros ir elektroninėje įrangoje apribojimo.
- 2000 m. gegužės 8 d. direktyvos **2000/14/EB** dėl į aplinką skleidžiamo triukšmo. Atitikties įvertinimas remiantis V priedu. Daugiau informacijos apie triukšmo emisiją žr. sk. „Techniniai duomenys“.

Taikyti šie standartai:

EN ISO 11806-1:2011, EN 50581:2012

RISE SMP Svensk Maskinprovning AB, Box 7035, SE-750 07 Uppsala, Sweden savanoriškai patvirtino tipą įmonei „Husqvarna AB“. Sertifikatai numeruojami taip:

SEC/19/2528

Huskvarna, 2019-03-11



Per Gustafsson, plėtros vadovas (igaliotasis „Husqvarna AB“ atstovas, atsakingas už techninę dokumentaciją).

Saturs

Ievads.....	166	Apkope.....	173
Drošība.....	168	Pārvadāšana, glabāšana un utilizēšana.....	176
Lietošana.....	171	Tehniskie dati.....	176
Montāža.....	172	EK atbilstības deklarācija.....	178

Ievads

Paredzētā lietošana



BRĪDINĀJUMS: Griešanas ierīci drīkst lietot tikai kopā ar saderīgiem produktiem. Skatiet produkta lietotāja rokasgrāmatu.

Griešanas ierīce tiek izmantota, lai plautu zāli un grieztu krūmus.

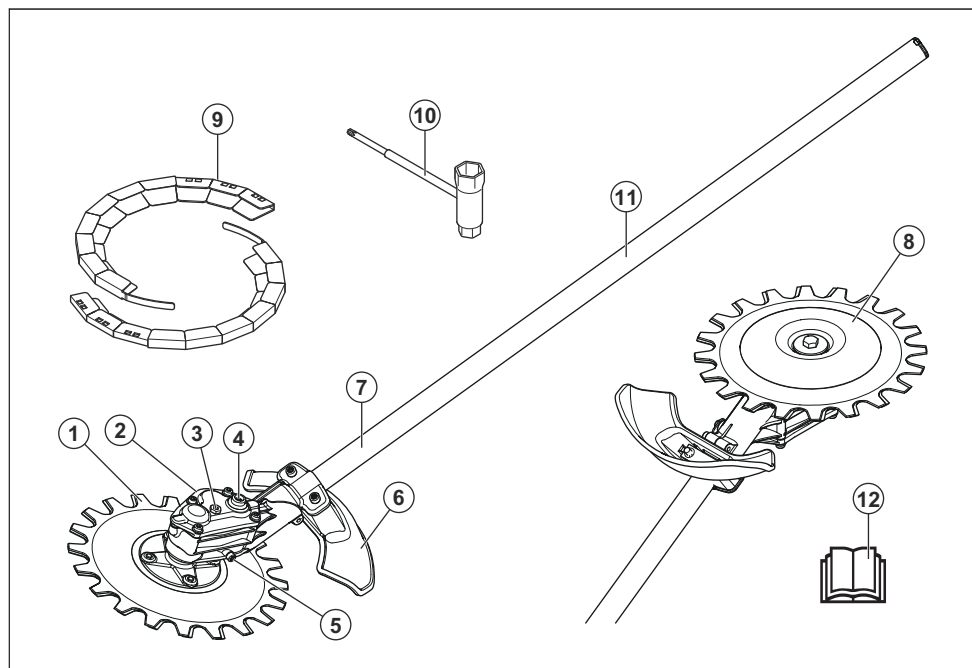
Piezīme: Šī ķēdes zāģa lietošanu var ierobežot valsts normatīvie akti.

Izstrādājuma apraksts

Mēs pastāvīgi strādājam, lai pilnveidotu savus izstrādājumus, un tāpēc paturam tiesības izdarīt izmaiņas, piemēram, izstrādājumu formai un izskatam bez iepriekšēja paziņojuma.

Piezīme: Šī rokasgrāmata attiecas gan uz instrumentiem, kas darbojas ar benzīnu, gan tiem, kas darbojas ar akumulatoru.

Griešanas ierīces apskats



1. Asmeņiem
2. Pārnesumkārbas (reduktora) karteris
3. Augšējais ziedes (smērvielas) aizgrieznis
4. Ligzda asmeņu manuālai pārvietošanai
5. Apakšējais ziedes (smērvielas) aizgrieznis
6. Griešanas ierīces aizsargs

7. Vārpsta
8. Atbalsta plātne
9. Transportēšanas aizsargs
10. Kombinētā uzgriežņu atslēga
11. Informācijas un brīdinājuma uzlīme
12. Lietošanas rokasgrāmata

Apzīmējumi uz piederuma un instrumenta



Pavirša vai nepareiza šīs ierīces lietošana var radīt bīstamas vai nāvējošas traumas lietotājam vai citām personām.



Rūpīgi izlasiet šo lietotāja rokasgrāmatu un pirms ierīces lietošanas pārlicinieties, vai izprotat norādījumus.



Izmantojiet aizsargķiveri vietās, kur jums var uzkrīst priekšmeti. Izmantojiet apstiprinātus zirdzes aizsarglīdzekļus. Izmantojiet apstiprinātus acu aizsarglīdzekļus.



Vienmēr lietojiet apstiprinātus aizsargcimdus.



Izmantojiet nesliedošus un stabilus zābakus.



Maksimālais griezienu skaits minūtē.



Bultiņas norāda roktura atrašanās vietas ierobežojumus.



Izstrādājums var izviest objektus, kas var radīt traumas.



Izstrādājuma lietošanas laikā ievērojiet minimālo attālumu — 15 m/50 pēdas — no cilvēkiem un dzīvniekiem.



Lietotājam jānodrošina, lai citi cilvēki vai dzīvnieki nebūtu darba vietai tuvāk par 15 metriem. Ja vairāki ierīces lietotāji strādā vienā darba vietā, drošības attālumam ir jābūt ne mazākam par 15 metriem. Piederums ar lielu spēku var izmest priekšmetus, kas, atsitoties, var atlēkt atpakaļ. Nelietojot atbilstošu drošības aprīkojumu, tas var radīt smagas acu traumas.



Trokšņa emisijas līmenis atbilst Eiropas Kopienas direktīvai. Piederuma emisiju līmenis ir norādīts nodaļā *Tehniskie dati lpp. 176* un uz uzlīmes.



Šis piederums atbilst spēkā esošajām EK direktīvām.



Šis izstrādājums atbilst piemērojamo EAC direktīvu prasībām.



Šis izstrādājums atbilst piemērojamo Ukrainas direktīvu prasībām.



Šis izstrādājums atbilst piemērojamo Austrālijas un Jaunzēlandes elektromagnētiskās saderības direktīvu prasībām.

yyyywwxxxx

Sērijas numura uzlīmē ir norādīts sērijas numurs. **yyyy** ir ražošanas gads un **ww** ir ražošanas nedēļa.

Piezīme: Pārējie uz ierīces norādītie simboli/norādes atbilst noteiktu valstu sertifikācijas prasībām.

ES V



BRĪDINĀJUMS: Motora atvēršana anulē šī ķēdes zāga ES tipa apstiprinājumu.

SVARĪGI NORĀDĪJUMI PAR DROŠĪBU

Drošības definīcijas

Brīdinājumi, norādes "Uzmanību!" un piezīmes tiek izmantotas, lai izceltu īpaši svarīgas lietotāja rokasgrāmatas daļas.



BRĪDINĀJUMS: Tiek izmantota tad, ja rokasgrāmatā sniegto instrukciju neievērošanas dēļ operatoram vai blakus esošajām personām draud traumu vai nāves risks.



IEVĒROJIET: Tiek izmantota tad, ja rokasgrāmatā sniegto instrukciju neievērošanas dēļ rodas izstrādājuma un/vai papildaprīkojuma, citu materiālu vai blakus esošās teritorijas bojājuma risks.

Piezīme: Tiek izmantota, lai sniegtu plašāku informāciju, kas nepieciešama attiecīgajā situācijā.

Izlasiet visus norādījumus



BRĪDINĀJUMS: Lietojot elektriskās dārza kopšanas ierīces, obligāti jāievēro pamata drošības pasākumi, lai samazinātu aizdegšanās, strāvas trieciena un traumu risku, tostarp jāievēro tālāk norādītais.

Vispārīgi norādījumi par drošību



BRĪDINĀJUMS: Pirms sākat lietot šo ierīci, izlasiet zemāk izklāstītās drošības instrukcijas.

- Rūpīgi izlasiet šo lietotāja rokasgrāmatu un pirms ierīces lietošanas pārliecinieties, vai izprotat norādījumus.
- Šīs instrukcijas ir izstrādājuma komplektācijā iekļauto instrukciju papildinājums. Sīkāku lietošanas informāciju skatiet ekspluatācijas instrukcijās.
- Nekādā gadījumā bez ražotāja atļaujas nedrīkst mainīt šīs ierīces konstrukciju. Nelietojiet ierīci, ko varētu būt pārveidojušas trešās puses, un obligāti izmantojiet oriģinālos piederumus. Neatļautas izmaiņas un/vai neatļauti piederumi var radīt smagas vai nāvējošas traumas izstrādājuma lietotājam un citiem.

- Personām ar asinsrites traucējumiem pārmērīga atrašanās vibrācijas ietekmē var negatīvi ietekmēt asinsriti un nervu sistēmu. Ja jūtat pārmērīgas vibrāciju ietekmes simptomus, apmeklējiet ārstu. Tie var būt nejutīgums, tirpšana, dūrieni, sāpes, spēka zudums, ādas krāsas vai stāvokļa izmaiņas. Šie simptomi parasti ir novērojami pirkstos, rokās vai locītavās. Aukstumā šie simptomi var būt izteiktāki.

Norādījumi par drošu darbu



BRĪDINĀJUMS: Pirms sākat lietot izstrādājumu, izlasiet tālāk izklāstītās brīdinājuma instrukcijas.

- Izmantojiet izstrādājumu tikai šajā rokasgrāmatā aprakstītajiem darbiem. Skatiet šeit: *Paredzētā lietošana lpp. 166.*
- Nelietojiet izstrādājumu, ja neesat pārliecināts, vai varat to lietot.
- Neizmantojiet šo izstrādājumu, ja esat noguris, slims vai atrodaties alkohola, narkotiku vai medikamentu iespaidā. Tas var pasliktināt jūsu redzi, spriestspēju vai koordināciju.
- Neizmantojiet izstrādājumu, ja jums nebūs iespējas saņemt palīdzību, notiekot negadījumam.
- Nelietojiet izstrādājumu, ja ir bojājumu pazīmes.
- Pārliecinieties, vai griešanas ierīce vienmēr apstājas, kad dzinējs/motors darbojas tukšgaitā.
- Nodrošiniet, lai neviens griešanas laikā neatrastos tuvāk par 15 m/50 pēdām. Pārliecinieties, ka darba zonā atrodas tikai piederošas personas.
- Neļaujiet bērniem lietot izstrādājumu vai atrasties tā tuvumā.
- Gādājiet, lai darba veikšanas vieta būtu tīra un apgaismota. Nelietojiet izstrādājumu sliktos laikapstākļos, piemēram, miglā, spēcīga lietus laikā, stiprā vējā, lielā aukstumā, gadījumos, ja ir paredzama zibenošana.
- Ja ekspluatācijas laikā kaut kas ieķeras asmeņos, apstādiniet dzinēju/motoru un uzgaidiet, līdz asmeņi nekustas. Noņemiet aizdedzes sveces uzgali no aizdedzes sveces/noņemiet akumulatoru. Ievietojiet kombinēto uzgriežņu atslēgu pārnēsūmkārba (reduktora) kartera ligzdā, lai pārvietotu asmeņus, sk. *Asmeņu asināšana lpp. 174.*
- Ja asmeņi ekspluatācijas laikā tiek bojāti, augšējais un apakšējais asmens var ieķerties viens otrā. Nepieskarieties asmeņiem, tie var pēkšņi izkustēties un radīt traumas.
- Pārliecinieties, ka esat drošā un stabilā pozīcijā darbības laikā.
- Izstrādājums var izsviest priekšmetus lielā ātrumā. Pārliecinieties, vai visas personas darba veikšanas vietā izmanto apstiprinātu individuālo drošības

aprikojumu. Noņemiet no darba veikšanas vietas nenostiprinātus priekšmetus.

- Ja lietojat dzirdes aizsarglīdzekļus, pārbaudiet darba veikšanas vietu. Līdzko dzinējs/motors apstājas, vienmēr noņemiet dzirdes aizsarglīdzekļus.
- Ja izstrādājumam rodas neparastas vibrācijas, apstādiniet dzinēju/motoru. Ja izmantojat ar benzīnu darbināmu izstrādājumu, noņemiet aizdedzes sveces uzgali no aizdedzes sveces. Ja izmantojat ar akumulatoru darbināmu izstrādājumu, noņemiet akumulatoru. Nekavējoties noskaidrojiet cēloni. Parasti vibrācija liecina par bojājumu.
- Neatstājiet izstrādājumu, kad darbojas tā dzinējs/motors.
- Turiet izstrādājumu ar abām rokām. Turiet izstrādājumu pa labi no sevis. Lietojiet izstrādājumu, tā griešanas ierīcei atrodoties zemāk par jūsu jostasvietu.



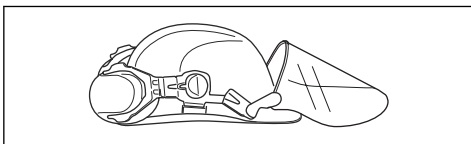
- Griešanas ierīcei jāgriež virzienā prom no lietotāja. Griežot lietotāja virzienā, var tikt gūtas nopietnas traumas.
- Nodrošiniet, lai dzinēja/motora darbības laikā rokas un kāju pēdas nemonāktu saskarē ar asmeņiem.

Individuālie aizsarglīdzekļi

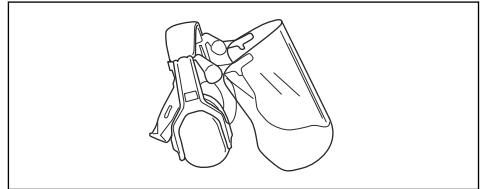


BRĪDINĀJUMS: Pirms sākat lietot izstrādājumu, izlasiet tālāk izklāstītās brīdinājuma instrukcijas.

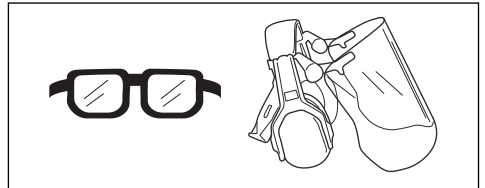
- Izmantojot izstrādājumu, vienmēr lietojiet apstiprinātus individuālos aizsarglīdzekļus. Šādi līdzekļi nevar pilnībā novērst traumu gūšanas risku, taču samazina traumu smaguma pakāpi, ja negadījums tomēr notiek. Ļaujiet izplatītājam palīdzēt jums izvēlēties pareizo aprikojumu.
- Izmantojiet aizsargķiveri, ja pastāv krītošu priekšmetu draudi.



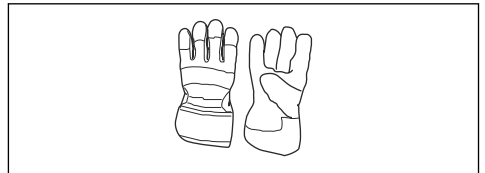
- Ilgstoša uzturēšanās troksnī var bojāt dzirdi. Ar akumulatoriem darbināmas ierīces kopumā ir salīdzinoši klusas, taču bojājumus var radīt trokšņa līmenis apvienojumā ar ilgstošo iedarbību. Husqvarna iesaka operatoriem lietot dzirdes aizsarglīdzekļus, ja ierīce tiek lietota ilgstošāk dienas gaitā. Ja lietotājs ar ierīci strādā ilgstoši un regulāri, viņam ir regulāri jāpārbauda dzirde. Ņemiet vērā to, ka dzirdes aizsarglīdzekļi ierobežo iespēju dzirdēt skaņas un brīdinājuma signālus.



- Izmantojiet apstiprinātus acu aizsarglīdzekļus. Apstiprinātas aizsargbrilles ir jālieto arī tad, ja tiek izmantots sejsēgs. Apstiprinātas aizsargbrilles ir tādas, kas atbilst standarta ANSI Z87.1 prasībām ASV vai standarta EN 166 prasībām ES valstīs.



- Vajadzības gadījumā izmantojiet cimdus, piemēram, pārbaudot vai tīrot izstrādājumu.

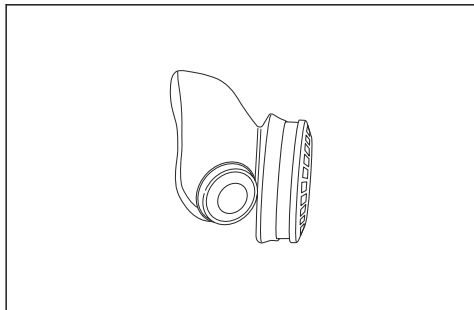


- Lietojiet aizsargapavus vai apavus ar neslīdošu zoli.



- Lietojiet izturīga auduma apģērbu. Vienmēr valkājiet biezas, garas bikses un apģērbu ar garām piedurknēm. Nevalkājiet vaļīgu apģērbu, kas viegli var iekerties krūmos un zaros. Nenēsājiet rotaslietas, nevelciet šortus un atvērtus apavus un nestrādājiet basām kājām. Sakārtojiet matus droši virs pleciem.

- Ja pastāv putekļu risks, izmantojot elpošanas aizsarglīdzekļus.



- Gādājiet, lai tuvumā būtu pirmās palīdzības piederumi.



Izstrādājuma drošības ierīces



BRĪDINĀJUMS: Pirms sākat lietot šo ierīci, izlasiet zemāk izklāstītos brīdinājumus.

Šajā sadaļā ir izskaidrota ierīces drošības funkciju nozīme, to mērķis un veidi, kā tiek veikta pārbaude un apkope, lai garantētu ierīces pareizu darbību. Lai noskaidrotu, kurā ierīces vietā atrodas šīs daļas, skatiet norādījumus sadaļā *Griešanas ierīces apskats lpp. 166*.

Ja ierīces apkope netiek veikta pareizi un ja apkopi un/vai remontu neveic profesionāli, ierīces darbmužs var būt īsāks un var palielināties nelaimes gadījumu risks. Ja nepieciešama papildu informācija, sazinieties ar tuvāko izplatītāju, kas nodrošina apkopi.



BRĪDINĀJUMS: Nekādā gadījumā nelietojiet ierīci ar bojātu drošības aprīkojumu. Ierīces drošības aprīkojums ir jāpārbauda un jāaiztur, pamatojoties uz šajā nodaļā izklāstīto informāciju. Ja ierīce neatbilst iepriekš aprakstīto pārbaucēju prasībām, sazinieties ar vietējo remontdarbnieku, lai ierīci saremontētu.



BRĪDINĀJUMS: Izstrādājuma apkopi un remontu drīkst veikt tikai īpaši apmācīti tehniķi. Tas jo īpaši attiecas uz izstrādājuma drošības aprīkojumu. Ja jūsu izstrādājums neatbilst zemāk aprakstīto pārbaucēju prasībām, sazinieties ar apkopes pakalpojumu nodrošinātāju. Jebkura mūsu izstrādājuma iegāde garantē profesionāla

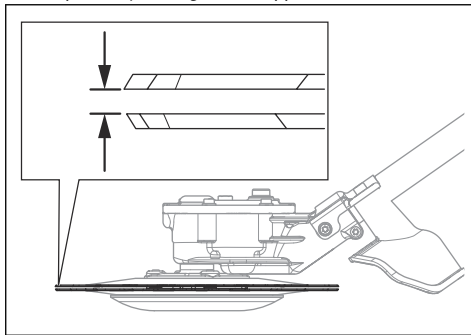
remonta un apkopes pieejamību. Ja mazumtirgotājs, pie kura iegādājāties izstrādājumu, nav apkopi veicošs izplatītājs, uzziniet no viņa tuvākā apkopes veicēja adresi.

Griešanas ierīces un griešanas ierīces aizarga pārbaude

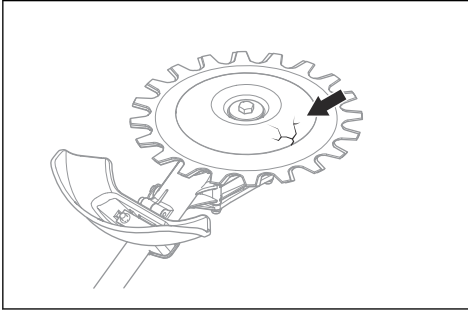


BRĪDINĀJUMS: Ja nav uzstādīts apstiprināts griešanas ierīces aizsargs, nekādā gadījumā nedrīkst izmantot griešanas ierīci. Ja griešanas ierīces aizsargs ir uzstādīts nepareizi vai ir defektīvs, pastāv traumas risks.

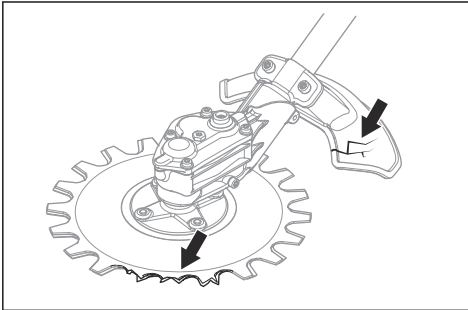
1. Izslēdziet dzinēju un pārliecinieties, vai griešanas ierīce apstājas.
2. Ja izmantojat ar benzīnu darbināmu izstrādājumu, noņemiet aizdedzes sveces uzgali no aizdedzes sveces. Ja izmantojat ar akumulatoru darbināmu izstrādājumu, noņemiet akumulatoru no izstrādājuma.
3. Uzvelciet aizsargcimdus.
4. Pārbaudiet, vai asmeņi nav bojāti. Asmeņi ir jāmaina, ja tie ir bojāti. Skatiet šeit: *Asmeņu maiņa lpp. 175*.
5. Pārbaudiet asmeņus. Pārbaudiet, vai starp asmeņiem nav brīva vieta. Ja starp asmeņiem ir brīva vieta, asmeņi ir jāregulē. Skatiet šeit: *Atstarpes starp asmeņiem regulēšana lpp. 175*.



6. Pārļiecinieties, vai balsta cilindrs nav bojāts. Ja balsta cilindrs ir bojāts, nomainiet to.



7. Gādājiet, lai griešanas ierīces skrūves būtu pieskrūvētas.
8. Pārļiecinieties, vai nav bojāti asmeņi un griešanas ierīces aizsargs. Nomainiet bojātās daļas.



Norādījumi par drošu tehnisko apkopi

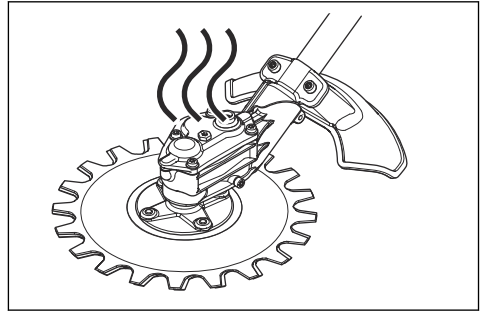


BRĪDINĀJUMS: Griešanas ierīce var turpināt griezties pēc tam, kad drosele/spēka sprūds ir atlaists. Ja izmantojat ar benzīnu

darbināmu izstrādājumu, noņemiet aizdedzes sveces uzgali no aizdedzes sveces. Ja izmantojat ar akumulatoru darbināmu izstrādājumu, noņemiet akumulatoru no izstrādājuma. Pārļiecinieties, vai griešanas ierīce ir pilnībā apstājusies, pirms veicat apkopi.



BRĪDINĀJUMS: Pārnesumkārbas (reduktora) karteris izstrādājuma ekspluatācijas laikā kļūst karsts. Karstas virsmas var radīt apdegumus, nepieskarieties pārnesumkārbas (reduktora) karterim.



- Remontējot griešanas ierīci, vienmēr izmantojiet izturīgus cimdus. Griešanas aprīkojums ir ļoti ass un var viegli radīt griezumus.
- Labojot ierīci, vienmēr izmantojiet tikai oriģinālās detaļas.

SAGLABĀJIET ŠOS NORĀDĪJUMUS

Lietošana

Darba tehnika



BRĪDINĀJUMS: Zari vai zāle var iekerties starp griešanas ierīces aizsargu un griešanas ierīci. Pirms griešanas ierīces tīrīšanas vienmēr izslēdziet tās dzinēju/motoru.

- Zāgēšanas laikā izmantojiet pilnībā atvērtu drosele (droseļvārstu)/ātrumu, bet pēc katras zāgēšanas samaziniet ātrumu līdz brīvgaitas apgriezienu skaitam.

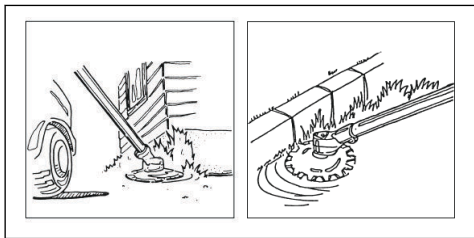


IEVĒROJIET: Ja dzinējs/motors darbojas ar pilnu jaudu bez slodzes pārāk ilgi, var rasties tā bojājumi.

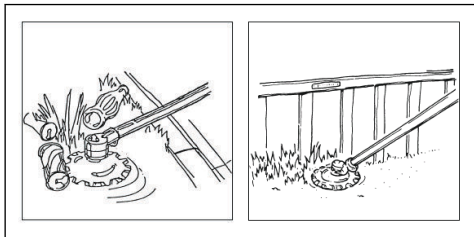
Griešanas ierīces ieteicami izmantošanas veidi

Griešanas ierīces asmeņi pārvietojas ar nelielu leņķi un var griezt visos virzienos. Pārvietojiet griešanas ierīci gar zemi tādā augstumā, kur balsta cilindrs pieskaras zemei. Izmantojiet griešanas ierīci, lai grieztu tālāk norādītajās vietās.

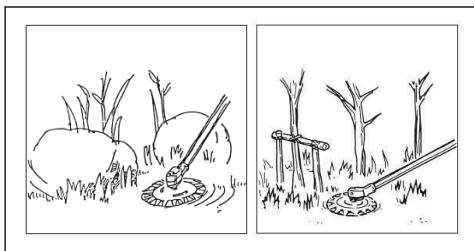
- Parki un ceļmalas.



- Ceļmalas un žogu tuvumā.



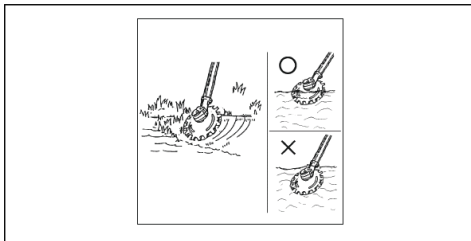
- Ap akmeņiem un kokiem.



- Ūdens tuvumā.



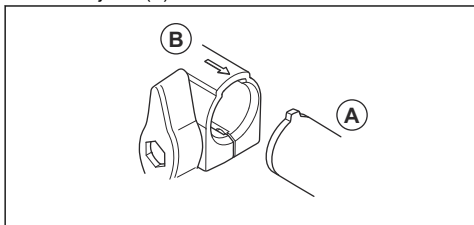
IEVĒROJIET: Neiegremdējiet pānesumkārbas (reduktora) karteri ūdenī.



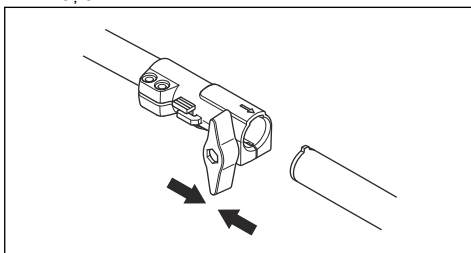
Montāža

Divdaļīgā stieņa montāža

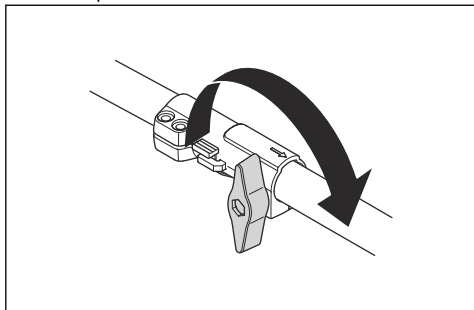
1. Pagrieziet rokturi, lai atlaistu savienojumu.
2. Salāgojiet griešanas ierīces (A) izcilni ar bultiņu uz savienojuma (B).



3. Uzmanīgi iebīdiet vārpstu savienojumā, līdz atskan klikšķis.

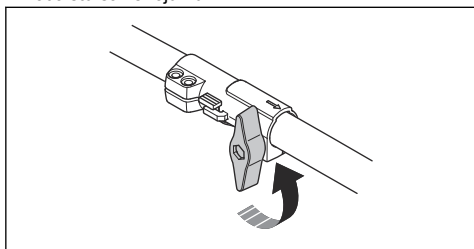


4. Pilnībā pievelciet rokturi.

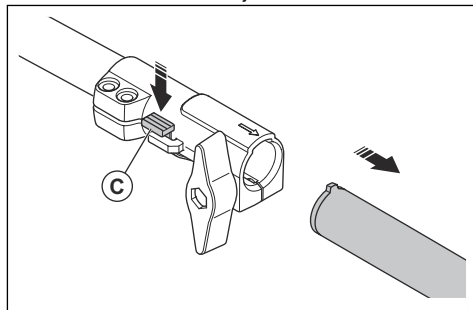


Dvīdaļīgās vārpstas izjaukšana

1. Pagrieziet rokturi trīs apgriezienus vai vairāk, lai atlaistu savienojumu.



2. Turiet nospiestu pogu (C).
3. Turiet cieši vārpstas galu, pie kura ir piestiprināts dzinējs.
4. Izvelciet ierīci no savienojuma.



Apkope

levads

TĀĪĀK tekstĀ iepazīsimies ar daĀĀm vispĀrĀjam apkopes instrukcijĀm. Ja jums nepieciešama papildinformācija, lūdzu, sazinieties ar tehniskās apkopes centru.

Apkopes grafiks

Tālāk ir norādīts apkopes darbību saraksts, kas ir jāveic griešanas ierīcei.

Piezīme: Lietotājs drīkst veikt tikai tādas uzturēšanas un apkopes darbības griešanas ierīcei, kas ir minētas lietotāja rokasgrāmatā. Citi uzturēšanas un apkopes darbi ir jāveic pilnvarotai apkopes darbnīcai.

Apkope	Katru dienu	Reizi nedēļā	Reizi mēnesī
Notīriet izstrādājuma ārējās daļas.	X		
Pārbaudiet, vai asmeņi nav bojāti. Asmeņi ir jāmaina, ja tie ir bojāti.	X		
Pārbaudiet, vai griešanas ierīces aizsargs nav bojāts. Ja griešanas ierīces aizsargs ir bojāts, nomainiet to.	X		
Pārliecinieties, vai balsta cilindrs nav bojāts. Ja balsta cilindrs ir bojāts, nomainiet to.	X		
Pārliecinieties, vai skrūves un uzgriežņi ir stingri pievilkti.	X		
Piepildiet pārnēsūmkārbas (reduktora) karteri ar ziedi (smērvielu), aptuveni ik pēc 100 darba stundām.		X	

Asmeņu tīrīšana un ieeļļošana

1. Pirms un pēc izstrādājuma izmantošanas notīriet no tā asmeņiem nevēlamos materiālus.
2. Pirms ilga uzglabāšanas perioda ieeļļojiet asmeņus.

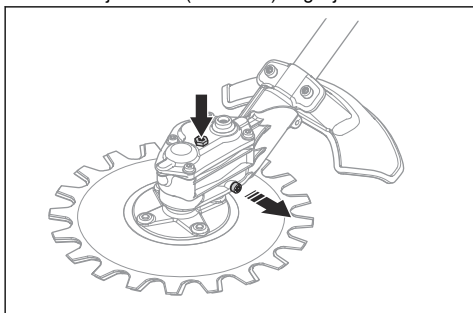
Piezīme: Lai iegūtu plašāku informāciju par ieteicamajiem tīrīšanas līdzekļiem un smērvielām, sazinieties ar izplatītāju, kas nodrošina apkopi.

Pārnēsūmkārbas (reduktora) kartera ieeļļošana



IEVĒROJIET: Nepiepildiet pārnēsūmkārbas (reduktora) karteri pilnībā. Ja pārnēsūmkārbas (reduktora) karteris ir pilns, ziede (smērviela) var radīt blīvju bojājumus, kā arī noplūdi.

1. Noņemiet ziedes (smērvielas) aizgriežņus.
2. Pievienojiet ziedu (smērvielu) augšējā atverē.



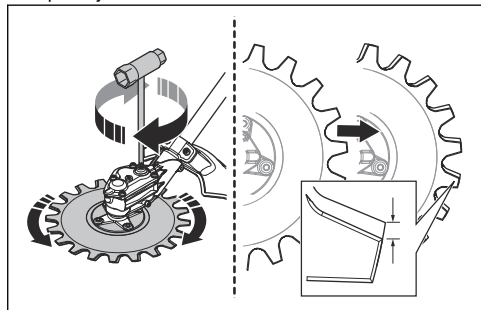
3. Uzstādiet ziedes (smērvielas) aizgriežņus.

Asmeņu asināšana

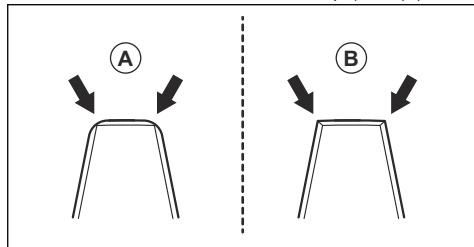


BRĪDINĀJUMS: Turot asmeņus, nēsājiet aizsargcimdus.

1. Ievietojiet kombinēto uzgriežņu atslēgu pārnēsūmkārbas (reduktora) kartera līgzdā.
2. Grieziet kombinēto uzgriežņu atslēgu, līdz rodas 3 mm/0,12 collu atstarpe starp augšējo asmeni un apakšējo asmeni.

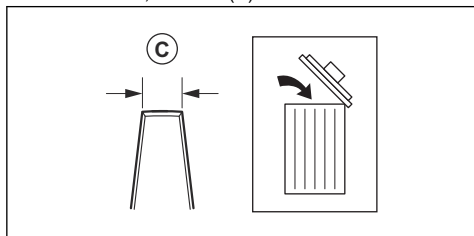


3. Uzasiniet malas (B), kam varat pieklūt, ar slīpripu. Pārliecinieties, vai malas netiek noapaļotas (A).



4. Grieziet kombinēto uzgriežņu atslēgu pretējā virzienā, lai pieklūtu pretējām malām.
5. Uzasiniet malas, kam varat pieklūt, ar slīpripu.

6. Nomainiet asmeņus, kad zobu platums ir mazāks nekā 8 mm/0,32 collas (C).



Asmeņu maiņa



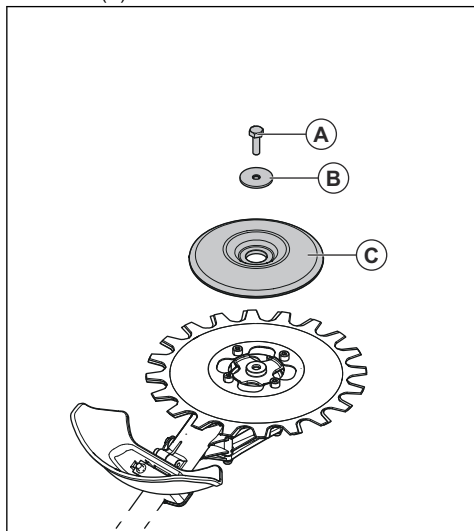
BRĪDINĀJUMS: Turot asmeņus, nēsājiet aizsargcimdus.



BRĪDINĀJUMS: Lai novērstu nelīdzsvarotību un vibrācijas izstrādājumā, tīriet griešanas ierīci, kad maināt asmeņus.

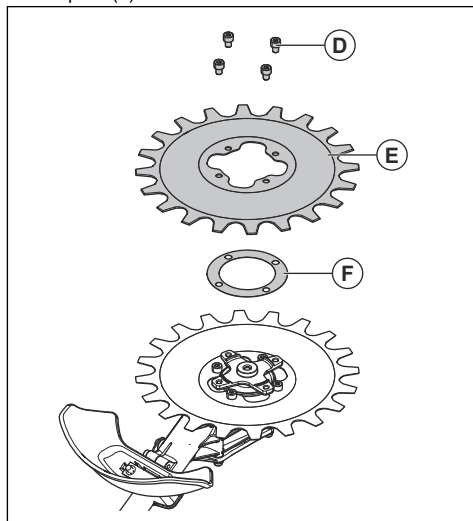
Piezīme: Asmeņi ir savstarpēji maināmi.

1. Noņemiet centra skrūvi (A), paplāksni (B) un atbalsta cilindru (C).

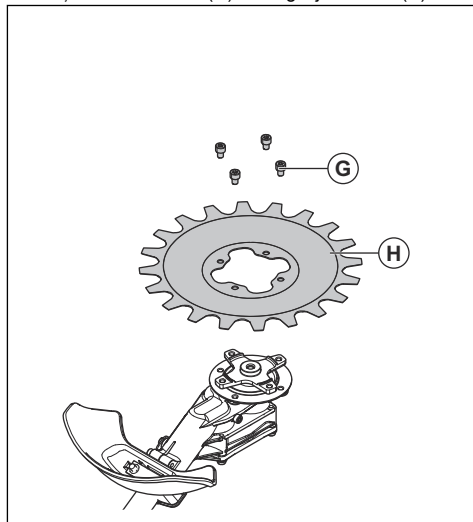


Piezīme: Centra skrūvei ir kreisās puses vītne

2. Noņemiet 4 skrūves (D), apakšējo asmeni (E) un starpliku (F).



3. Noņemiet 4 skrūves (G) un augšējo asmeni (H).



4. Uzstādiet asmeņus pretējā secībā. Uzstādot asmeņus, pievelciet skrūves ar vienādu spēku.

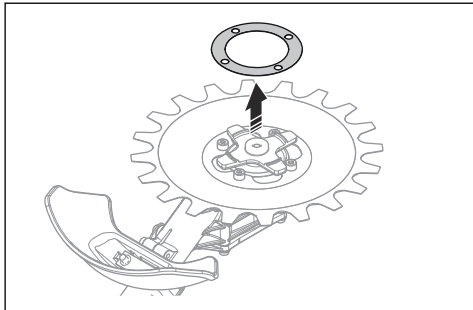
Atstarpes starp asmeņiem regulēšana



BRĪDINĀJUMS: Turot asmeņus, nēsājiet aizsargcimdus.

1. Noņemiet apakšējo asmeni, sk. *Asmeņu maiņa lpp. 175.*

2. Noņemiet starpliku.



Piezīme: Saglabājiet starpliku līdz laikam, kad ir jāmaina asmeņi.

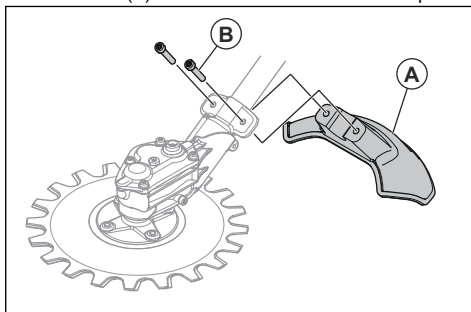
3. Uzstādiēt apakšējo asmeni. Uzstādot asmeņus, pievelciet skrūves ar vienādu spēku.

Griešanas ierīces aizsarga nomaiņa



BRĪDINĀJUMS: Veicot asmeņu apkopi, nēsājiet aizsargcimdus

- Noņemiet 2 skrūves (B) un griešanas ierīces aizsargu (A).
- Uzstādiēt jauno griešanas ierīces aizsargu (A) ar 2 skrūvēm (B). Pievelciet skrūves ar vienādu spēku.



Pārvadāšana, glabāšana un utilizēšana

Transportēšana un uzglabāšana

- Pārliecinieties, vai transportēšanas aizsargs ir pievienots griešanas ierīcei pareizi, kad izstrādājums netiek lietots, tiek transportēts vai ir novietots glabāšanai.
- Glabājiet griešanas ierīci norobežotā vietā, lai novērstu to, ka tai var piekļūt bērni vai personas, kam tas nav atļauts.

- Transportēšanas laikā nostipriniet griešanas ierīci droši, lai nepieļautu bojājumus vai negadījumus.
- Pārliecinieties, vai griešanas ierīce ir tīra un vai ir veikta pilna apkope, pirms to novietojat ilgstošai glabāšanai.

Tehniskie dati

Tehniskie dati

RA850	
Svars	
Svars, kg	2,5
Trokšņa emisija⁴⁰	
Skaņas jaudas līmenis, izmērītais dB(A)	102

⁴⁰ Atbilstoši EK direktīvai 2000/14/EK trokšņa emisija apkārtņē ir mērīta kā skaņas jauda (L_{WA}). Ierīces novērotais skaņas intensitātes līmenis ir izmērīts ar pievienotu oriģinālo griešanas ierīci, kas rada augstāko līmeni. Atšķirība starp garantēto un izmērīto skaņas jaudas līmeni ir tāda, ka garantētā skaņas intensitātes līmeņa mērījumu rezultāts ietver arī izkliedi mērījuma rezultātā un atšķirības dažādām tā paša modeļa ierīcēm atbilstoši direktīvai 2000/14/EK.

RA850	
Skaņas jaudas līmenis, garantētais L_{WA} , dB (A)	105
Trokšņu līmeņi⁴¹	
Ekvivalents skaņas spiediena līmenis pie operatora auss, mērīts atbilstoši standartam EN ISO 11806-1 un EN ISO 22868 (dB(A))	
Aprīkots ar apstiprinātu piederumu (oriģināls)	90
Vibrācijas līmeņi⁴²	
Ekvivalenti vibrāciju līmeņi ($a_{Hv,eq}$) pie rokturiem, mērīti atbilstoši standartiem EN ISO 11806-1 un ISO 22867, m/s^2	
Aprīkots ar apstiprinātu piederumu (oriģināls), pa kreisi/pa labi	3.9/4.8
Asmeņi	
Diametrs, mm	230
Nažu ātrums, griešana/min.	4600

⁴¹ Sniegtajos datos par ekvivalenta skaņas spiediena līmeni ierīcei ir tipiska statistiskā 1 dB(A) izkliede (standarta novirze).

⁴² Sniegtajos datos par ekvivalentu vibrācijas līmeni ir tipiska 1 m/s^2 statistiskā izkliede (standarta novirze).

EK atbilstības deklarācija

EK atbilstības deklarācija

Husqvarna AB, SE-561 82 Huskvarna, Zviedrija, tālr. nr.:
+46-36-146500 apliecina, ka reciprocator attachment

Husqvarna RA850 ar sērijas numuriem no 2019 uz priekšu (gada un nedēļas skaitlis, kam seko sērijas numurs, ir skaidri norādīts uz datu plāksnītes), atbilst prasībām, kas noteiktas šajā PADOMES DIREKTĪVĀ:

- 2006. gada 17. maijs, Direktīva **2006/42/EK**, "par mašīnu tehniku".
- 2011. gada 8. jūnija Direktīva **2011/65/ES** par dažu bīstamu vielu izmantošanas ierobežošanu elektriskās un elektroniskās iekārtās.
- 2000. gada 8. maija direktīva **2000/14/EK** "par trokšņa emisiju vidē". Atbilstības novērtējums saskaņā ar V pielikumu. Informāciju par trokšņa emisiju skatiet sadaļā Tehniskie dati.

Ir piemēroti šādi standarti:

EN ISO 11806-1:2011, EN 50581:2012

RISE SMP Svensk Maskinprovning AB, Box 7035,
SE-750 07 Uppsala, Sweden ir veicis brīvprātīgu
apstiprināšanu uzņēmumam Husqvarna AB.

Sertifikātiem ir šādi numuri: **SEC/19/2528**

Huskvarna, 2019-03-11



Pērs Gustavsons (Per Gustafsson), izstrādes nodaļas
vadītājs (pilnvarotais Husqvarna AB pārstāvis, kas atbild
par tehnisko dokumentāciju)

Inhoud

Inleiding.....	179	Onderhoud.....	186
Veiligheid.....	181	Vervoer, opslag en verwerking.....	189
Werking.....	185	Technische gegevens.....	189
Montage.....	186	EG-conformiteitsverklaring.....	191

Inleiding

Gebruik



WAARSCHUWING: De snijuitrusting mag alleen samen met compatibele producten worden gebruikt. Raadpleeg de bedieningshandleiding van het product.

De snijuitrusting wordt gebruikt om gras te maaien en taken te snoeien.

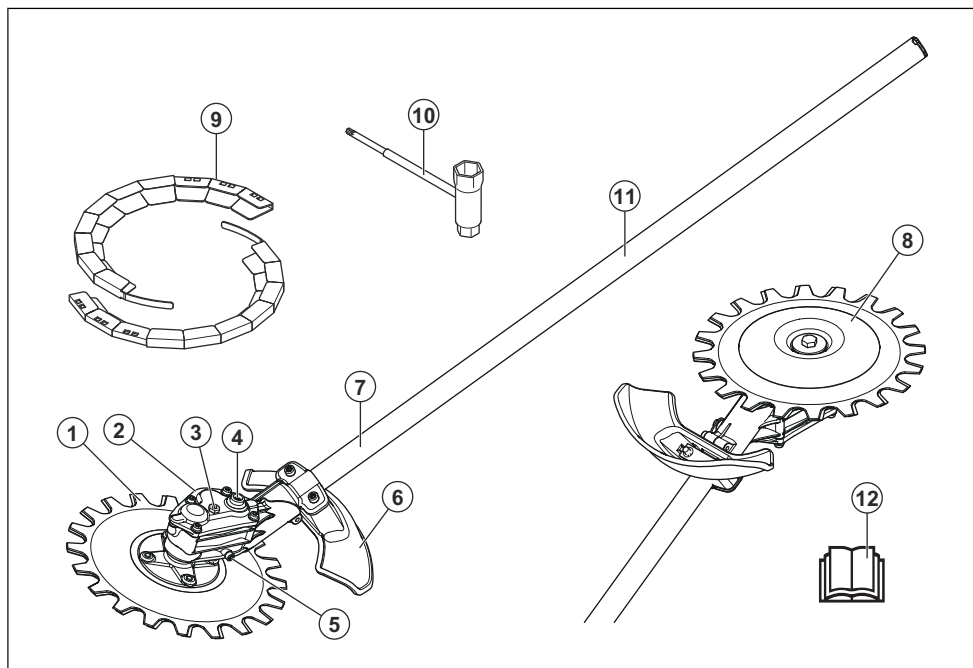
Let op: Nationale wetgeving kan het gebruik van dit product mogelijk beperken.

Productbeschrijving

Husqvarna AB werkt voortdurend aan het verder ontwikkelen van haar producten en behoudt zich dan ook het recht voor om zonder aankondiging vooraf wijzigingen in o.a. vorm en uiterlijk door te voeren.

Let op: Deze handleiding heeft betrekking op zowel benzine- als accu-aangedreven voedingseenheden.

Overzicht snijuitrusting



1. Mes
2. Tandwielhuis
3. Bovenste smeerpug
4. Element om de messen handmatig te bewegen
5. Onderste smeerpug
6. Beschermkap voor snijuitrusting

7. Steel
8. Steunkop
9. Transportbescherming
10. Ring-steeksleutel
11. Informatie- en waarschuwingsplaatje
12. Bedieningshandleiding



De gebruiker dient ervoor te zorgen dat geen mensen of dieren dichterbij komen dan 15 meter. Indien meerdere gebruikers werken in hetzelfde werkgebied, is de onderlinge veiligheidsafstand min. 15 meter. Het opzetstuk kan voorwerpen met geweld wegslingeren, die terug kunnen kaatsen. Dit kan leiden tot ernstig oogletsel, als de aanbevolen veiligheidsuitrusting niet wordt gebruikt.



Onachtzaam of onjuist gebruik van dit opzetstuk kan ernstig of dodelijk letsel aan de gebruiker of anderen toebrengen.



Lees de bedieningshandleiding zorgvuldig door en zorg dat u de instructies hebt begrepen voordat u het opzetstuk gaat gebruiken.



Gebruik een veiligheidshelm op locaties waar objecten op u kunnen vallen. Gebruik goedgekeurde gehoorbescherming. Gebruik goedgekeurde oogbescherming.



Gebruik altijd goedgekeurde veiligheidshandschoenen.



Gebruik stevige antisliplaarzen.



Maximaal aantal sneden per minuut.



De pijlen geven de limieten van de positie van de hendel weer.



Het gebruik van het product kan tot rondvliegende voorwerpen leiden, waardoor letsel kan ontstaan.



Houd personen en dieren op een minimale afstand van 15 m (50 ft) tijdens het gebruik van dit product.



Geluidsemissie naar de omgeving volgens de richtlijn van de Europese Gemeenschap. De emissie van het opzetstuk staat vermeld in het hoofdstuk *Technische gegevens op pagina 189* en op het label.



Dit opzetstuk voldoet aan de geldende EG-richtlijnen.



Het product voldoet aan de geldende EAC-richtlijnen.



Het product voldoet aan de geldende Oekraïense richtlijnen.



Het apparaat voldoet aan de geldende Australische en Nieuw-Zeelandse richtlijnen inzake elektromagnetische compatibiliteit.

yyyywwxxxx

Het label met het serienummer toont het serienummer. **IIII** is het productiejaar en **ww** is de productieweek.

Let op: Overige op het opzetstuk aangegeven symbolen/plaatjes verwijzen naar specifieke eisen aan certificering voor bepaalde markten.

EU V



WAARSCHUWING: De EU-typegoedkeuring van dit product vervalt als ongeoorloofde wijzigingen aan de motor aangebracht worden.

BELANGRIJKE VEILIGHEIDSinSTR UCTIES

Veiligheidsdefinities

Waarschuwingen, voorzorgsmaatregelen en opmerkingen worden gebruikt om te wijzen op belangrijke delen van de gebruikershandleiding.



WAARSCHUWING: Wordt gebruikt om te wijzen op de kans op ernstig of fataal letsel voor de gebruiker of omstanders wanneer de instructies in de handleiding niet worden gevolgd.



OPGELET: Wordt gebruikt indien er een risico bestaat op schade aan het product en/of het hulpstuk, andere materialen of aan de omgeving wanneer de instructies in de handleiding niet worden gevolgd.

Let op: Geven verdere informatie die nodig is in een bepaalde situatie.

Lees alle instructies



WAARSCHUWING: Bij het gebruik van elektrisch tuingereedschap dienen de basisveiligheidsinstructies altijd te worden opgevolgd om het risico op brand, elektrische schokken en persoonlijk letsel te beperken:

Algemene veiligheidsinstructies



WAARSCHUWING: Lees de volgende veiligheidsinstructies voordat u het opzetstuk gebruikt.

- Lees de gebruikershandleiding zorgvuldig door en zorg dat u de instructies hebt begrepen voordat u het opzetstuk gebruikt.
- Deze instructies vormen een aanvulling op de instructies die bij het product zijn geleverd. Raadpleeg de bedieningsinstructies van het product voor andere procedures.
- De oorspronkelijke vormgeving van het opzetstuk mag in geen enkel geval gewijzigd worden zonder toestemming van de fabrikant. Gebruik nooit een opzetstuk dat gewijzigd lijkt te zijn door anderen, en gebruik altijd originele accessoires. Niet

goedgekeurde wijzigingen en/of niet-originele onderdelen kunnen tot ernstig persoonlijk letsel of de dood van zowel gebruiker als omstanders leiden.

- Als men teveel wordt blootgesteld aan trillingen, kan dit tot bloedvat- en zenuwbeschadigingen leiden bij personen die een slechte bloedsomloop hebben. Consulteer uw dokter wanneer u symptomen heeft die wijzen op te grote blootstelling aan trillingen. Dergelijke symptomen zijn o.a. een doof gevoel, gevoelloosheid, tintelingen, een prikkelend gevoel, pijn, krachtverlies, veranderingen van huidskleur of conditie van de huid. Deze symptomen komen meestal voor op vingers, handen of polsen. Deze symptomen kunnen toenemen bij koude temperaturen.

Veiligheidsinstructies voor bediening



WAARSCHUWING: Lees de volgende waarschuwingen voordat u het product gaat gebruiken.

- Gebruik het product uitsluitend voor de werkzaamheden die in deze handleiding worden genoemd. Zie *Gebruik op pagina 179*.
- Gebruik het product niet als u niet zeker weet of u het kunt bedienen.
- Gebruik dit product nooit als u moe of ziek bent of als u alcohol, drugs of medicijnen hebt gebruikt. Dit kan uw zicht, beoordelingsvermogen en coördinatie verminderen.
- Gebruik het product niet als u geen hulp kunt krijgen indien zich een ongeval voordoet.
- Gebruik het product niet als er tekenen van schade zijn.
- Zorg ervoor dat de snijuitrusting altijd stopt wanneer de motor stationair draait.
- Zorg ervoor dat tijdens het maaien/snoeien niemand dichterbij komt dan 15 m. Zorg ervoor dat er alleen goedgekeurde personen in het werkgebied zijn.
- Laat het product niet door kinderen bedienen; houd het buiten hun bereik.
- Zorg dat het werkgebied schoon en goed verlicht is. Gebruik het product nooit bij slecht weer, zoals mist, zware regen, krachtige wind, strenge kou en bij kans op onweer.
- Als er tijdens bedrijf iets tussen de messen vast komt te zitten, zet dan de motor uit en wacht tot de messen niet meer bewegen. Verwijder de bougiekap van de bougie/verwijder de accu. Plaats de combinatiesleutel in het element van het tandwielhuis om de messen te bewegen, raadpleeg *De messen slijpen op pagina 187*.
- Als de messen tijdens bedrijf beschadigd raken, kunnen het bovenste mes en het onderste mes in

elkaar grijpen. Raak de messen niet aan, ze kunnen plotseling bewegen en letsel veroorzaken.

- Zorg ervoor dat u stabiel en veilig staat tijdens het gebruik.
- Het product kan objecten met hoge snelheid uitwerpen. Zorg ervoor dat alle personen in de werkomgeving gebruikmaken van goedgekeurde persoonlijke beschermingsmiddelen. Verwijder losse voorwerpen uit het werkgebied.
- Houd het werkgebied in de gaten wanneer u gehoorbescherming draagt. Doe uw gehoorbescherming altijd af wanneer de motor stopt.
- Als het product ongewoon trilt, stop dan de motor. Als u een product hebt dat op benzine werkt, verwijdert u de bougiekap van de bougie. Als u een product hebt dat op een accu werkt, verwijdert u de accu. Achterhaal onmiddellijk de oorzaak. Trilling is over het algemeen een voorteken van schade.
- Blijf in de buurt van het product wanneer de motor is ingeschakeld.
- Houd het apparaat met beide handen vast. Houd het apparaat rechts van uw lichaam. Bedien het product zodanig dat de snijuitrusting zich onder uw middel bevindt.



- De snijuitrusting moet van de gebruiker weg gericht zijn. Maaien/snoeien in de richting van de gebruiker kan ernstig letsel veroorzaken.
- Zorg dat uw handen en voeten niet vlak bij de messen komen wanneer de motor draait.

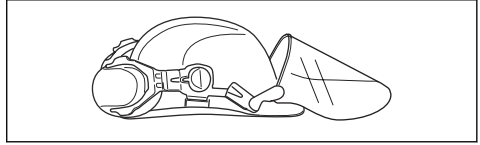
Persoonlijke beschermingsuitrusting



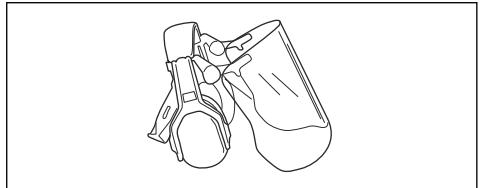
WAARSCHUWING: Lees de volgende waarschuwingen voordat u het product gaat gebruiken.

- Draag tijdens het gebruik van het product altijd goedgekeurde persoonlijke beschermingsuitrusting. Persoonlijke beschermingsuitrusting kunnen niet alle risico's uitsluiten maar kunnen de ernst van eventueel letsel helpen beperken. Vraag uw dealer te helpen bij het kiezen van de juiste beschermingsmiddelen.

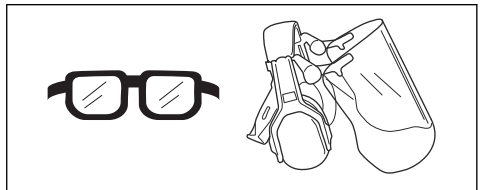
- Gebruik een veiligheidshelm bij kans op vallende voorwerpen.



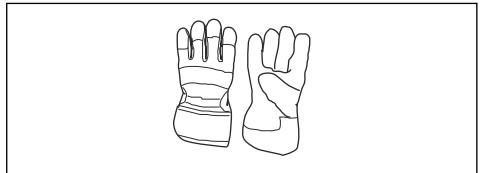
- Langdurige blootstelling aan lawaai kan leiden tot permanente gehoorbeschadiging. Over het algemeen zijn accu-aangedreven producten relatief stil, maar schade kan voortvloeien uit een combinatie van geluidsniveau en lang gebruik. Husqvarna raadt aan dat gebruikers gebruik maken van gehoorbescherming wanneer producten gedurende een groot deel van de dag worden gebruikt. Bij continu en regelmatig gebruik dienen gebruikers hun gehoor regelmatig te laten controleren. Let op: gehoorbescherming beperkt de mogelijkheid om geluiden en waarschuwingssignalen te horen.



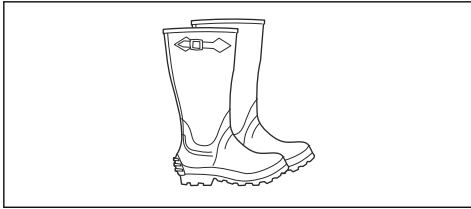
- Gebruik goedgekeurde oogbescherming. Als u een vizier gebruikt, moet u ook een goedgekeurde veiligheidsbril gebruiken. Een goedgekeurde veiligheidsbril moet voldoen aan de norm ANSI Z87.1 voor de VS of EN 166 voor de EU-landen.



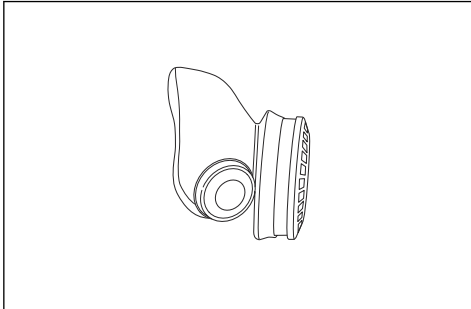
- Draag indien nodig handschoenen, bijvoorbeeld bij het inspecteren of reinigen van het product.



- Gebruik beschermende laarzen of schoenen met antislipzolen.



- Gebruik kleding van stevige stof. Gebruik altijd een zware lange broek en lange mouwen. Gebruik geen loszittende kleding die gemakkelijk kan blijven haken aan takjes en struikgewas. Draag geen sieraden, korte broek of open schoenen en loop niet op blote voeten. Bind voor de veiligheid lang haar samen tot boven schouderhoogte.
- Gebruik ademhalingsbescherming wanneer het risico van het vrijkomen van stof bestaat.



- Houd een EHBO-does binnen handbereik.



Veiligheidsvoorzieningen op het opzetstuk



WAARSCHUWING: Lees de volgende waarschuwingen voordat u het opzetstuk gebruikt.

In dit hoofdstuk worden de veiligheidsfuncties van het opzetstuk beschreven, welke functie ze hebben en hoe controles en onderhoud moeten worden uitgevoerd om hun goede werking te waarborgen. Zie de instructies onder het kopje *Overzicht snijuitrusting op pagina 179* om te zien waar deze onderdelen zich bevinden op uw opzetstuk.

De levensduur van het opzetstuk kan worden verkort en het risico op ongevallen kan toenemen wanneer het

onderhoud van het opzetstuk niet op de juiste manier plaatsvindt, en wanneer service en/of reparaties niet vakkundig worden uitgevoerd. Indien u meer informatie nodig hebt, verzoeken wij u contact op te nemen met de dichtstbijzijnde onderhoudsdealer.



WAARSCHUWING: Gebruik een opzetstuk nooit wanneer de veiligheidsvoorzieningen defect zijn. De veiligheidsuitrusting van het opzetstuk moet geïnspecteerd en onderhouden worden zoals beschreven in dit hoofdstuk. Als uw opzetstuk een van deze controles niet doorstaat, moet u contact opnemen met uw servicewerkplaats om uw unit te laten repareren.



WAARSCHUWING: Om service en reparaties aan het product uit te voeren, moet u een speciale opleiding hebben. Dit geldt met name voor de veiligheidsuitrusting van het product. Als uw product een van de volgende controles niet goed doorstaat, moet u ermee naar uw servicewerkplaats gaan. Als u één van onze producten koopt, garandeert dit dat de reparaties en service door een vakman kunnen worden uitgevoerd. Als u uw product hebt gekocht bij één van onze dealers die geen servicewerkplaats heeft, vraag dan waar de dichtstbijzijnde erkende werkplaats is.

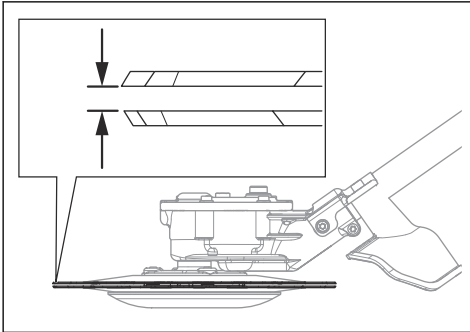
De snijuitrusting en de beschermkap van de snijuitrusting controleren



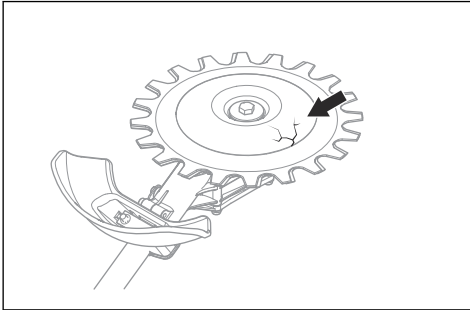
WAARSCHUWING: Gebruik geen snijuitrusting zonder een goedgekeurde beschermkap. Indien een verkeerde of defecte beschermkap van de snijuitrusting wordt gemonteerd, kan dit letsel veroorzaken.

1. Stop de motor en zorg ervoor dat de snijuitrusting stopt.
2. Als u een product hebt dat op benzine werkt, verwijdert u de bougiekap van de bougie. Als u een product hebt dat op een accu werkt, verwijdert u de accu uit het product.
3. Draag veiligheidshandschoenen.
4. Controleer of de messen niet zijn beschadigd. Vervang de messen wanneer ze beschadigd zijn. Zie *Messen vervangen op pagina 188*.

5. Controleer de bladen. Zorg ervoor dat er geen sprake is van speling tussen de messen. Als er speling bestaat tussen de messen, dan moeten de messen worden afgesteld. Zie *De speling tussen de messen afstellen op pagina 188*.

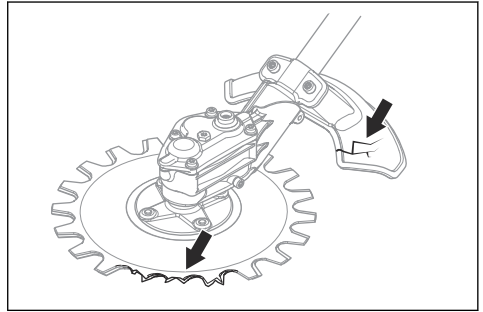


6. Zorg ervoor dat de steunkop niet beschadigd is. Vervang de steunkop als deze beschadigd is.



7. Zorg ervoor dat de schroeven op de snijuitrusting zijn vastgedraaid.

8. Zorg ervoor dat de messen en de beschermkap van de snijuitrusting niet beschadigd zijn. Vervang beschadigde onderdelen.



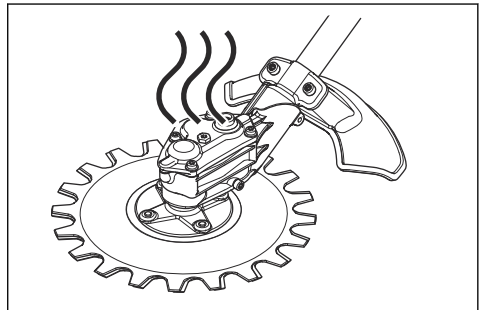
Veiligheidsinstructies voor onderhoud



WAARSCHUWING: De snijuitrusting kan blijven draaien nadat de gashendel/voedingsschakelaar is losgelaten. Als u een product hebt dat op benzine werkt, verwijdert u de bougiekap van de bougie. Als u een product hebt dat op een accu werkt, verwijdert u de accu uit het product. Zorg ervoor dat de snijuitrusting volledig tot stilstand is gekomen voordat u onderhoud uitvoert.



WAARSCHUWING: Het tandwielhuis wordt heet tijdens het gebruik van het product. Hete oppervlakken kunnen brandwonden veroorzaken, raak het tandwielhuis niet aan.



- Gebruik altijd handschoenen voor zwaar gebruik wanneer u de snijuitrusting repareert. De snijuitrusting is zeer scherp en kan eenvoudig snijwonden veroorzaken.

- Gebruik bij reparatie alleen originele reserveonderdelen.

BEWAAR DEZE INSTRUCTIES

Werking

De werktechniek



WAARSCHUWING: Takken of gras kunnen vast komen te zitten tussen de beschermkap van de snijuitrusting en de snijuitrusting. Schakel altijd de motor uit voordat u de snijuitrusting reinigt.

- Gebruik volgas tijdens het zagen en breng het toerental terug naar stationair na elke zaagsnede.

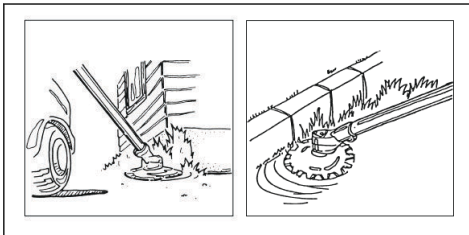


OPGELET: De motor kan beschadigd raken als hij te lang op vol vermogen draait bij nullast.

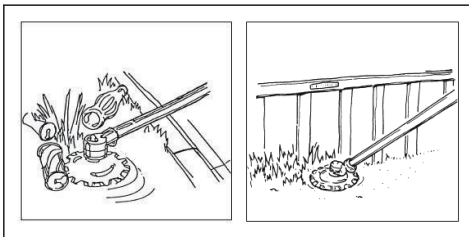
Aanbevolen gebruik voor de snijuitrusting

De messen van de snijuitrusting bewegen in een kleine hoek en kunnen in alle richtingen snijden. Beweeg de snijuitrusting zo hoog boven de grond dat de steunkop de grond raakt. Gebruik de snijuitrusting om het volgende te maaien/snoeien:

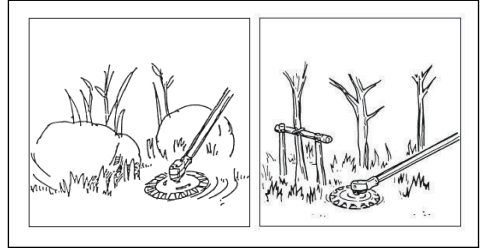
- Parkeerplaatsen en langs de kant van de weg.



- Naast de weg en in de buurt van hekken.



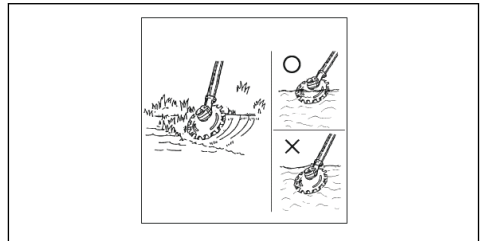
- Rond stenen en bomen.



- In de buurt van water.



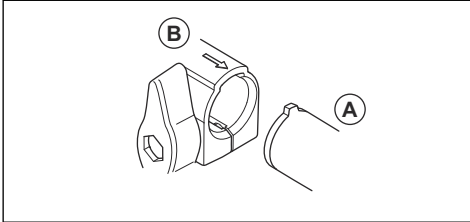
OPGELET: Plaats het tandwielhuis niet in het water.



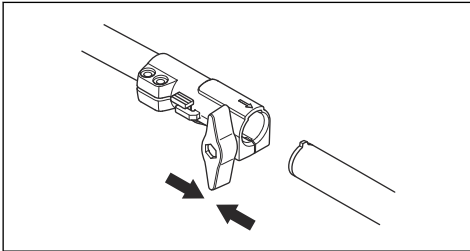
Montage

De deelbare steel monteren

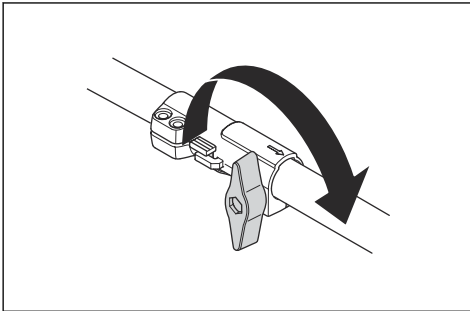
1. Draai aan de knop om de koppeling los te maken.
2. Lijn de nok op de snijuitrusting (A) uit met de pijl op de koppeling (B).



3. Duw de steel voorzichtig in de koppeling tot u een klik hoort.

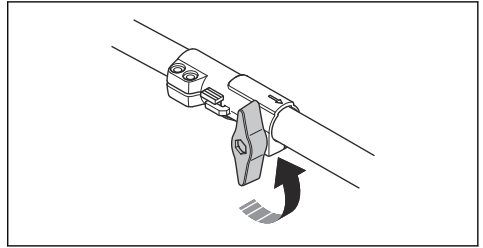


4. Draai de knop volledig vast.

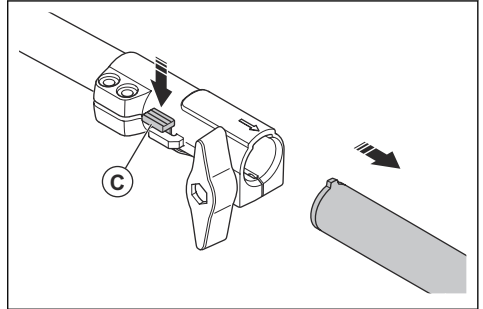


Deelbare steel demonteren

1. Draai de knop 3 slagen of meer om de koppeling los te maken.



2. Druk de knop (C) in en houd deze ingedrukt.
3. Houd deze stevig vast aan het uiteinde van de steel waarop de motor is bevestigd.
4. Trek het hulpstuk in een rechte lijn uit de koppeling.



Onderhoud

Inleiding

Hieronder worden algemene onderhoudsvorschriften opgesomd. Neem contact op met uw dealer indien u meer informatie behoeft.

Onderhoudsschema

Hieronder volgt een lijst van het onderhoud dat aan de snijuitrusting moet worden uitgevoerd.

Let op: De gebruiker mag alleen de onderhouds- en servicewerkzaamheden aan de snijuitrusting uitvoeren die in deze bedieningshandleiding zijn beschreven. Andere onderhouds- en servicewerkzaamheden moeten worden uitgevoerd door een erkende servicewerkplaats.

Onderhoud	Elke dag	Wekelijks	Maandelijks
Reinig de externe onderdelen van het product.	X		
Controleer of de messen niet zijn beschadigd. Vervang de messen wanneer ze beschadigd zijn.	X		
Controleer of de beschermkap voor snijuitrusting niet is beschadigd. Vervang de beschermkap van de snijuitrusting als deze is beschadigd.	X		
Zorg ervoor dat de steunkop niet beschadigd is. Vervang de steunkop als deze beschadigd is.	X		
Controleer of de schroeven en moeren goed zijn vastgedraaid.	X		
Vul het tandwielhuis ca. elke 100 werkuren met vet.		X	

De messen reinigen en smeren

1. Verwijder ongewenste materialen van de bladen voor en nadat u het product gebruikt.
2. Smeer de bladen voorafgaand aan langdurige opslag.

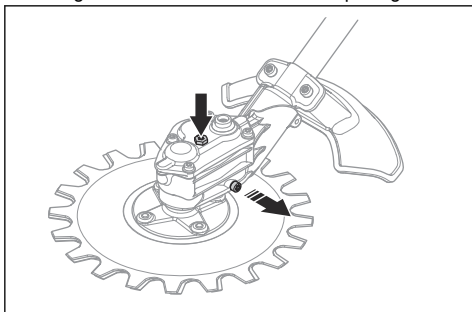
Let op: Neem voor meer informatie over aanbevolen reinigings- en smeermiddelen contact op met uw servicedealer.

Voor het smeren van het tandwielhuis



OPGELET: Vul het tandwielhuis niet volledig. Als de tandwielkast vol is, kan het vet de afdichtingen beschadigen en lekkage veroorzaken.

1. Verwijder de smerpluggen.
2. Breng smeervet aan in de bovenste opening.



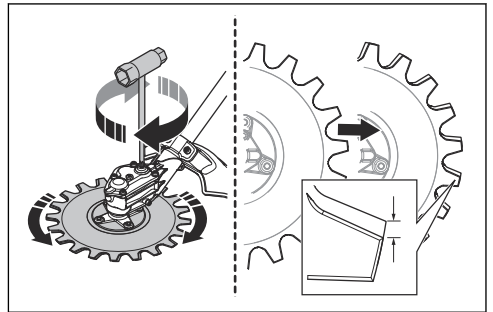
3. Breng de smerpluggen aan.

De messen slijpen

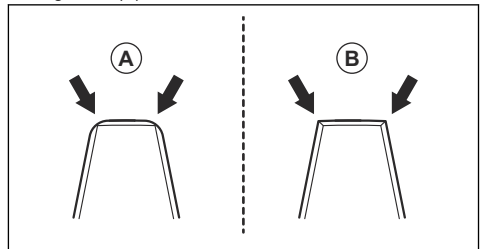


WAARSCHUWING: Draag veiligheidshandschoenen wanneer u de messen hanteert.

1. Plaats de combinatiesleutel in het element in de tandwielkast.
2. Draai de combinatiesleutel totdat er een verschil is van 3 mm tussen het bovenste mes en het onderste mes.

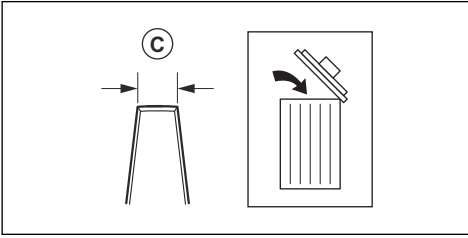


3. Slijp de randen (B) die u kunt bereiken met een slijpmachine. Zorg ervoor dat de randen niet worden afgerond (A).



4. Draai de combinatiesleutel in de tegenovergestelde richting om toegang te krijgen tot de tegenoverliggende randen.
5. Slijp de randen die u kunt bereiken met een slijpmachine.

6. Vervang de messen als de breedte van de tand minder is dan 8 mm. (C).



Messen vervangen



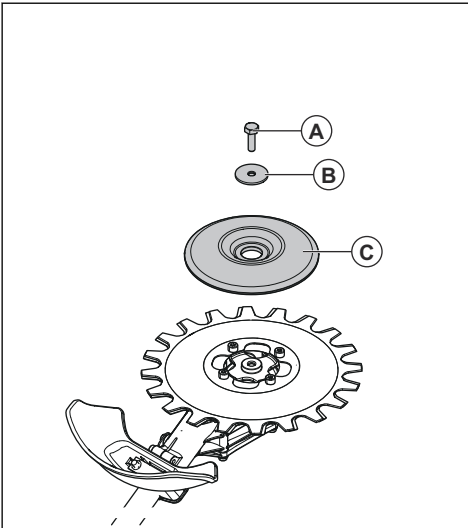
WAARSCHUWING: Draag veiligheidshandschoenen wanneer u de messen hanteert.



WAARSCHUWING: Om onbalans en trillingen in het product te voorkomen, dient u de snijuitrusting te reinigen als u de messen vervangt.

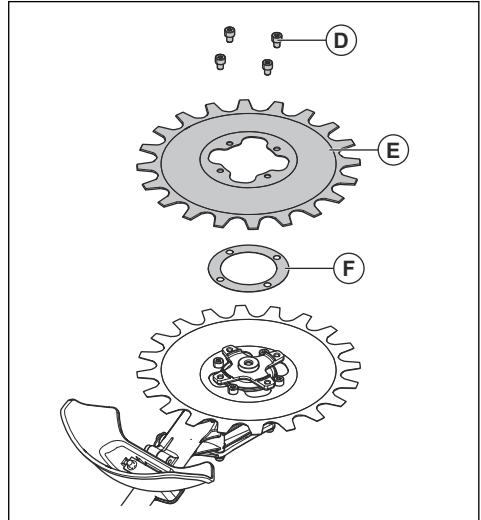
Let op: De messen zijn onderling verwisselbaar.

1. Verwijder de middelste schroef (A), de ring (B) en de steunkop (C).

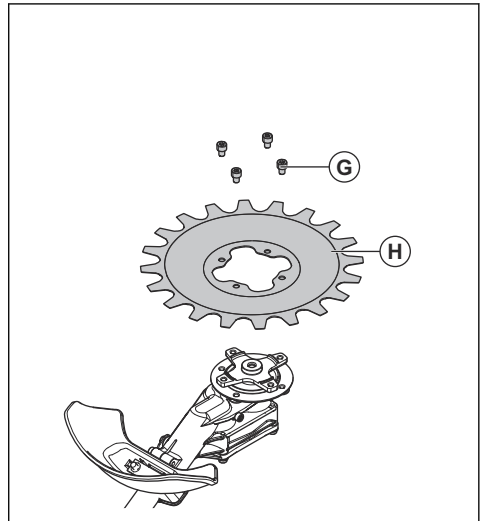


Let op: De middelste schroef heeft een linkse schroefdraad

2. Verwijder de 4 schroeven (D), het onderste mes (E) en het vulplaatje (F).



3. Verwijder de 4 schroeven (G) en het bovenste mes (H).



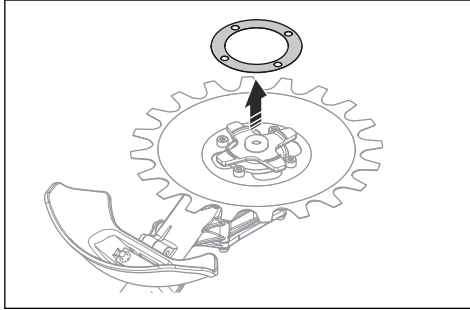
4. Breng de messen in omgekeerde volgorde aan. Draai de schroeven gelijkmatig vast wanneer u de messen aanbrengt.

De speling tussen de messen afstellen



WAARSCHUWING: Draag veiligheidshandschoenen wanneer u de messen hanteert.

1. Verwijder het onderste mes, raadpleeg *Messen vervangen op pagina 188*.
2. Verwijder het vulplaatje.



Let op: Bewaar het vulplaatje tot het tijd is om de messen te vervangen.

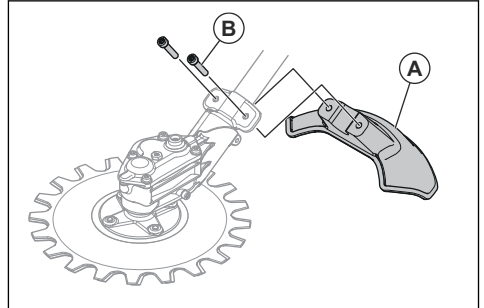
3. Breng het onderste mes aan. Draai de schroeven gelijkmatig vast wanneer u de messen aanbrengt.

De bescherming van de snijuitrusting vervangen



WAARSCHUWING: Draag veiligheidshandschoenen wanneer u de messen hanteert

- Verwijder de 2 schroeven (B) en de beschermkap (A) van de snijuitrusting.
- Monteer de nieuwe beschermkap (A) van de snijuitrusting met de 2 schroeven (B). Draai de schroeven gelijkmatig vast.



Vervoer, opslag en verwerking

Transport en opbergen

- Zorg ervoor dat de transportbescherming correct aan de snijuitrusting is bevestigd wanneer het product niet in gebruik is, wordt vervoerd of is opgeborgen.
- Bewaar de snijuitrusting in een afgesloten ruimte om toegang door kinderen of onbevoegde personen te verhinderen.

- Bevestig de snijuitrusting stevig tijdens het transport om schade en ongevallen te voorkomen.
- Zorg ervoor dat de snijuitrusting schoon is en dat er onderhoud wordt uitgevoerd voordat de snijuitrusting lange tijd wordt opgeslagen.

Technische gegevens

Technische gegevens

RA850	
Gewicht	
Gewicht, kg	2,5
Geluidsemissies⁴³	

⁴³ Geluidsemissie naar de omgeving gemeten als geluidsvermogen (L_{WA}) volgens EG-richtlijn 2000/14/EG. Het gerapporteerde geluidsvermogeniveau voor de machine is gemeten met de originele snijuitrusting die het hoogste niveau geeft. Het verschil tussen gegarandeerd en gemeten geluidsvermogen is dat het gegarandeerde geluidsvermogen ook spreiding in het meetresultaat omvat en de verschillen tussen de verschillende machines van hetzelfde model conform Richtlijn 2000/14/EG.

RA850	
Geluidsvermogenniveau, gemeten dB(A)	102
Geluidsvermogenniveau, gegarandeerd L_{WA} , dB(A)	105
Geluidsniveaus⁴⁴	
Equivalent geluidsdruk niveau op oorhoogte van de gebruiker, gemeten in overeenstemming met EN ISO 11806-1 en EN ISO 22868, dB(A)	
Uitgerust met goedgekeurde accessoire (origineel)	90
Trillingsniveau⁴⁵	
Equivalent trillingsniveaus ($a_{hv,eq}$) aan de handgrepen, gemeten in overeenstemming met EN ISO 11806-1 en ISO 22867, m/s^2	
Uitgerust met goedgekeurde accessoire (origineel), links/rechts	3,9/4,8
Messen	
Diameter, mm	230
Messnelheid, knippen/min	4600

⁴⁴ De gerapporteerde gegevens voor een vergelijkbaar geluidsdruk niveau voor de machine vertonen een typische statistische spreiding (standaardafwijking) van 1 dB(A).

⁴⁵ De gerapporteerde gegevens voor een vergelijkbaar trillingsniveau vertonen een typische statistische spreiding (standaardafwijking) van 1 m/s^2 .

EG-conformiteitsverklaring

EG verklaring van overeenstemming

Husqvarna AB, SE-561 82 Huskvarna, Zweden, tel.: +46-36-146500, verklaart dat de reciprocator attachment **Husqvarna RA850** met serienummers van 2019 en later (het jaar staat duidelijk op het productplaatje vermeld, gevolgd door het serienummer) voldoet aan de eisen die zijn opgenomen in de RICHTLIJNEN VAN DE RAAD:

- van 17 mei 2006 "met betrekking tot machines" **2006/42/EG**.
- van 8 juni 2011 "inzake beperking van het gebruik van bepaalde gevaarlijke stoffen in elektrische en elektronische apparatuur" **2011/65/EU**.
- van 8 mei 2000 "met betrekking tot geluidsemissies in het milieu" **2000/14/EG**. Conformiteitsbeoordeling volgens bijlage V. Raadpleeg voor informatie betreffende geluidsemissie de sectie met technische gegevens.

De volgende normen zijn van toepassing:

EN ISO 11806-1:2011, EN 50581:2012

RISE SMP Svensk Maskinprovning AB, Box 7035, SE-750 07 Uppsala, Sweden heeft een vrijwillig typeonderzoek uitgevoerd ten behoeve van Husqvarna AB. De certificaten hebben nummer: **SEC/19/2528**

Huskvarna, 2019-03-11



Per Gustafsson, Hoofd Ontwikkeling (gemachtigde vertegenwoordiger voor Husqvarna AB en verantwoordelijk voor technische documentatie)

INNHold

Innledning.....	192	Vedlikehold.....	199
Sikkerhet.....	194	Transport, oppbevaring og avhending.....	201
Bruk.....	197	Tekniske data.....	202
Montering.....	198	EF-samsvarserklæring.....	203

Innledning

Bruksområder



ADVARSEL: Skjæreutstyret skal bare brukes sammen med kompatible produkter. Se bruksanvisningen for produktet.

Skjæreutstyret brukes til å klippe gress og kvister.

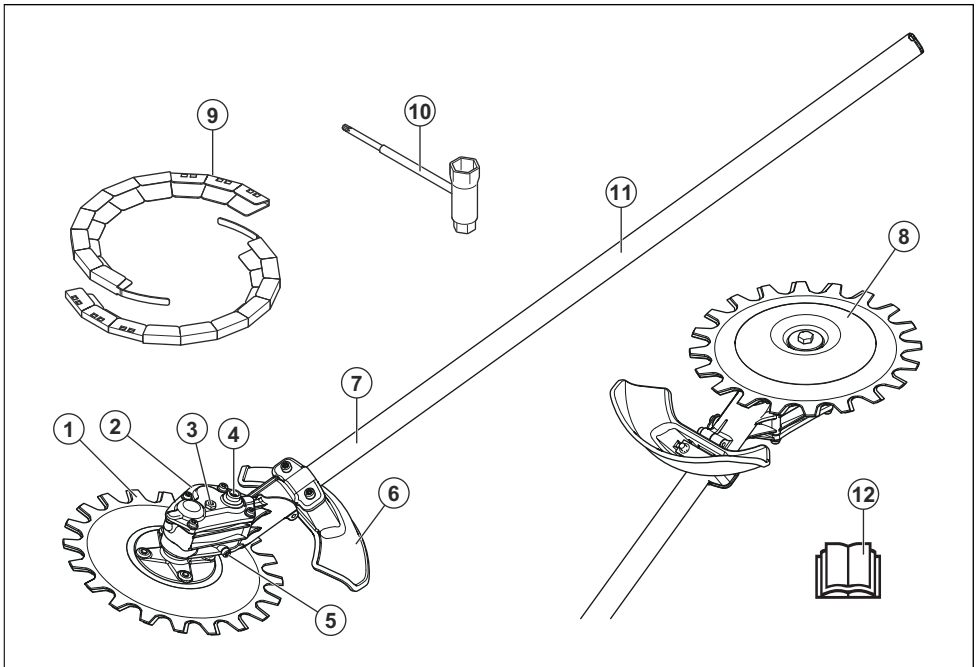
Merk: Nasjonale forskrifter kan sette grenser for bruken av produktet.

Produktbeskrivelse

Vi arbeider løpende med å videreutvikle produktene våre og forbeholder oss derfor retten til endringer vedrørende bl.a. form og utseende uten varsel.

Merk: Denne bruksanvisningen dekker både bensindrevne og batteridrevne strømenheter.

Oversikt over skjæreutstyr



1. Skive
2. Girhus
3. Øvre smøreplugg
4. Åpning for å bevege skivene manuelt

5. Nedre smøreplugg
6. Beskyttelse for skjæreutstyr
7. Riggør
8. Støttekopp

- 9. Transportbeskyttelse
- 10. Skrunøkkel
- 11. Informasjons- og advarselsetikett
- 12. Bruksanvisning

Symboler på utstyret og strømenheten



Uforsiktig eller feilaktig bruk av dette utstyret kan resultere i alvorlige skader eller dødsfall for brukeren eller andre.



Les bruksanvisningen nøye, og forsikre deg om at du forstår instruksjonene før du bruker utstyret.



Bruk vernehjelm på steder der gjenstander kan falle ned på deg. Bruk godkjent hørselsvern. Bruk godkjent øyevern.



Bruk alltid godkjente vernehansker.



Bruk sklisikre og solide støvler.



Maksimalt antall kutt i minuttet



Pilene viser grensene for plasseringen av håndtaket.



Produktet kan kaste ut objekter, noe som kan føre til skader.



Hold produktet minst 15 meter unna personer og dyr når du bruker det.



Brukeren skal påse at ingen mennesker eller dyr kommer nærmere enn 15 meter unna. Når flere brukere arbeider på samme sted, skal sikkerhetsavstanden være på minst 15 meter. Produktet kan kaste gjenstander med stor kraft, og disse kan sprette tilbake. Dette kan føre til alvorlige øyeskader hvis ikke anbefalt verneutstyr brukes.



Støyutslipp til omgivelsene ifølge EFs direktiv. Produktutslippene angis i kapittelet *Tekniske data på side 202* og på klistremerket.



Dette utstyret er i overensstemmelse med gjeldende EU-direktiver.



Dette produktet samsvarer med gjeldende EAC-direktiver.



Dette produktet samsvarer med gjeldende ukrainske direktiver



Produktet samsvarer med gjeldende direktiver angående elektromagnetisk kompatibilitet i Australia og New Zealand.

yyyywwxxxx

Serienumeretiketten viser serie-nummeret. **yyyy** er produksjonsåret og **ww** er produksjonsuken.

Merk: Øvrige symboler/klistremerker på tilbehøret gjelder spesifikke krav for sertifiseringer på visse markeder.

EU V



ADVARSEL: Tukling med motoren opphever EU-type-godkjenningen til dette produktet.

VIKTIGE SIKKERHETSINSTR UKSJONER

Sikkerhetsdefinisjoner

Advarsler, oppfordringer og merknader brukes for å understreke spesielt viktige deler av bruksanvisningen.



ADVARSEL: Brukes hvis det er fare for personskade eller død for føreren eller andre personer om instruksjonene i håndboken ikke følges.



OBS: Brukes hvis det er fare for skade på produktet og/eller tilbehør, annet materiell eller det nærliggende området hvis instruksjonene i bruksanvisningen ikke følges.

Merk: Brukes for å gi mer nødvendig informasjon for en spesifikk situasjon.

Les alle instruksjonene.



ADVARSEL: Når du bruker elektriske hagemaskiner, må du alltid følge de grunnleggende sikkerhetsreglene for å redusere faren for brann, elektrisk støt og personskade, blant annet følgende regler:

Generelle sikkerhetsinstruksjoner



ADVARSEL: Les de følgende sikkerhetsinstruksjonene før du bruker tilbehøret.

- Les nøye gjennom bruksanvisningen, og forstå innholdet før du bruker tilbehøret.
- Disse instruksjonene er et supplement til instruksjonene som ble levert med produktet. Se bruksanvisningen for produktet for informasjon om andre prosedyrer.
- Den opprinnelige konstruksjonen til tilbehøret må ikke under noen omstendigheter endres uten tillatelse fra produsenten. Ikke bruk et tilbehør som ser ut til å ha blitt modifisert av andre, og bruk alltid originalt tilleggsutstyr. Uautoriserte endringer og/eller tilleggsutstyr kan medføre alvorlige skader eller dødsfall for brukeren eller andre.
- Overeksponering for vibrasjoner kan føre til blodkar- eller nerveskader hos personer som har

blodsirkulasjonsforstyrrelser. Oppsøk lege hvis du opplever fysiske symptomer som kan relateres til overeksponering for vibrasjoner. Eksempel på slike symptomer er dovnang, manglende følelse, «kiling», «stikk», smerte, manglende eller redusert styrke, forandringer i hudens farge eller overflate. Disse symptomene oppstår vanligvis i fingre, hender eller håndledd. Disse symptomene kan øke ved lave temperaturer.

Sikkerhetsinstruksjoner for drift



ADVARSEL: Les de følgende advarselinstruksjonene før du bruker produktet.

- Produktet må kun brukes til oppgaver som er oppført i denne bruksanvisningen. Se *Bruksområder på side 192*.
- Ikke bruk produktet hvis du ikke er sikker på at du er i stand til det.
- Du må aldri bruke dette produktet når du er sliten, syk eller under påvirkning av alkohol, andre rusmidler eller medisiner. Dette kan redusere syn, dømmekraft og motorikk.
- Ikke bruk produktet hvis du ikke kan få hjelp hvis det skjer en ulykke.
- Du må ikke bruke produktet hvis det har tegn på skader.
- Kontroller at skjæreutstyret alltid stanser når motoren er på tomgang.
- Sørg for at ingen kommer nærmere enn 15 meter unna når du bruker utstyret. Pass på at bare godkjente personer befinner seg i arbeidsområdet.
- Ikke la barn bruke eller komme i nærheten av produktet.
- Hold arbeidsområdet rent og pent. Ikke bruk produktet i dårlig vær, for eksempel i tåke, i kraftig regn, ved sterk vind eller kulde, ved fare for lyn osv.
- Hvis noe blir sittende fast i skivene under bruk, må du stoppe motoren og vente til skivene ikke beveger seg. Fjern tennpluggetten fra tennpluggen, eller ta ut batteriet. Sett kombinasjonsnøkkelen i åpningen i girhuset for å bevege skivene. Se *Slik filer du skivene på side 200*.
- Hvis skivene blir skadet under bruk, kan den øvre og nedre skiven sette seg fast i hverandre. Ikke berør skivene. De kan plutselig bevege seg og forårsake personskade.
- Sørg for at du står trygt og stabilt under bruk.
- Produktet kan slynge ut gjenstander i høy hastighet. Kontroller at alle personer i arbeidsområdet brukes godkjent personlig verneutstyr. Fjern løse gjenstander fra arbeidsområdet.

- Følg nøye med på arbeidsområdet når du har på hørselsvern. Ta alltid av hørselsvernet når motoren stopper.
- Hvis produktet har uvanlige vibrasjoner, må du stoppe motoren. Hvis du har et bensindrevet produkt, må du fjerne tennpluggetten fra tennpluggen. Hvis du har et batteridrevet produkt, tar du ut batteriet. Prøv å finne ut av årsaken umiddelbart. Vibrasjoner tyder vanligvis på skade.
- Ikke gå fra produktet med motoren på.
- Hold i produktet med begge hender. Hold produktet på høyre side av kroppen. Bruk produktet med skjæreutstyret under hoftehøyde.



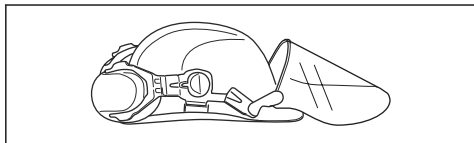
- Skjæreutstyret må være vendt vekk fra brukeren. Hvis skjæreutstyret er vendt mot brukeren, kan dette forårsake alvorlige personskader.
- Kontrollerer at hender og føtter ikke kommer nær skivene når motoren går.

Personlig verneutstyr



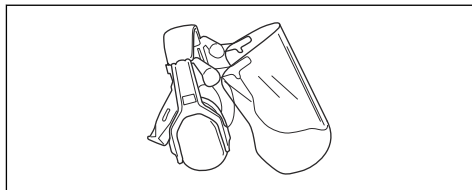
ADVARSEL: Les de følgende advarselinstruksjonene før du bruker produktet.

- Benytt alltid godkjent verneutstyr når du bruker produktet. Verneutstyr kan aldri fullstendig forhindre skade, men det reduserer skadeomfanget hvis ulykken inntreffer. Spør forhandleren din om hjelp til å velge riktig utstyr.
- Bruk vernehjelm dersom det kan være fare for fallende gjenstander.

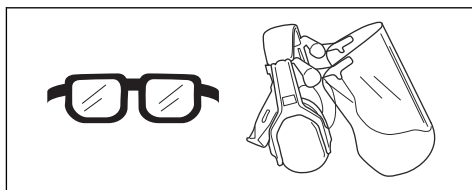


- Langvarig eksponering for støy kan gi hørselsskader. Batteridrevne produkter er generelt relativt stillestående, men skade kan oppstå ved en kombinasjon av støynivå og lang tids bruk. Husqvarna anbefaler at operatørene har på seg hørselsvern når de bruker produkter i en lang sammenhengende tidsperiode. Regelmessige

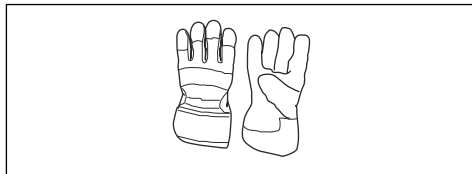
brukere bør sjekke hørselen sin jevnlig. Vær oppmerksom på at hørselsvern gir begrenset mulighet til å høre lyder og varselsignaler.



- Bruk godkjent øyevern. Ved bruk av visir skal det også brukes godkjente vernebriller. Godkjente vernebriller er slike som tilfredsstiller standard ANSI Z87.1 for USA eller EN 166 for EU-land.



- Bruk hansker når det er nødvendig, for eksempel når du undersøker eller rengjør produktet.

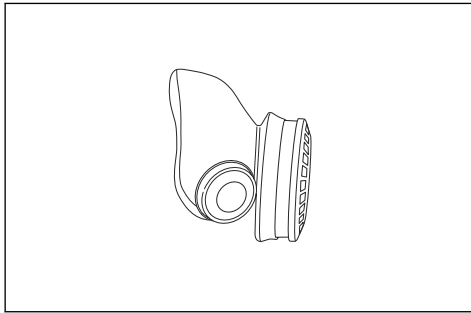


- Bruk vernestøvler, eller sko, med sklisikre såler.



- Bruk klær av et slitesterkt materiale. Bruk alltid tykke langbukser og lange ermer. Unngå bruk av altfor vide klær som lett henger seg fast i kvister og grener. Ikke bruk smykker, kortbukser eller åpne sko, og ikke gå barbert. Sett håret opp over skuldrene.

- Bruk åndedrettsvern når det er risiko for støv.



- Ha førstehjelpsutstyr for hånden.



Sikkerhetsutstyr på tilbehøret



ADVARSEL: Les de følgende advarelinstruksjonene før du bruker tilbehøret.

I dette avsnittet forklares tilbehørets sikkerhetsfunksjoner, hvilken funksjon de har, og hvordan man utfører kontroll og vedlikehold for å være sikker på at de fungerer. Se bruksanvisningen under overskriften *Oversikt over skjæreutstyr på side 192* for å se hvor disse delene er plassert på ditt tilbehør.

Levetiden til tilbehøret kan forkortes, og risikoen for ulykker kan øke, hvis vedlikeholdet av tilbehøret ikke utføres på riktig måte, og hvis service og/eller reparasjoner ikke utføres fagmessig. Hvis du trenger ytterligere informasjon, kan du kontakte nærmeste servicesenter.



ADVARSEL: Bruk aldri et tilbehør med defekt sikkerhetsutstyr. Tilbehørets sikkerhetsutstyr skal kontrolleres og vedlikeholdes som beskrevet i dette avsnittet. Hvis tilbehøret ikke består alle kontrollene, må serviceverksted oppsøkes for reparasjon.



ADVARSEL: All service og reparasjon av produktet krever spesialopplæring. Dette gjelder særlig produktets sikkerhetsutstyr. Hvis produktet ikke består alle kontrollene som er oppgitt nedenfor, må du oppsøke et serviceverksted. Kjøp av våre produkter garanterer at du kan få utført en fagmessig reparasjon og service. Hvis produktet ikke kjøpes hos en av våre servicefaghandlere,

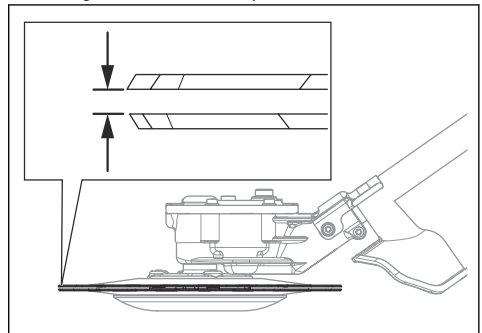
kan du spørre om hvor nærmeste serviceverksted er.

Slik kontrollerer du skjæreutstyret og beskyttelsen for skjæreutstyret

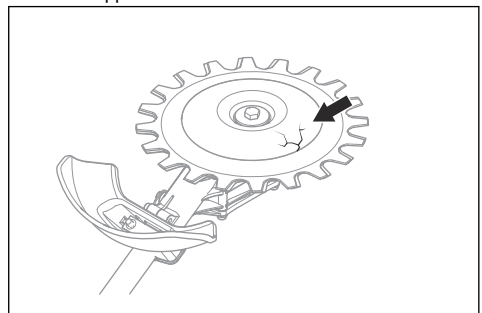


ADVARSEL: Skjæreutstyr må ikke brukes uten at godkjent beskyttelse er montert. Hvis feil eller defekt beskyttelse for skjæreutstyr er montert, kan dette forårsake skader.

1. Stopp motoren, og kontroller at skjæreutstyret stopper.
2. Hvis du har et bensindrevet produkt, må du fjerne tennpluggetten fra tennpluggen. Hvis du har et batteridrevet produkt, tar du batteriet ut av produktet.
3. Ta på deg vernehansker.
4. Sørg for at skivene ikke er skadd. Skift ut skivene hvis de er bøyd eller skadet. Se *Slik bytter du ut skivene på side 200*.
5. Kontroller skivene. Forsikre deg om at det ikke er klaring mellom skivene. Hvis det er klaring mellom skivene, må skivene justeres. Se *Slik justerer du klaringen mellom skivene på side 201*.

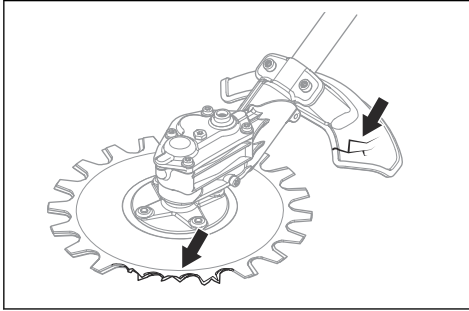


6. Kontroller at støttekappen ikke er skadet. Bytt ut støttekappen hvis den er skadet.



7. Kontroller at skruene på skjæreutstyret er trukket til.

8. Pass på at skivene på beskyttelsen for skjæreutstyret ikke er skadet. Skift skadede deler.



Sikkerhetsinstruksjoner for vedlikehold

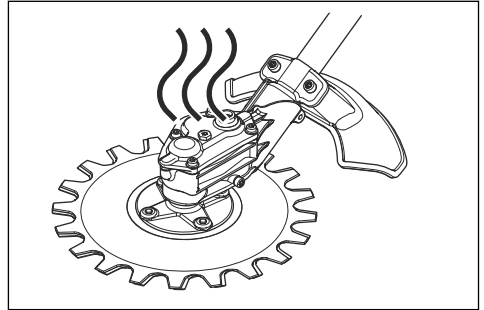


ADVARSEL: Skjæreutstyret kan fortsette å rotere etter at gassen/kraftutløseren er sluppet. Hvis du har et bensindrevet produkt, må du fjerne tennpluggetten fra tennpluggen. Hvis du har et batteridrevet produkt, tar du batteriet ut av produktet. Forsikre deg om at skjæreutstyret har stanset helt, før du utfører vedlikehold.



ADVARSEL: Girhuset blir varmt under bruk av produktet. Du må ikke berøre girhuset,

ettersom du kan brenne deg på den varme overflaten.



- Bruk alltid robuste hansker når du reparerer skjæreutstyret. Skjæreutstyret er svært skarpt og kan lett forårsake kuttskader.
- Bruk bare originale reservedeler ved reparasjon.

TA VARE PÅ DISSE INSTRUKSJONENE

Bruk

Arbeidsteknikk



ADVARSEL: Grener eller gress kan komme i klem mellom beskyttelsen for skjæreutstyret og skjæreutstyret. Stopp alltid motoren før du rengjør skjæreutstyret.

- Bruk full gass når du kutter, og reduser turtallet til tomgang etter hvert kutt.

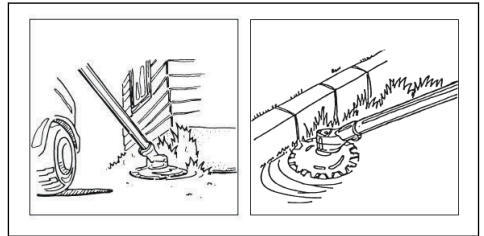


OBS: Det kan oppstå motorskade hvis motoren går for lenge med full gass uten belastning.

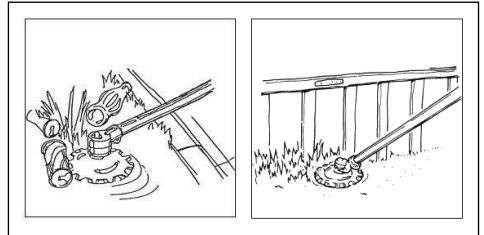
Anbefalt bruk av skjæreutstyret

Skivene i skjæreutstyret beveger seg med en liten vinkel, og du kan skjære i alle retninger. Flytt skjæreutstyret langs bakken i en høyde der støttekoppen berører bakken. Skjæreutstyret kan brukes på følgende steder:

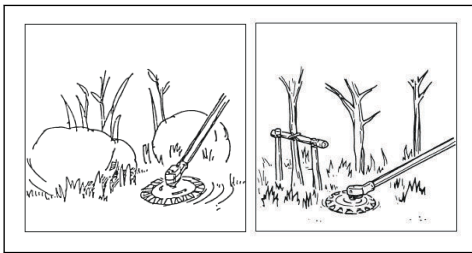
- parkområder og veikanter



- ved siden av veier og i nærheten av gjerder



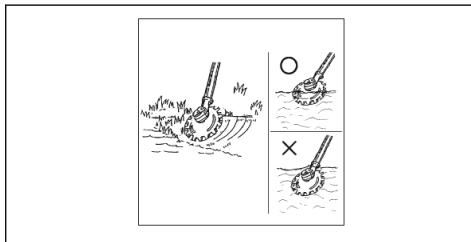
- rundt steiner og trær



- i nærheten av vann



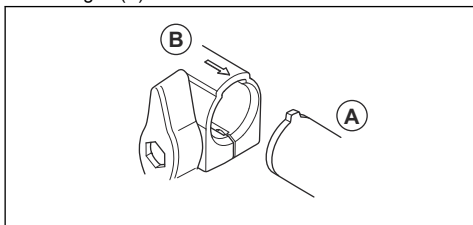
OBS: Ikke legg girhuset i vann.



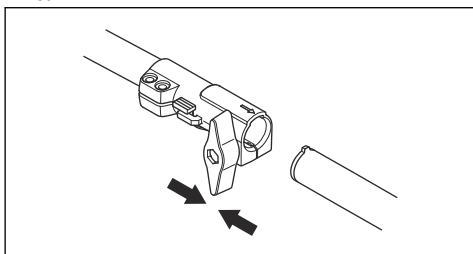
Montering

Slik monterer du det todelte riggrøret

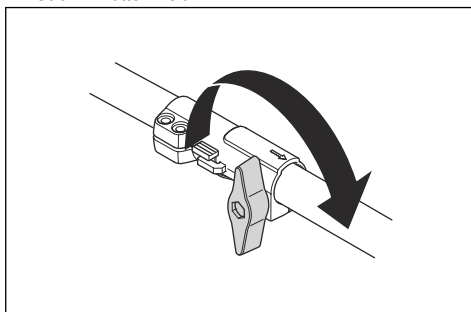
1. Vri knotten for å løsne koblingen.
2. Rett inn knasten på skjæreutstyret (A) etter pilen på koblingen (B).



3. Skyv riggrøret forsiktig inn på koblingen til du hører et klikk.

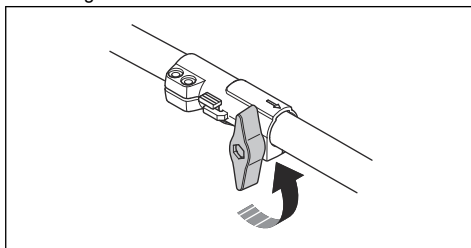


4. Stram knotten helt.



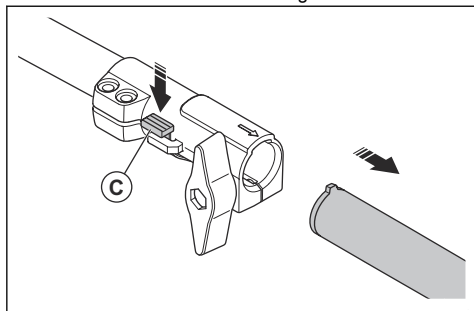
Slik demonterer du det todelte riggrøret

1. Vri knotten 3 omdreininger eller mer for å løsne koblingen.



2. Trykk ned og hold nede knappen (C).
3. Hold godt tak i enden av riggrøret som motoren er festet til.

4. Trekk tilbehøret rett ut av koblingen.



Vedlikehold

Innledning

Nedenfor følger noen generelle vedlikeholdsinstruksjoner. Kontakt serviceverkstedet dersom du trenger ytterligere opplysninger.

Merk: Brukeren må bare utføre den typen vedlikehold og service på skjæreutstyret som er angitt i denne bruksanvisningen. Andre typer vedlikehold og service må utføres av et godkjent serviceverksted.

Vedlikeholdsskjema

Nedenfor finner du en liste over vedlikeholdstrinnene som må utføres på skjæreutstyret.

Vedlikehold	Daglig	Ukentlig	Månedlig
Rengjør de utvendige delene av produktet.	X		
Sørg for at skivene ikke er skadd. Skift ut skivene hvis de er bøyd eller skadet.	X		
Kontroller at skjæreutstyrbeskyttelsen ikke er skadet. Skift ut beskyttelsen for skjæreutstyret hvis den er skadet.	X		
Kontroller at støttekoppen ikke er skadet. Bytt ut støttekoppen hvis den er skadet.	X		
Kontroller at skruer og mutre sitter stramt.	X		
Fyll girhuset med fett, omtrent etter hver 100. arbeidstime.		X	

Slik rengjør og smører du bladet

1. Rengjør uønsket materiale fra bladet før og etter bruk av produktet.
2. Smør bladet før lang tids oppbevaring.

Merk: Ta kontakt med serviceforhandleren din for å få mer informasjon om anbefalt rengjørings- og smøremiddel.

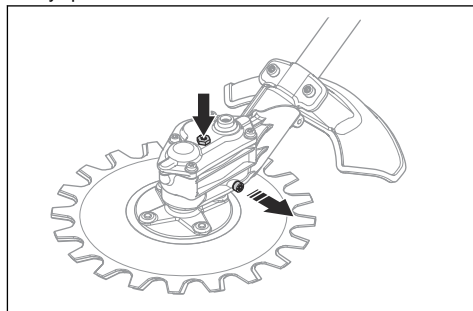
Slik smører du girhuset



OBS: Ikke fyll girhuset helt. Hvis girhuset er fullt, kan fett skade tetningene og føre til lekkasjer.

1. Ta ut smørepluggene.

2. Fyll på fett i det øverste hullet.



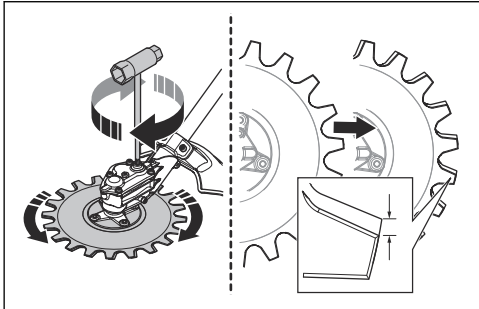
3. Sett inn smørepluggene igjen.

Slik filer du skivene

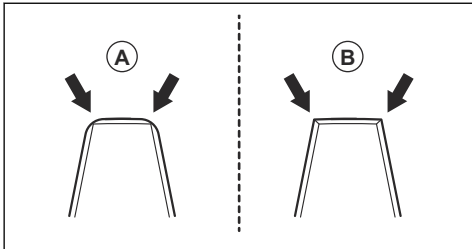


ADVARSEL: Bruk vernehansker når du holder i skivene.

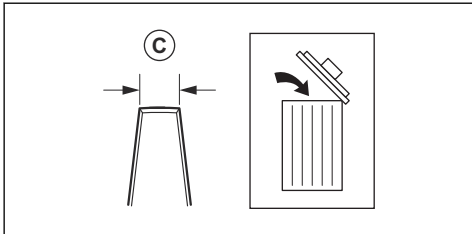
1. Sett kombinasjonsnøkkelen i åpningen på girhuset.
2. Drei kombinasjonsnøkkelen til det er forskjell på 3 mm mellom den øverste skiven og den nederste skiven.



3. Fil kantene (B) som du kan nå, med et slipeapparat. Pass på at kantene ikke rundes av (A).



4. Drei kombinasjonsnøkkelen i motsatt retning for å nå kantene på motsatt side.
5. Fil kantene som du kan nå, med et slipeapparat.
6. Bytt ut skivene når bredden på tannen er på under 8 mm (C).



Slik bytter du ut skivene



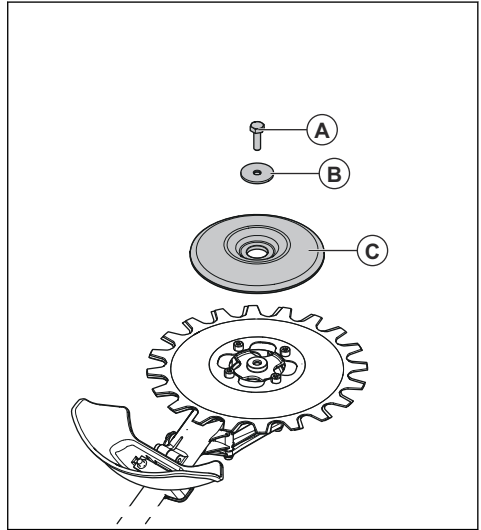
ADVARSEL: Bruk vernehansker når du holder i skivene.



ADVARSEL: For å unngå ubalanse og vibrasjoner i produktet bør du rengjøre skjæreutstyret når du bytter ut skivene.

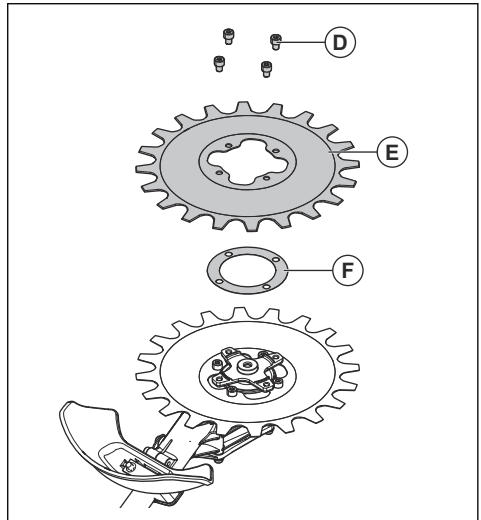
Merk: Skivene kan brukes om hverandre.

1. Fjern den midtre skruen (A), flensskiven (B) og støttekoppen (C).

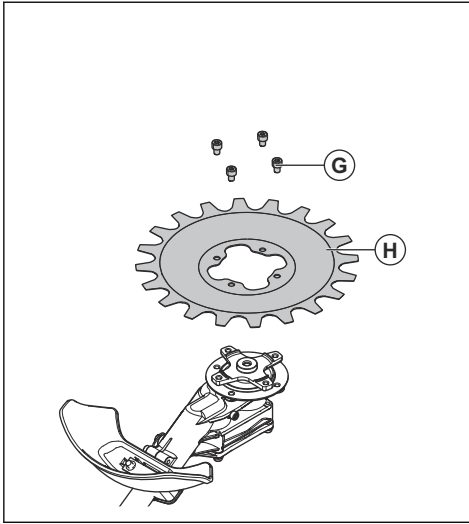


Merk: Skruen i midten er venstregjenget.

2. Ta ut de fire skruene (D), den nedre skiven (E) og mellomlegget (F).



3. Ta ut de fire skruene (G) og den øvre skiven (H).



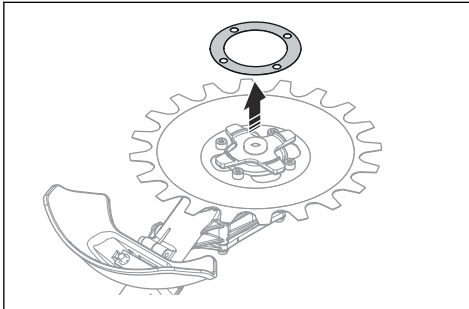
4. Monter skivene i motsatt rekkefølge. Trekk til skruene like stramt når du monterer skivene.

Slik justerer du klaringen mellom skivene



ADVARSEL: Bruk vernehansker når du holder i skivene.

1. Fjern den nedre skiven. Se *Slik bytter du ut skivene på side 200*.
2. Fjern mellomlegget.



Merk: Oppbevar mellomlegget til det er på tide å sette på skivene igjen.

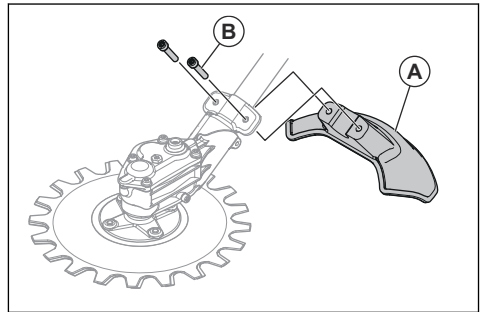
3. Monter den nedre skiven. Trekk til skruene like stramt når du monterer skivene.

Slik bytter du ut beskyttelsen for skjæreutstyret



ADVARSEL: Bruk vernehansker når du holder i skivene.

- Fjern de to skruene (B) og beskyttelsen for skjæreutstyret (A).
- Monter den nye beskyttelsen for skjæreutstyret (A) med to skruer (B). Trekk til skruene like stramt.



Transport, oppbevaring og avhending

Transport og oppbevaring

- Kontroller at transportbeskyttelsen er riktig festet til skjæreutstyret når produktet ikke er i bruk, transporteres eller oppbevares.

- Oppbevar skjæreutstyret på et sted som er låst, for å unngå at barn eller andre uvedkommende skal finne det.
- Fest skjæreutstyret sikkert under transport for å unngå skader og uhell.

- Før lang tids oppbevaring må du sørge for at skjæreutstyret er rent og at fullstendig service er utført.

Tekniske data

Tekniske data

RA850	
Vekt	
Vekt, kg	2,5
Støynivå⁴⁶	
Lydeffektnivå, målt dB (A)	102
Lydeffektnivå, garantert (L_{WA}), dB(A)	105
Lydnivåer⁴⁷	
Ekvivalent lydtrykksnivå ved brukerens øre, målt i henhold til EN ISO 11806-1 og EN ISO 22868, dB(A)	
Utstyrt med godkjent tilbehør (original)	90
Vibrasjonsnivåer⁴⁸	
Ekvivalente vibrasjonsnivåer ($a_{hv,eq}$) i håndtak, målt i henhold til EN ISO 11806-1 og ISO 22867, m/s^2	
Utstyrt med godkjent tilbehør (originalt), venstre/høyre	3,9/4,8
Skiver	
Diameter, mm	230
Skivehastighet, kutt/min	4600

⁴⁶ Utslipp av støy til omgivelsene målt som lydeffekt (L_{WA}) samsvarer med EF-direktiv 2000/14/EF. Rapporterte lydeffektnivåer for maskinen er målt med det originale skjæreutstyret som gir høyest nivå. Forskjellen mellom garantert og målt lydeffekt er at garantert lydeffekt også omfatter spredning i måleresultatet og variasjoner mellom forskjellige maskiner av samme modell, i henhold til direktivet 2000/14/EF.

⁴⁷ Rapporterte data for ekvivalent lydtrykksnivå for maskinen har en typisk statistisk spredning (standard avvik) på 1 dB(A).

⁴⁸ Rapporterte data for ekvivalent vibrasjonsnivå har en typisk statistisk spredning (standardavvik) på 1 m/s^2 .

EF-samsvarserklæring

Husqvarna AB, SE-561 82 Huskvarna, Sverige, tlf.: +46-36-146500, erklærer at reciprocator attachment **Husqvarna RA850** med serienummer fra 2019 og fremover (året er tydelig merket på typeskiltet, etterfulgt av serienummeret), samsvarer med kravene i RÅDSDIREKTIVET:

- fra 17. mai 2006, «angående maskiner» **2006/42/EF**
- av 8. juni 2011 «om begrensning i bruk av visse farlige stoffer i elektrisk og elektronisk utstyr» **2011/65/EU**.
- fra 8. mai 2000 «angående utslipp av støy til omgivelsene» **2000/14/EF** Vurdering av overensstemmelse utført i henhold til tillegg V. For informasjon angående støyutslippene kan du kapittelet Tekniske data.

Følgende standarder er blitt brukt:

EN ISO 11806-1:2011, EN 50581:2012

RISE SMP Svensk Maskinprovning AB, Box 7035, SE-750 07 Uppsala, Sweden, har utført frivillig typeprøving for Husqvarna AB. Sertifikatene har nummer: **SEC/19/2528**

Huskvarna, 2019-03-11



Per Gustafsson, utviklingssjef (autorisert representant for Husqvarna AB og ansvarlig for teknisk dokumentasjon)

SPIS TREŚCI

Wstęp.....	204	Przegląd.....	211
Bezpieczeństwo.....	206	Transport, przechowywanie i utylizacja.....	214
Obsługa.....	210	Dane techniczne.....	214
Montaż.....	211	Deklaracja zgodności WE.....	216

Wstęp

Przeznaczenie



OSTRZEŻENIE: Osprzęt tnący może być używany tylko w połączeniu z kompatybilnymi produktami. Patrz instrukcja obsługi produktu.

Osprzęt tnący jest przeznaczony wyłącznie do koszenia trawy i gałązek.

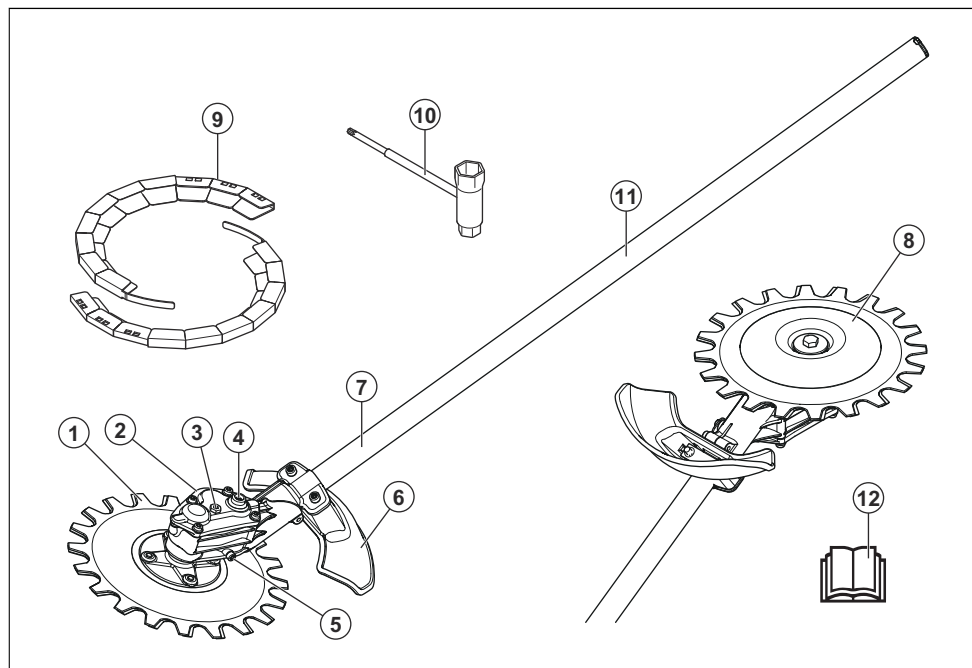
Uwaga: Przepisy krajowe mogą ograniczać możliwość użycia tego produktu.

Opis produktu

Nieustannie modernizujemy swoje wyroby, w związku z czym zastrzegamy sobie prawo do wprowadzania zmian dotyczących m.in. wyglądu produktów bez uprzedzenia.

Uwaga: Niniejsza instrukcja obejmuje zarówno zespoły napędowe zasilane benzyną, jak i akumulatorem.

Przegląd osprzętu tnącego



1. Ostrze
2. Obudowa przekładni
3. Górna zatyczka smaru
4. Gniazdo do ręcznego przesuwania ostrzy
5. Dolna zatyczka smaru
6. Osłona osprzętu tnącego

7. Wałek
8. Talerz dystansowy
9. Osłona transportowa
10. Klucz dwustronny
11. Naklejki informacyjne i ostrzegawcze
12. Instrukcja obsługi

Symbole na osprzęcie i na zespole napędowym



Nieuważne lub nieprawidłowe postępowanie się osprzętem może być przyczyną poważnych obrażeń lub śmierci obsługującego bądź innych osób.



Należy dokładnie przeczytać instrukcję obsługi i przed użyciem osprzętu upewnić się, że wszystkie wskazówki zostały zrozumiane.



Stosować kask ochronny w miejscach zagrożonych spadającymi obiektami. Stosować atestowane środki ochrony słuchu. Stosować atestowane środki ochrony oczu.



Należy zawsze używać zatwierdzonych rękawic ochronnych.



Używać przeciwpoślizgowego, stabilnego obuwia wysokiego.



Maksymalna liczba cięć na minutę.



Strzałki wskazują ograniczenia pozycji uchwytu.



Należy pamiętać o niebezpieczeństwie wyrzucania cząstek ciał stałych, które mogą spowodować obrażenia ciała.



Podczas korzystania z produktu należy zachować minimalną odległość 15 m / 50 stóp od innych osób lub zwierząt.



Użytkownik jest zobowiązany dopilnować, aby żadne osoby postronne ani zwierzęta nie znajdowały się w odległości mniejszej niż 15 m. Wymóg 15-metrowej bezpiecznej odległości ma również zastosowanie w przypadku, gdy kilku operatorów pracuje w tym samym miejscu. Osprzęt jest w stanie odrzucać z dużą siłą przedmioty, które mogą odbić się z powrotem. Jeżeli nie jest stosowane zalecane wyposażenie ochronne, może to doprowadzić do poważnych urazów oczu.



Emisja hałasu zgodna z Dyrektywą Wspólnoty Europejskiej. Hałas emitowany przez osprzęt jest określony w rozdziale *Dane techniczne na stronie 214* oraz na tabliczce znamionowej.



Niniejszy osprzęt jest zgodny z obowiązującymi dyrektywami wspólnoty europejskiej.



Maszyna jest zgodna z odpowiednimi dyrektywami EAC.



Produkt jest zgodny z odpowiednimi dyrektywami obowiązującymi na Ukrainie



Ten produkt jest zgodny z odpowiednimi dyrektywami Australii i Nowej Zelandii dotyczącymi kompatybilności elektromagnetycznej.

yyyywwxxxx

Numer seryjny znajduje się na naklejce. **yyyy** oznacza rok produkcji, a **ww** tydzień produkcji.

Uwaga: Pozostałe symbole/naklejki samoprzylepne umieszczone na osprzęcie tnącym dotyczą specjalnych wymogów, związanych z certyfikatami w poszczególnych krajach.



OSTRZEŻENIE: Ingerencja w silnik powoduje unieważnienie europejskiego zatwierdzenia typu produktu.

Bezpieczeństwo

WAŻNE ZALECENIA DOTYCZĄCE BEZPIECZEŃSTWA

Definicje dotyczące bezpieczeństwa

Ostrzeżenia, uwagi i informacje są używane do zwrócenia uwagi na szczególnie ważne sekcje instrukcji obsługi.



OSTRZEŻENIE: Stosuje się, gdy istnieje ryzyko poważnych obrażeń lub śmierci operatora albo osób postronnych w wyniku nieprzestrzegania instrukcji obsługi.



UWAGA: Stosuje się, gdy istnieje ryzyko uszkodzenia produktu i/lub przystawki, innych materiałów lub otoczenia w wyniku nieprzestrzegania instrukcji obsługi.

Uwaga: Stosuje się, aby przekazać więcej informacji, które są przydatne w danej sytuacji.

Należy przeczytać wszystkie instrukcje



OSTRZEŻENIE: Aby ograniczyć ryzyko pożaru, porażenia prądem i/lub poważnych obrażeń podczas korzystania z elektrycznego sprzętu ogrodniczego, należy zawsze stosować następujące podstawowe środki bezpieczeństwa:

Ogólne zasady bezpieczeństwa



OSTRZEŻENIE: Przed rozpoczęciem użytkowania osprzętu należy przeczytać następujące zasady bezpieczeństwa.

- Należy dokładnie przeczytać instrukcję obsługi i przed użyciem osprzętu upewnić się, że wszystkie wskazówki zostały zrozumiane.
- Niniejsza instrukcja jest uzupełnieniem instrukcji dostarczonej z urządzeniem. Informacje o innych

procedurach znajdują się w instrukcji obsługi urządzenia.

- Pod żadnym pozorem nie wolno zmieniać ani modyfikować fabrycznej konstrukcji osprzętu bez zezwolenia wydanego przez producenta. Nie należy używać osprzętu, który wydaje się zmodyfikowany przez inne osoby, oraz należy zawsze stosować oryginalne akcesoria. Samowolne wprowadzanie zmian oraz/lub montowanie wyposażenia niezatwierdzonego przez producenta może stać się przyczyną groźnych obrażeń lub śmierci obsługującego urządzenie bądź innych osób.
- Nadmierne wystawienie operatora na działanie wibracji może powodować uszkodzenia układu krążenia i układu nerwowego, szczególnie u ludzi z wadami krążenia. Zwróć się do lekarza, jeśli rozpoznasz u siebie symptomy dolegliwości somatycznych, których przyczyną może być wystawienie na nadmierne wibracje. Przykładem takich objawów jest drętwienie, brak czucia, mrowienie, kłucie, ból, utrata siły, zmiany koloru lub wyglądu skóry. Objawy te zazwyczaj są odczuwalne w palcach, dłoniach i nadgarstkach. Mogą one się nasilać w niskich temperaturach.

Instrukcje bezpieczeństwa dotyczące obsługi



OSTRZEŻENIE: Przed rozpoczęciem użytkowania produktu przeczytać następujące ostrzeżenia.

- Produktu należy używać wyłącznie do zadań opisanych w niniejszej instrukcji. Patrz *Przeznaczenie na stronie 204*.
- Nie należy używać produktu, jeśli istnieją jakiegokolwiek wątpliwości co do jego obsługi.
- Osoba, która jest zmęczona, chora lub znajduje się pod wpływem alkoholu, narkotyków lub leków, nie może obsługiwać produktu. Sytuacje te powodują ograniczenie pola widzenia, zdolności oceny oraz koordynacji operatora.
- Nie używać maszyny, jeśli otrzymanie pomocy w razie wypadku będzie niemożliwe.
- Nie używać produktu, jeśli widoczne są oznaki uszkodzenia.
- Sprawdzić, czy osprzęt tnący zawsze zatrzymuje się, gdy silnik pracuje na biegu jałowym.
- Należy zwrócić uwagę, aby nikt nie znajdował się w promieniu 15 metrów od miejsca pracy. Sprawdzić,

czy tylko upoważnione osoby znajdując się w obszarze roboczym.

- Dzieci nie mogą używać produktu ani przebywać w jego pobliżu.
- Utrzymywać miejsce pracy w czystości i dbać o oświetlenie. Nigdy nie wolno używać urządzenia w niesprzyjających warunkach pogodowych np. we mgle, przy silnych opadach i silnym wietrze, na silnym mrozie lub gdy występuje ryzyko wyładowań atmosferycznych.
- Jeśli podczas pracy jakiś obiekt zostanie wciągnięty w ostrza, należy zatrzymać silnik i poczekać, aż ostrza się zatrzymają. Odłączyć fajkę świecy zapłonowej od świecy / wyjąć akumulator. Włożyć klucz dwustronny do gniazda obudowy przekładni, aby przesunąć ostrza, patrz *Ostrzenie noży na stronie 212*.
- Jeśli podczas pracy ostrza zostaną uszkodzone, górne i dolne ostrze mogą się o siebie zaczepić. Nie dotykać ostrzy, mogą się one nagle zacząć poruszać i spowodować obrażenia.
- Zapewnić bezpieczną i stabilną postawę podczas pracy.
- Należy pamiętać o niebezpieczeństwie wyrzucania z dużą prędkością cząstek ciał stałych. Wszystkie osoby w miejscu pracy powinny używać zatwierdzonych środków ochrony osobistej. Należy usunąć luźne przedmioty z obszaru pracy.
- Mając założone ochronniki słuchu, należy zawsze obserwować obszar roboczy. Ochronniki słuchu należy zdejmować po wyłączeniu silnika.
- Jeśli produkt drga w nietypowy sposób, należy zatrzymać silnik. W przypadku urządzeń napędzanych benzyną odłączyć fajkę świecy zapłonowej od świecy. W przypadku urządzeń z napędem akumulatorowym wyjąć akumulator. Natychmiast sprawdzić przyczynę. Wibracje są zazwyczaj sygnałem uszkodzenia.
- Nie odchodzić od maszyny, gdy jej silnik pracuje.
- Produkt należy mocno trzymać dwiema rękami. Trzymać produkt po prawej stronie tułowia. Obsługiwać urządzenie z osprzętem tnącym poniżej pasa.



- Podczas obsługi osprzętu tnącego należy utrzymywać go z dala od operatora. Cięcie w

kierunku operatora może spowodować poważne obrażenia ciała.

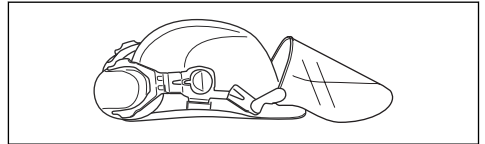
- Upewnić się, że dłonie i stopy nie znajdują się w pobliżu ostrzy podczas pracy silnika.

Środki ochrony osobistej

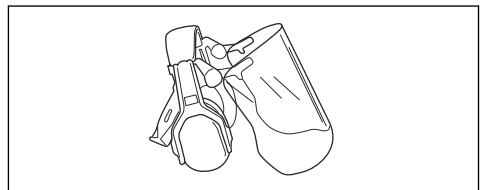


OSTRZEŻENIE: Przed rozpoczęciem użytkowania produktu przeczytać następujące ostrzeżenia.

- Podczas używania produktu należy zawsze mieć na sobie zatwierdzone środki ochrony osobistej. Środki ochrony osobistej nie eliminują całkowicie ryzyka odniesienia obrażeń, natomiast ograniczają ich rozmiar w razie zaistnienia wypadku. Skorzystać z pomocy dealera przy wyborze odpowiedniego sprzętu.
- Stosować kask ochronny, gdy zachodzi ryzyko uderzenia spadającymi przedmiotami.



- Długotrwałe przebywanie w hałasie może doprowadzić do uszkodzenia słuchu. Generalnie produkty zasilane akumulatorem są stosunkowo ciche, ale połączenie poziomu hałasu i długiego użytkowania może przynieść szkody. Firma Husqvarna zaleca, aby operatorzy stosowali ochronniki słuchu podczas używania produktów przez dłuższy czas w ciągu dnia. Operatorzy korzystający z urządzenia w sposób ciągły i regularny powinni regularnie sprawdzać słuch. Należy zwrócić uwagę, że ochronniki słuchu ograniczają możliwość słyszenia dźwięków i sygnałów ostrzegawczych.



- Stosować atestowane środki ochrony oczu. Podczas używania maski ochronnej twarzy należy mieć na sobie także zatwierdzone okulary ochronne. Za zatwierdzone okulary ochronne uważane są takie,

które są zgodne z normami ANSI Z87.1 dla USA lub EN 166 dla krajów UE.

- Zawsze mieć pod ręką apteczkę pierwszej pomocy.



Zespoły zabezpieczające na osprzęt



OSTRZEŻENIE: Przed rozpoczęciem użytkowania osprzętu należy przeczytać następujące ostrzeżenia.

Niniejszy rozdział określa zespoły zabezpieczające osprzętu, jego przeznaczenie oraz sposób, w jaki należy przeprowadzać sprawdzanie i konserwację, aby zapewnić jego poprawne działanie. Patrz wskazówki pod nagłówkiem *Przegląd osprzętu tnącego na stronie 204*, aby sprawdzić rozmieszczenie poszczególnych elementów w danym osprzęcie.

Jeżeli osprzęt nie jest prawidłowo konserwowany i poddawany profesjonalnie wykonywanym naprawom i/lub obsłudze technicznej, skraca się jego żywotność i zwiększa ryzyko wypadku. Aby uzyskać dodatkowe informacje, należy skontaktować się z najbliższym punktem serwisowym.



OSTRZEŻENIE: Nie wolno używać osprzętu, którego zespoły zabezpieczające są uszkodzone. Zespoły zabezpieczające osprzętu należy kontrolować i konserwować zgodnie z opisem w niniejszym rozdziale. Jeżeli osprzęt nie spełnia któregokolwiek z warunków kontrolnych, skontaktować się z przedstawicielem serwisu w celu dokonania naprawy.

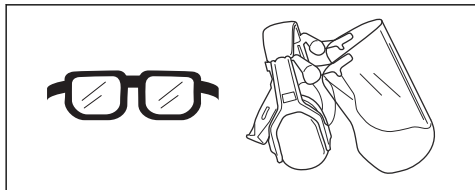


OSTRZEŻENIE: Wszelkie czynności obsługowe i naprawy produktu wymagają specjalnego przeszkolenia. Szczególnie dotyczy to elementów zabezpieczających produktu. Jeżeli produkt nie spełnia jakiegokolwiek z niżej wymienionych warunków kontrolnych, należy go oddać do warsztatu obsługi technicznej. Kupując nasze produkty, uzyskujesz także gwarancję profesjonalnej obsługi i napraw. Jeżeli w miejscu zakupu nie jest prowadzona obsługa serwisowa, można zapytać o adres najbliższego warsztatu obsługi technicznej.

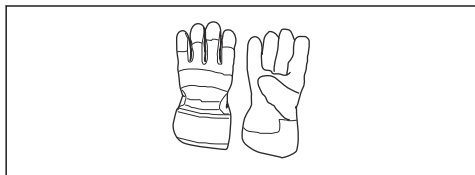
Kontrola osprzętu tnącego oraz jego osłony



OSTRZEŻENIE: W żadnym wypadku nie wolno używać osprzętu tnącego bez zamontowanej zatwierdzonej osłony. Stosowanie niewłaściwych lub



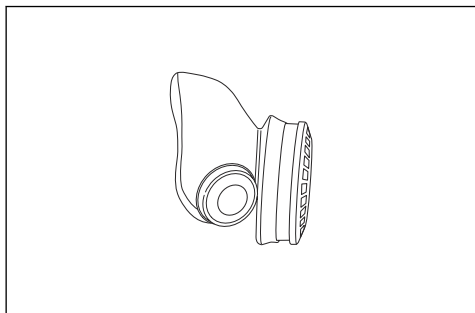
- W razie potrzeby, na przykład podczas mocowania, sprawdzania lub czyszczenia produktu, stosować rękawice ochronne.



- Nosić buty ochronne lub buty z antypoślizgowymi podeszwami.

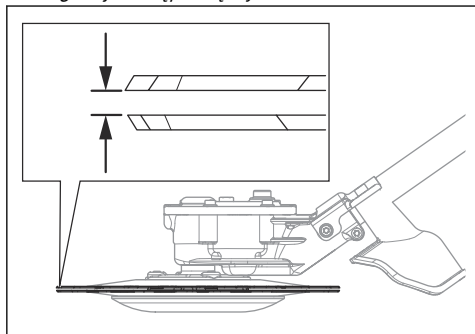


- Nosić odzież wykonaną z mocnego materiału. Nosić odzież z długimi nogawkami i długimi rękawami, wykonaną z mocnego materiału. Luźne części odzieży mogą zahaczyć o krzewy lub gałęzie. Nie nosić biżuterii, krótkich spodni, sandałów ani nie pracować na boso. Utrzymywać włosy w sposób bezpieczny powyżej poziomu barków.
- Jeśli istnieje ryzyko powstawania pyłu, należy stosować środki ochrony dróg oddechowych.

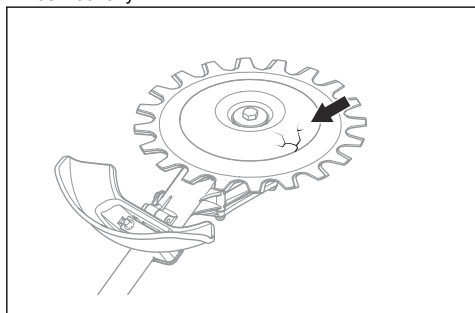


uszkodzonych osłon osprzętu tnącego może skutkować obrażeniami.

1. Zatrzymać silnik i upewnić się, że osprzęt tnący się nie obraca.
2. W przypadku urządzeń napędzanych benzyną odłączyć fajkę świecy zapłonowej od świecy. W przypadku urządzeń z napędem akumulatorowym należy wyjąć akumulator z produktu.
3. Założyć rękawice ochronne.
4. Upewnić się, czy ostrza nie są uszkodzone. Uszkodzone ostrza należy wymienić. Patrz *Wymiana noży na stronie 213*.
5. Sprawdzić tarcze tnące. Upewnić się, że pomiędzy ostrzami nie ma luzu. Jeśli pomiędzy ostrzami jest luz, muszą one zostać wyregulowane. Patrz *Regulacja odstępu między ostrzami na stronie 213*.

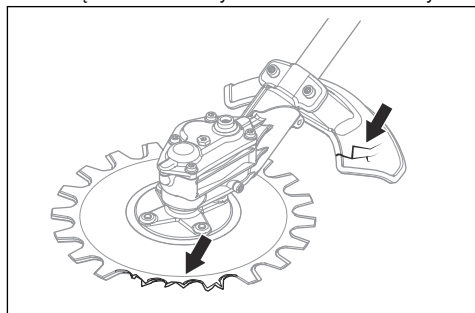


6. Upewnić się, że talerz dystansowy nie jest uszkodzony. Wymienić talerz dystansowy, jeżeli jest uszkodzony.



7. Upewnić się, że śruby na osprzęcie tnącym są prawidłowo dokręcone.

8. Upewnić się, że ostrza oraz osłona osprzętu tnącego nie są uszkodzone. Wymienić wadliwe elementy.



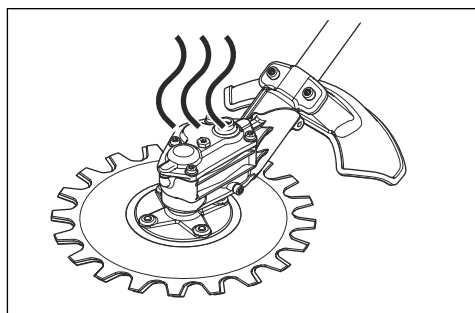
Instrukcje bezpieczeństwa dotyczące konserwacji



OSTRZEŻENIE: Po zwolnieniu przepustnicy/manetki gazu osprzęt tnący może nadal się obracać. W przypadku urządzeń napędzanych benzyną odłączyć fajkę świecy zapłonowej od świecy. W przypadku urządzeń z napędem akumulatorowym należy wyjąć akumulator z produktu. Przed przystąpieniem do konserwacji sprawdzić, czy osprzęt tnący całkowicie się zatrzymał.



OSTRZEŻENIE: Obudowa przekładni nagrzewa się podczas pracy produktu. Nie dotykać obudowy przekładni, aby się nie oparzyć.



- Przystępując do naprawy osprzętu tnącego, należy zawsze zakładać solidne rękawice ochronne. Osprzęt tnący jest bardzo ostry i bardzo łatwo można się o niego skaleczyć.
- Do napraw używać wyłącznie oryginalnych części zamiennych.

Obsługa

Technika pracy



OSTRZEŻENIE: Drobne gałęzie lub trawa mogą się czasami zaklinować pomiędzy osprzętem tnącym a osłoną. Przed przystąpieniem do czyszczenia osprzętu tnącego należy wyłączyć silnik.

- Używać pełnej mocy/prędkości podczas cięcia i zmniejszać prędkość do biegu jałowego po każdym cięciu.

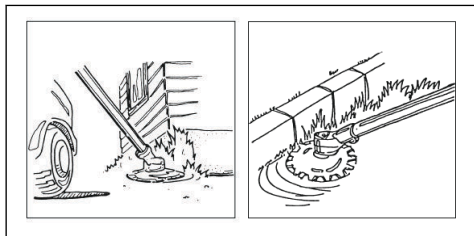


UWAGA: Silnik może ulec uszkodzeniu, jeśli będzie pracował zbyt długo na pełnej mocy bez obciążenia.

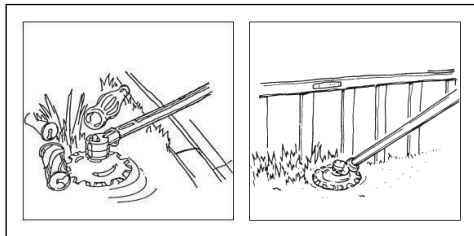
Zalecane zastosowanie do osprzętu tnącego

Ostrza osprzętu tnącego poruszają się pod małym kątem i mogą ciąć we wszystkich kierunkach. Przesunąć osprzęt tnący wzdłuż podłoża na wysokości, na której talerz dystansowy dotyka podłoża. Osprzęt tnący nadaje się do koszenia:

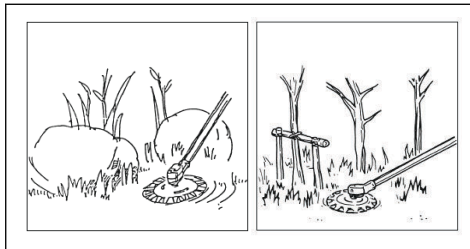
- Terenów parkowych i krawędzi dróg.



- Poboczy oraz roślinności w pobliżu ogrodzeń.



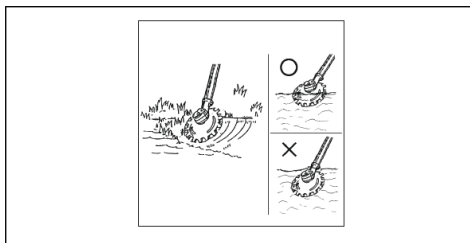
- Obszarów wokół kamieni i drzew.



- Obszarów w pobliżu wody.



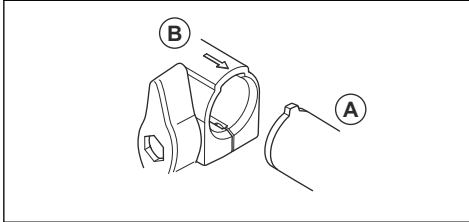
UWAGA: Nie wkładać obudowy przekładni do wody.



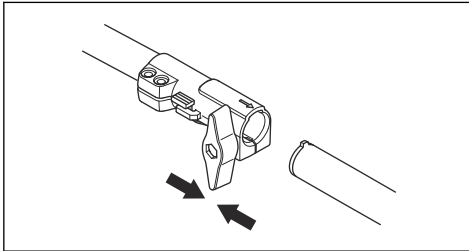
Montaż

Montaż wałka dwuczęściowego

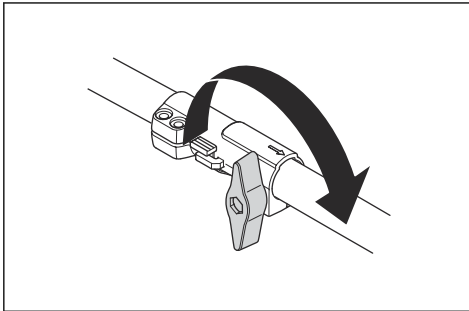
1. Obrócić pokrętło, aby poluzować złącze.
2. Wyrównać wypust osprzętu tnącego (A) ze strzałką na złączce (B).



3. Ostrożnie wcisnąć wałek w złączkę wałka do momentu usłyszenia kliknięcia.

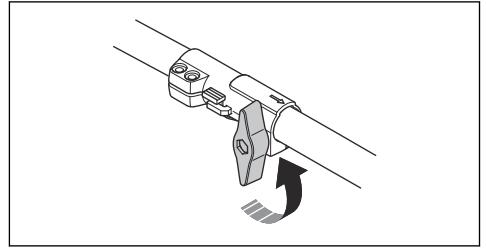


4. Dokręcić pokrętło do końca.

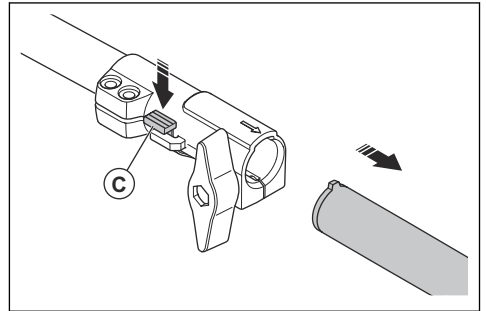


Demontaż wałka dwuczęściowego

1. Obrócić pokrętło o 3 obroty lub więcej, aby poluzować złącze.



2. Wcisnąć i przytrzymać przycisk (C).
3. Przytrzymać w końcu wałka, do którego jest przymocowany silnik.
4. Wyciągnąć końcówkę ze złączki.



Przegląd

Wstęp

<:fc 2>Poniżej podano kilka ogólnych zasad konserwacji.</fc> Jeśli potrzebujesz dodatkowych informacji, skontaktuj się z warsztatem obsługi technicznej.

Plan konserwacji

Poniżej znajduje się lista czynności konserwacyjnych, które należy wykonywać przy osprzęcie tnącym.

Uwaga: Użytkownikowi wolno wykonywać tylko te czynności konserwacyjne i serwisowe na osprzęcie tnącym, które są opisane w niniejszej instrukcji obsługi. Wszystkie inne prace konserwacyjne i serwisowe muszą zostać wykonane przez autoryzowany warsztat serwisowy.

Przegląd	Codzienne	Co tydzień	Co miesiąc
Oczyścić zewnętrzne części urządzenia.	X		
Upewnić się, czy ostrza nie są uszkodzone. Uszkodzone ostrza należy wymienić.	X		
Sprawdzić, czy osłona osprzętu tnącego nie jest uszkodzona. Wymienić osłonę osprzętu tnącego, jeśli jest uszkodzona.	X		
Upewnić się, że talerz dystansowy nie jest uszkodzony. Wymienić talerz dystansowy, jeżeli jest uszkodzony.	X		
Upewnić się, że wszystkie śruby i nakrętki są dokręcone.	X		
Smarować obudowę przekładni co ok. 100 godzin pracy.		X	

Czyszczenie i smarowanie ostrzy

- Oczyścić noże z niepożądanego materiału przed każdym użyciem produktu i po nim.
- Przed dłuższym okresem przechowywania urządzenia należy nasmarować ostrza.

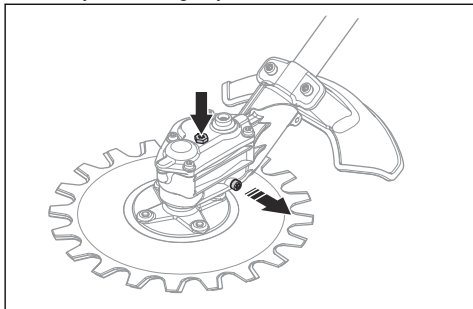
Uwaga: Dodatkowe informacje dotyczące zalecanych środków smarnych można uzyskać w centrum serwisowym.

Smarowanie obudowy przekładni



UWAGA: Nie napełniać obudowy przekładni do pełna. W przypadku całkowitego napełnienia obudowy przekładni smarem istnieje ryzyko uszkodzenia uszczelek i powstania wycieków smaru.

- Usunąć zatyczki smaru.
- Nałożyć smar na górny otwór.



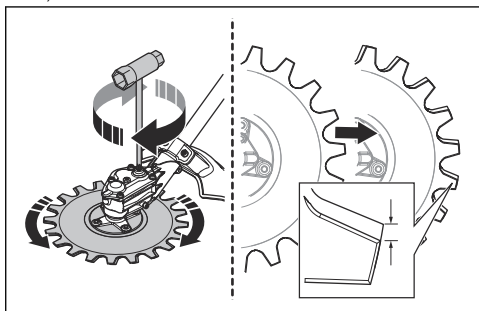
- Założyć zatyczki smaru.

Ostrzenie noży

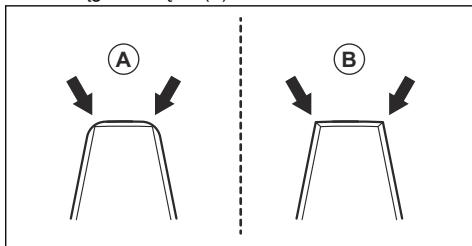


OSTRZEŻENIE: Podczas obchodzenia się z ostrzami należy używać rękawic ochronnych.

- Włożyć klucz dwustronny do gniazda obudowy przekładni.
- Obracać klucz dwustronny tak długo, aż różnica pomiędzy górnym i dolnym ostrzem wyniesie 3 mm / 0,12 cala.

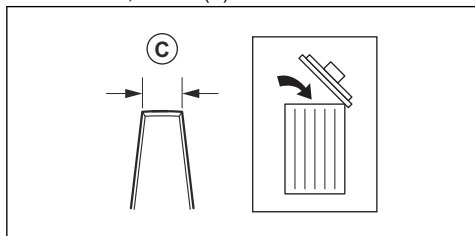


- Naostrzyć krawędzie (B), do których dostęp można uzyskać za pomocą szlifierki. Uważać, aby nie zaokrąglić krawędzi (A).



- Przekręć klucz dwustronny w przeciwnym kierunku, aby uzyskać dostęp do przeciwnych krawędzi.
- Naostrzyć krawędzie, do których dostęp można uzyskać za pomocą szlifierki.

6. Wymienić ostrza, gdy szerokość zęba jest mniejsza niż 8 mm/0,32 cala. (C).



Wymiana noży



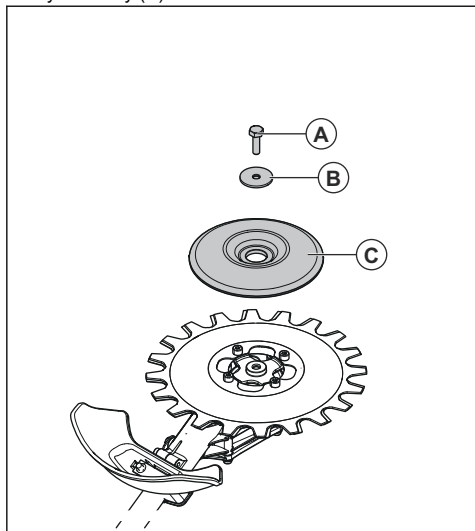
OSTRZEŻENIE: Podczas obchodzenia się z ostrzami należy używać rękawic ochronnych.



OSTRZEŻENIE: Aby zapewnić dobre wyważenie urządzenia i uniknąć drgań uchwytów, należy regularnie czyścić osprzęt tnący przy okazji wymiany ostrzy.

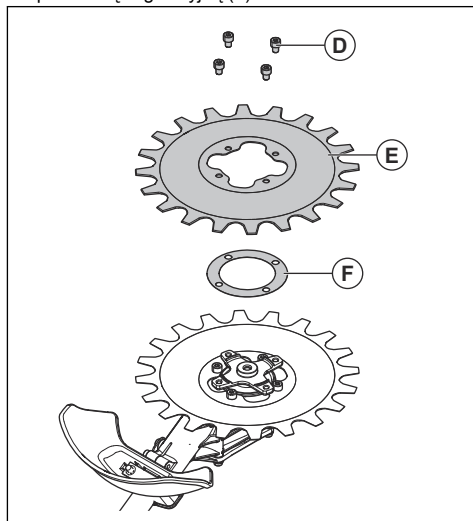
Uwaga: Ostrza są wymienne.

1. Wyjąć śrubę centralną (A), podkładkę (B) i talerz dystansowy (C).

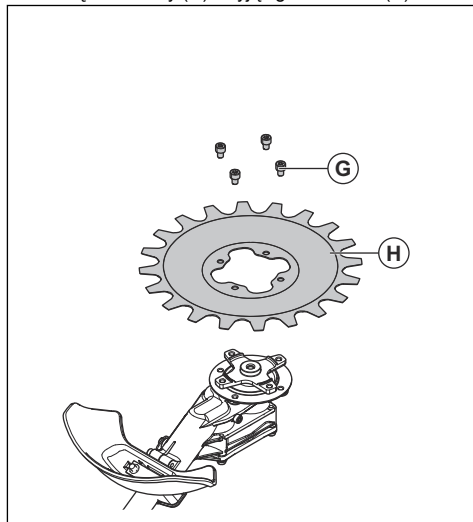


Uwaga: Śruba centralna jest lewoskrętna

2. Odkręcić 4 śruby (D), wyjąć dolne ostrze (E) oraz podkładkę regulacyjną (F).



3. Odkręcić 4 śruby (G) i wyjąć górne ostrze (H).



4. Zamontować ostrza w odwrotnej kolejności. Podczas montażu ostrzy należy równomiernie dokręcić śruby.

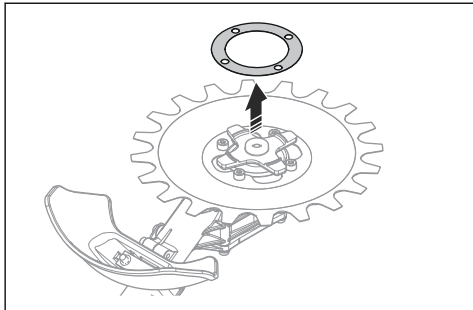
Regulacja odstępu między ostrzami



OSTRZEŻENIE: Podczas obchodzenia się z ostrzami należy używać rękawic ochronnych.

1. Zdemontować dolne ostrze, patrz *Wymiana noży na stronie 213*.

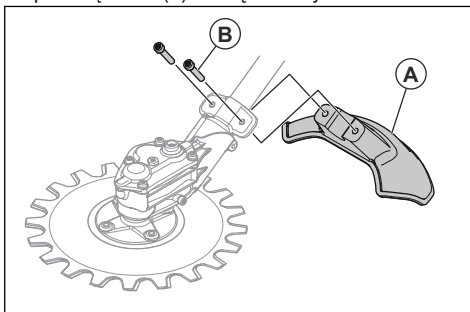
2. Zdjąć podkładkę regulacyjną.



Uwaga: Zachować podkładkę regulacyjną aż do wymiany ostrzy.

3. Zamontować dolne ostrze. Podczas montażu ostrzy należy równomiernie dokręcić śruby.

- Odkręcić 2 śruby (B) oraz zdjąć osłonę osprzętu tnącego (A).
- Przymocować nową osłonę osprzętu tnącego (A) za pomocą 2 śrub (B). Dokręcić śruby równomiernie.



Wymiana osłony osprzętu tnącego



OSTRZEŻENIE: Podczas obchodzenia się z ostrzami należy używać rękawic ochronnych

Transport, przechowywanie i utylizacja

Transport i przechowywanie

- Upewnić się, że osłona transportowa jest prawidłowo przymocowana do osprzętu tnącego, gdy produkt nie jest używany, jest transportowany lub znajduje się w magazynie.
- Osprzęt tnący należy przechowywać w zamkniętym obszarze w celu uniemożliwienia dzieciom lub

nieupoważnionym osobom uzyskania do niego dostępu.

- Podczas transportu należy bezpiecznie zamocować osprzęt tnący, aby zapobiec uszkodzeniom i wypadkom.
- Przed długim okresem przechowywania należy się upewnić się, że osprzęt jest czysty i został poddany pełnemu serwisowi.

Dane techniczne

Dane techniczne

RA850	
Masa	
Ciężar, kg	2,5
Emisja hałasu⁴⁹	
Zmierzony poziom mocy akustycznej, w dB(A)	102

⁴⁹ Emisję hałasu do otoczenia zmierzono jako moc akustyczną (L_{WA}) zgodnie z dyrektywą WE 2000/14/WE. Odnotowany poziom ciśnienia akustycznego dla urządzenia został zmierzony z oryginalnym osprzętem tnącym, takim który generuje najwyższy poziom hałasu. Różnica pomiędzy gwarantowanym a zmierzonym poziomem ciśnienia akustycznego wynika z tego, że poziom gwarantowany uwzględnia także rozproszenie w wynikach pomiaru oraz różnice pomiędzy różnymi urządzeniami o takim samym oznaczeniu modelowym zgodnie z dyrektywą 2000/14/WE.

RA850	
Poziom głośności, gwarantowana moc akustyczna L_{WA} dB(A)	105
Poziomy głośności⁵⁰	
Poziom ciśnienia akustycznego równoważny temu, na który narażony jest użytkownik urządzenia, mierzony zgodnie z normami: EN ISO 11806-1 oraz EN ISO 22868, dB(A)	
W zestawie zatwierdzone akcesorium (oryginalne)	90
Poziomy drgań⁵¹	
Równoważne poziomy drgań uchwytów ($a_{hv,eq}$), zmierzone na uchwytach zgodnie z normami: EN ISO 11806-1 oraz ISO 22867, m/s^2	
W zestawie zatwierdzone akcesorium (oryginalne), lewa/prawa	3,9/4,8
Noże	
Średnica, mm	230
Częstotliwość ostrzy, cięć/min	4600

⁵⁰ Odnotowane dane dotyczące równoważnego ciśnienia akustycznego urządzenia wykazują typowe rozproszenie statystyczne (odchylenie standardowe) w wysokości 1 dB(A).

⁵¹ Odnotowane dane dotyczące równoważnego poziomu drgań wykazują typowe rozproszenie statystyczne (odchylenie standardowe) w wysokości 1 m/s^2 .

Deklaracja zgodności WE

Deklaracja zgodności WE

Husqvarna AB, SE-561 82 Huskvarna, Szwecja, tel.: +46-36-146500, niniejszym zapewnia, że reciprocator attachment **Husqvarna RA850**, począwszy od maszyn wyprodukowanych w roku 2019 (rok produkcji jest podany przed numerem seryjnym na tabliczce znamionowej), są zgodne z przepisami zawartymi w DYREKTYWACH RADY:

- dyrektywie maszynowej **2006/42/WE** z 17 maja 2006 r.
- dyrektywie **2011/65/UE** z 8 czerwca 2011 r. dotyczącej ograniczenia użycia niektórych substancji niebezpiecznych w sprzęcie elektrycznym i elektronicznym.
- dyrektywie dotyczącej emisji hałasu do otoczenia **2000/14/WE** z 8 maja 2000 r. Ocena zgodności została przeprowadzona według załącznika V. Informacje dotyczące emisji hałasu można znaleźć w rozdziale Dane techniczne.

Zostały zastosowane następujące normy:

EN ISO 11806-1:2011, EN 50581:2012

RISE SMP Svensk Maskinprovning AB, Box 7035, SE-750 07 Uppsala, Sweden przeprowadziła dobrowolną kontrolę w imieniu firmy Husqvarna AB. Świadectwa noszą numery: **SEC/19/2528**

Huskvarna, 2019-03-11



Per Gustafsson, dyrektor ds. rozwoju (autoryzowany przedstawiciel Husqvarna AB oraz osoba odpowiedzialna za dokumentację techniczną)

ÍNDICE

Introdução.....	217	Manutenção.....	224
Segurança.....	219	Transporte, armazenamento e eliminação.....	227
Funcionamento.....	223	Especificações técnicas.....	227
Montagem.....	224	Declaração CE de conformidade.....	229

Introdução

Finalidade



ATENÇÃO: O acessório de corte apenas pode ser utilizado com produtos compatíveis. Consulte o manual do utilizador do produto.

O acessório de corte é utilizado para cortar relva e ramos.

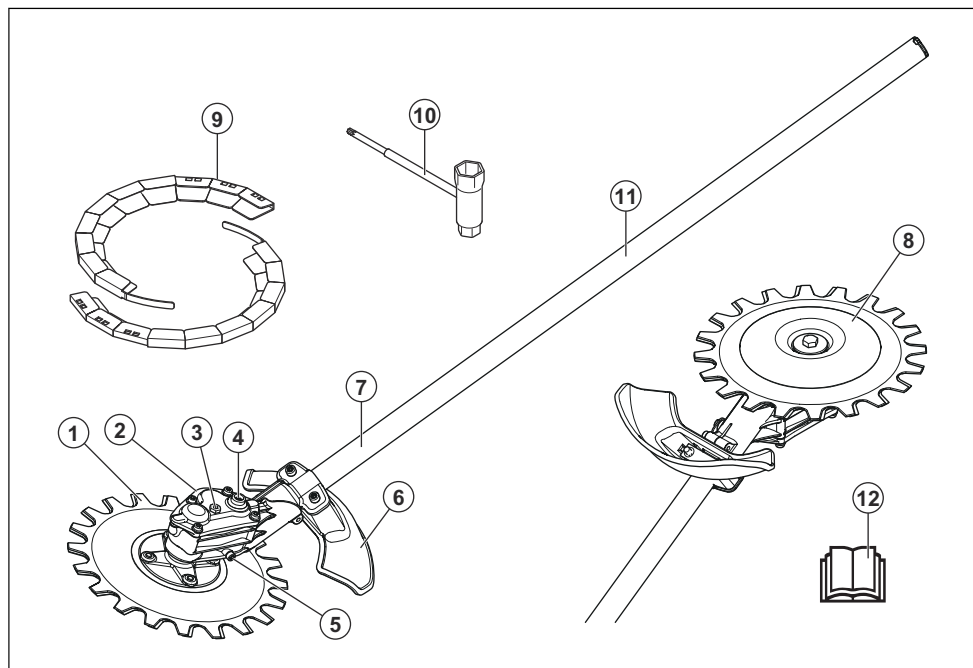
Nota: A legislação nacional pode limitar a utilização deste produto.

Descrição do produto

Seguimos uma política de desenvolvimento contínuo dos nossos produtos e, por conseguinte, reservamo-nos o direito de modificar o design e o aspeto dos mesmos, sem aviso prévio.

Nota: Este manual abrange ambas as unidades de potência, operadas a gasolina e a bateria.

Vista geral do acessório de corte



1. Lâmina
2. Caixa de engrenagem
3. Tampão superior para massa lubrificante
4. Tomada para deslocar as lâminas manualmente
5. Tampão inferior para massa lubrificante
6. Proteção do acessório de corte

7. Eixo
8. Copo de apoio
9. Proteção para transporte
10. Chave combinada
11. Autocolante de informação e aviso
12. Manual do utilizador

Símbolos no acessório e na unidade de potência



A utilização indevida ou incorreta deste acessório pode provocar ferimentos graves ou fatais no utilizador ou noutras pessoas.



Leia o manual do utilizador com atenção e certifique-se de que compreende as instruções antes de utilizar o acessório.



Utilize um capacete de proteção em locais onde possam cair objetos sobre si. Utilize protetores acústicos aprovados. Utilize proteção ocular aprovada.



Use sempre luvas de proteção aprovadas.



Use botas estáveis e antidesclizantes.



Máximo de cortes por minuto.



As setas mostram os limites para a posição do punho.



O produto pode causar a projeção de objetos, o que pode resultar em ferimentos.



Mantenha pessoas e animais a uma distância mínima de 15 m/50 pés durante o funcionamento do produto.



O utilizador tem de se certificar de que as pessoas e os animais não se aproximam a menos de 15 metros. Devido a vários operadores trabalhar em simultaneamente na mesma área, tem que haver uma distância de segurança de 15 metros pelo menos. O acessório pode arremessar violentamente objetos que podem fazer ricochete. Isso pode levar a graves lesões nos olhos no caso do equipamento de segurança recomendado não ser usado.



Emissões de ruído para o meio ambiente conforme diretiva da Comunidade Europeia. As emissões do acessório são indicadas no capítulo *Especificações técnicas na página 227* e na etiqueta.



Este acessório está em conformidade com as diretivas aplicáveis da CE.



O produto está em conformidade com as diretivas EAC aplicáveis.



O produto está em conformidade com as diretivas aplicáveis da Ucrânia



O produto está em conformidade com as diretivas de compatibilidade eletromagnética aplicáveis da Austrália e da Nova Zelândia.

yyyywwxxxx

O número de série está disponível na etiqueta de série. **yyyy** corresponde ao ano de produção e **ww** à semana de produção.

Nota: Os restantes símbolos/autocolantes existentes no acessório dizem respeito a exigências específicas para homologação em alguns países.

UE V



ATENÇÃO: A adulteração do motor anula a aprovação deste produto pela UE.

INSTRUÇÕES DE SEGURANÇA IMPORTANTES

Definições de segurança

Os avisos, as precauções e as notas são utilizados para indicar partes especialmente importantes do manual do utilizador.



ATENÇÃO: Utilizado no caso de existir risco de ferimento ou morte para o utilizador ou transeuntes, se não forem respeitadas as instruções do manual.



CUIDADO: Utilizado se existir risco de danos para o produto e/ou acessório, para outros materiais ou para a área adjacente, se não forem respeitadas as instruções do manual.

Nota: Utilizado para disponibilizar informações adicionais necessárias numa determinada situação.

Leia todas as instruções



ATENÇÃO: Quando utilizar ferramentas elétricas de jardinagem, deve respeitar sempre as seguintes precauções de segurança básicas de forma a minimizar o risco de choque elétrico, incêndio e ferimentos graves:

Instruções de segurança gerais



ATENÇÃO: Leia as instruções de segurança que se seguem antes de utilizar o acessório.

- Leia atentamente as instruções do manual do utilizador e certifique-se de que compreende o seu conteúdo antes de utilizar o acessório.
- Estas instruções complementam as instruções que foram incluídas com o produto. Para outros procedimentos, consulte as instruções de funcionamento do produto.
- Não é permitido modificar, em circunstância alguma, a configuração original do acessório sem a autorização expressa do fabricante. Não utilize um acessório que pareça ter sido modificado por outros e utilize sempre acessórios originais. A realização de modificações e/ou a utilização de acessórios não

autorizados podem provocar ferimentos pessoais graves ou perigo de vida para o utilizador ou terceiros.

- A sobre-exposição a vibrações pode levar a lesões arteriais ou nervosas em pessoas com problemas no sistema circulatório. Consulte um médico em caso de sintomas relacionados com a sobre-exposição a vibrações. Alguns desses sintomas são entorpecimento, perda de sensibilidade, formigueiro, pontadas, dor, perda de força, alterações na cor ou condição da pele. Estes sintomas surgem normalmente nos dedos, mãos ou pulsos. Estes sintomas são mais evidentes a temperaturas baixas.

Instruções de segurança para funcionamento



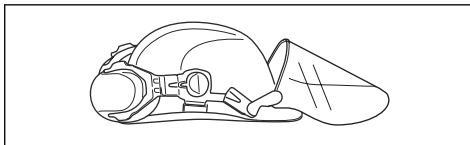
ATENÇÃO: Leia as instruções de aviso que se seguem antes de utilizar o produto.

- Utilize apenas o produto para operações descritas neste manual. Consulte *Finalidade na página 217*.
- Não utilize o produto se não tiver a certeza de que consegue trabalhar com ele.
- Não utilize este produto quando estiver cansado ou doente ou caso tenha consumido álcool, drogas ou medicamentos. Estas condições podem afetar a visão, o discernimento ou a coordenação motora.
- Não utilize o produto se não puder obter ajuda em caso de acidente.
- Não utilize o produto se existirem sinais de danos.
- Certifique-se de que o acessório de corte fica sempre parado quando o motor estiver ao ralenti.
- Certifique-se de que ninguém se aproxima a menos de 15 m/50 pés quando estiver a cortar. Certifique-se de que se encontram no local de trabalho apenas pessoas autorizadas.
- Não deixe que as crianças utilizem ou se aproximem do produto.
- Mantenha a área de trabalho limpa e iluminada. Não utilize o produto em condições atmosféricas desfavoráveis, por exemplo, com nevoeiro, chuva intensa, vento forte, frio intenso, risco de trovoadas, etc.
- Se algo ficar preso nas lâminas durante a utilização, desligue o motor e aguarde até que as lâminas parem de se mover. Remova a cobertura da vela de ignição/remova a bateria. Coloque a chave combinada no parafuso da caixa de engrenagem para mover as lâminas. Consulte *Para afiar as lâminas na página 225*.
- Se as lâminas ficarem danificadas durante a utilização, a lâmina superior e a lâmina inferior podem prender uma na outra. Não toque nas

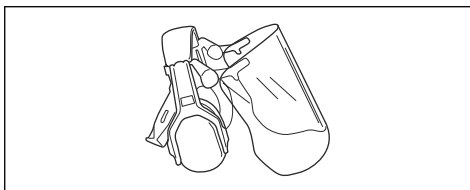
lâminas, pois podem mover-se de repente e causar ferimentos.

- Certifique-se de que está numa posição segura e estável durante o funcionamento.
- O produto pode causar a projeção de objetos a alta velocidade. Certifique-se de que todas as pessoas na área de trabalho utilizam equipamento de proteção pessoal aprovado. Retire os objetos soltos da área de trabalho.
- Monitorize a área de trabalho quando estiver a utilizar protetores acústicos. Retire os protetores acústicos sempre que o motor parar.
- Caso sinta uma vibração anormal no produto, pare o motor. Se utilizar um produto alimentado a gasolina, remova a cobertura da vela de ignição. Se possuir um produto alimentado a bateria, retire a bateria. Identifique imediatamente a causa. Regra geral, as vibrações são um aviso da existência de danos.
- Não se afaste do produto quando o motor estiver ligado.
- Segure o produto com as 2 mãos. Mantenha o produto à direita do seu corpo. Opere o produto com o acessório de corte abaixo da cintura.

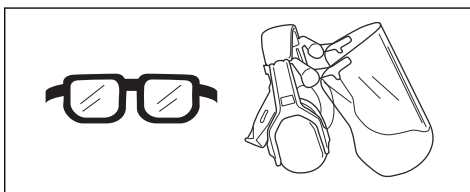
- Utilize um capacete de proteção caso exista o risco de objetos em queda.



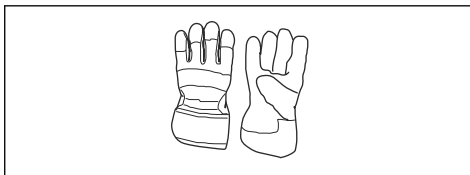
- A exposição prolongada a ruídos pode provocar danos auditivos. De modo geral, os produtos alimentados a bateria são relativamente silenciosos; porém, podem ocorrer danos resultantes de uma combinação de nível de ruído e utilização prolongada. A Husqvarna recomenda que os operadores utilizem protetores acústicos aquando da utilização prolongada de produtos ao longo do dia. Os operadores que utilizam contínua e regularmente estes produtos devem efetuar exames regulares à audição. Tenha em atenção que os protetores acústicos limitam a capacidade de ouvir sons e sinais de aviso.



- Utilize proteção ocular aprovada. Mesmo com viseira, é necessário utilizar óculos de proteção aprovados. É necessário que os óculos de proteção aprovados estejam em conformidade com a norma ANSI Z87.1 nos EUA ou a norma EN 166 nos países da UE.



- Utilize luvas sempre que necessário, por exemplo, ao examinar ou limpar o produto.



- O acessório de corte tem de cortar na direção oposta ao utilizador durante a utilização. Cortar na direção do utilizador pode causar ferimentos graves.
- Tenha cuidado para não aproximar as mãos e os pés das lâminas quando o motor estiver a trabalhar.

Equipamento de proteção pessoal



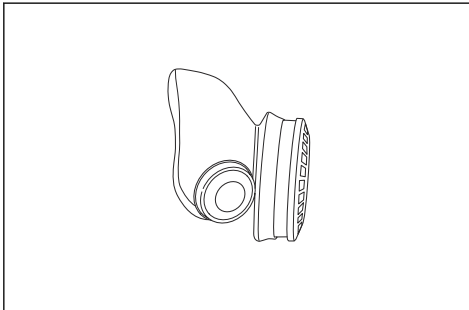
ATENÇÃO: Leia as instruções de aviso que se seguem antes de utilizar o produto.

- Utilize sempre equipamento de proteção pessoal aprovado ao utilizar o produto. O equipamento de proteção pessoal não previne totalmente os ferimentos mas diminui a respetiva gravidade em caso de acidente. Obtenha ajuda junto do seu concessionário para selecionar o equipamento certo.

- Utilize sapatos ou botas de proteção com solas antiderrapantes.



- Utilize vestuário fabricado com um tecido resistente. Utilize sempre calças e mangas compridas grossas. Não utilize vestuário largo que possa ficar preso em galhos e ramos. Não utilize joias, calções ou sandálias nem ande descalço. Coloque o seu cabelo acima dos ombros para maior segurança.
- Utilize proteção respiratória quando houver risco de poeira.



- Mantenha equipamentos de primeiros socorros sempre à mão.



Dispositivos de segurança no acessório



ATENÇÃO: Leia as instruções de aviso que se seguem antes de utilizar o acessório.

Esta secção contém as funcionalidades de segurança do acessório, a respetiva função e ainda a forma de se efetuar verificações e manutenção para garantir o funcionamento correto do mesmo. Para localizar estes componentes no seu acessório, consulte as instruções na secção *Vista geral do acessório de corte na página 217*.

Se a manutenção do acessório não for devidamente efetuada e se a assistência e/ou as reparações não

forem realizadas por profissionais, a vida útil do produto pode ser afetada e o risco de acidentes pode aumentar. Para obter mais informações, contacte o seu revendedor local.



ATENÇÃO: Nunca utilize um acessório com componentes de segurança defeituosos. O equipamento de segurança do acessório tem de ser inspecionado e a respetiva manutenção efetuada conforme descrito nesta secção. Se o acessório falhar alguma destas verificações, contacte uma oficina autorizada para a respetiva reparação.



ATENÇÃO: Todos os trabalhos de manutenção e reparação do produto requerem formação especializada. Isto aplica-se especialmente ao equipamento de segurança do produto. Se o produto falhar alguma das verificações que se seguem, é necessário contactar a sua oficina autorizada. A compra de qualquer um dos nossos produtos garante-lhe a obtenção de reparação e assistência profissionais. Se o local da compra do produto não for um dos nossos revendedores com assistência técnica, solicite a morada da oficina autorizada mais próxima.

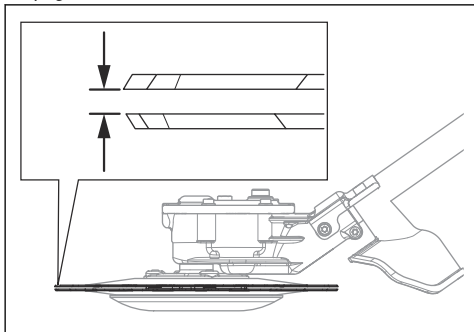
Verificar o acessório de corte e a proteção do acessório de corte



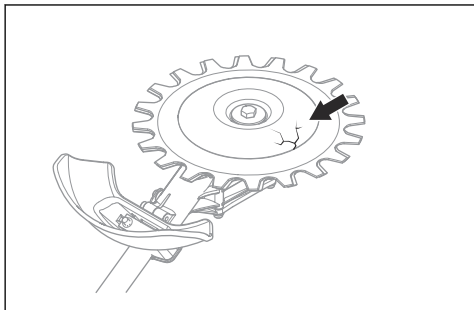
ATENÇÃO: Não utilize um acessório de corte sem que esteja montada a respetiva proteção do acessório de corte aprovada. Caso esteja montada uma proteção do acessório de corte incorreta ou defeituosa, tal pode causar ferimentos.

1. Pare o motor e certifique-se de que o equipamento de corte para.
2. Se utilizar um produto alimentado a gasolina, remova a cobertura da vela de ignição. Se utilizar um produto alimentado a bateria, retire a bateria do produto.
3. Calce as luvas de proteção.
4. Certifique-se de que as lâminas não estão danificadas. Substitua as lâminas se estiverem danificadas. Consulte *Substituir as lâminas na página 226*.

5. Examine as lâminas. Certifique-se de que não existem folgas entre as lâminas. Se existirem folgas entre as lâminas, estas têm de ser ajustadas. Consulte *Para ajustar a folga entre as lâminas na página 226*.

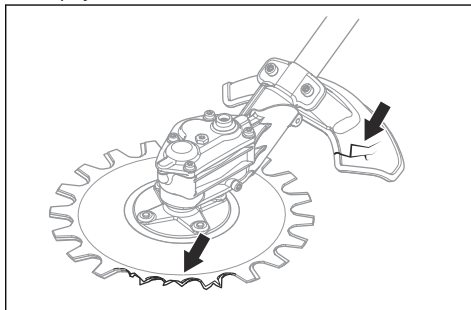


6. Certifique-se de que a base de apoio não está danificada. Substitua a base de apoio, caso esteja danificada.



7. Certifique-se de que os parafusos do acessório de corte estão apertados.

8. Certifique-se de que as lâminas e a proteção do acessório de corte não estão danificadas. Substitua as peças danificadas.



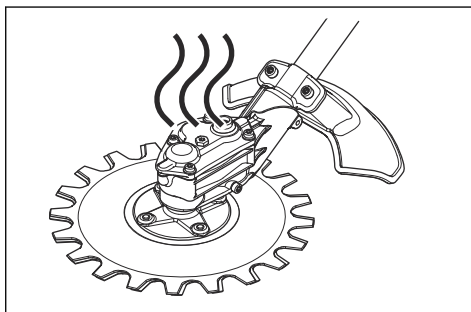
Instruções de segurança para manutenção



ATENÇÃO: O acessório de corte pode continuar a rodar depois de libertar o interruptor de alimentação/aceleração. Se utilizar um produto alimentado a gasolina, remova a cobertura da vela de ignição. Se utilizar um produto alimentado a bateria, retire a bateria do produto. Certifique-se de que o acessório de corte parou totalmente antes de prestar manutenção.



ATENÇÃO: A caixa de engrenagem aquece durante a utilização do produto. As superfícies quentes podem queimá-lo, pelo que não deve tocar na caixa de engrenagem.



- Utilize sempre luvas resistentes ao reparar o acessório de corte. O equipamento de corte é muito afiado e pode causar cortes com facilidade.

- Utilize apenas peças originais nas reparações.

GUARDE ESTAS INSTRUÇÕES

Funcionamento

A técnica de trabalho



ATENÇÃO: Os ramos ou a relva podem ficar presos entre a proteção de acessório de corte e o acessório de corte. Pare sempre o motor antes de limpar o acessório de corte.

- Utilize a aceleração/velocidade total durante os trabalhos de corte e diminua para a velocidade de ralenti após cada corte.

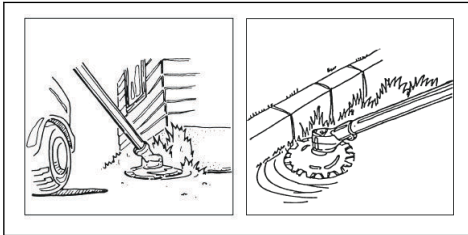


CUIDADO: O motor pode sofrer danos caso funcione durante períodos longos à aceleração total sem carga.

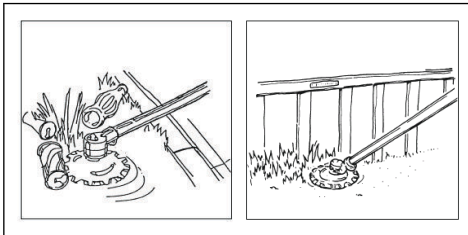
Utilização recomendada do acessório de corte

As lâminas do acessório de corte movem-se a um ângulo pequeno e conseguem cortar em todas as direções. Mova o acessório de corte ao longo do chão a uma altura em que a base de apoio toque no chão. Utilize o acessório de corte para cortar:

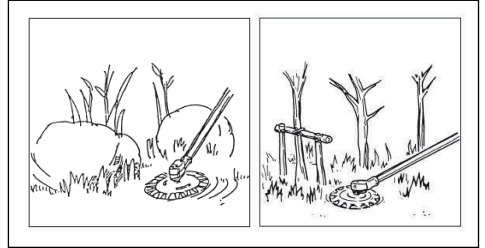
- Áreas de parque e delimitações de estrada.



- Bermas de estrada e perto de cercas.



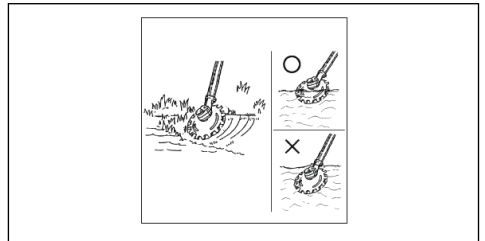
- Em redor de pedras e árvores.



- Perto de água.



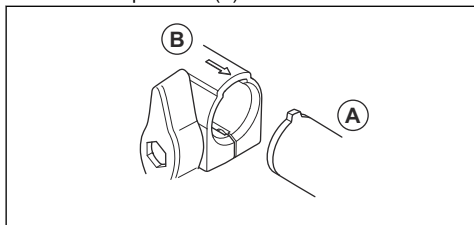
CUIDADO: Não mergulhe a caixa de engrenagem na água.



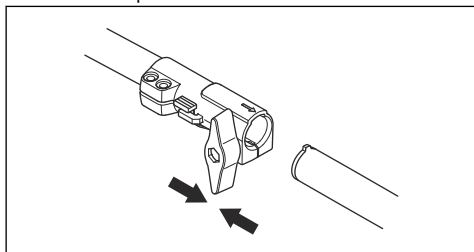
Montagem

Montar o eixo de duas peças

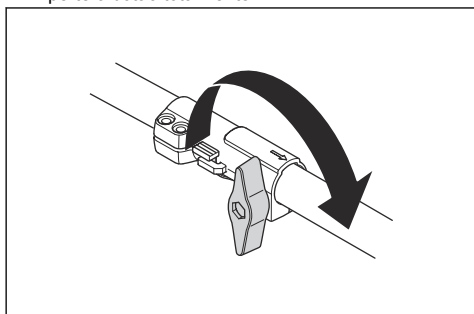
1. Rode o botão para desapertar o acoplamento.
2. Alinhe a saliência do acessório de corte (A) com a seta do acoplamento (B).



3. Empurre cuidadosamente o eixo no acoplamento até ouvir um clique.

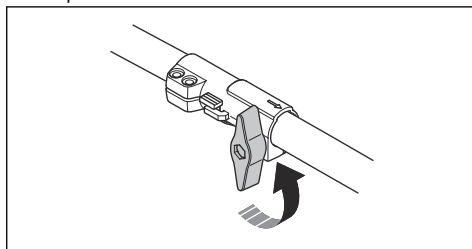


4. Aperte o botão totalmente.

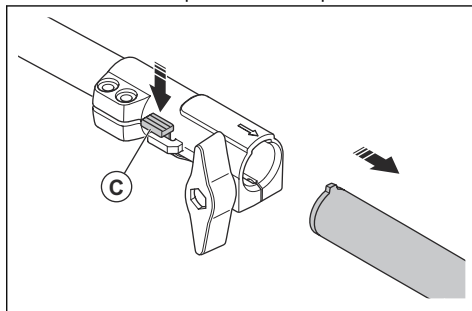


Desmontar o eixo de duas peças

1. Rode o botão três voltas para desapertar o acoplamento.



2. Carregue e mantenha o botão (C).
3. Segure firmemente na extremidade do eixo ao qual o motor está fixado.
4. Puxe o acessório para fora do acoplamento.



Manutenção

Introdução

Seguem abaixo algumas instruções gerais de manutenção. Se necessitar de maiores informações, consulte uma oficina autorizada.

Esquema de manutenção

É necessário realizar as tarefas de manutenção abaixo no acessório de corte.

Nota: O utilizador só pode efetuar, no acessório de corte, as tarefas de manutenção e de assistência indicadas neste manual do utilizador. Os outros trabalhos de manutenção e assistência têm de ser realizados por uma oficina aprovada.

Manutenção	Diaria-mente	Semanal-mente	Mensal-mente
Limpe os componentes externos do produto.	X		
Certifique-se de que as lâminas não estão danificadas. Substitua as lâminas se estiverem danificadas.	X		
Certifique-se de que a proteção do equipamento de corte não está danificada. Substitua a proteção do equipamento de corte, caso esteja danificada.	X		
Certifique-se de que a base de apoio não está danificada. Substitua a base de apoio, caso esteja danificada.	X		
Certifique-se de que os parafusos e as porcas estão apertados.	X		
Encha a caixa de engrenagem com massa lubrificante, aproximadamente, a cada 100 horas de trabalho.		X	

Limpar e lubrificar as lâminas

1. Limpe os materiais indesejados das lâminas antes e depois de utilizar o produto.
2. Lubrifique as lâminas antes de longos períodos de armazenamento.

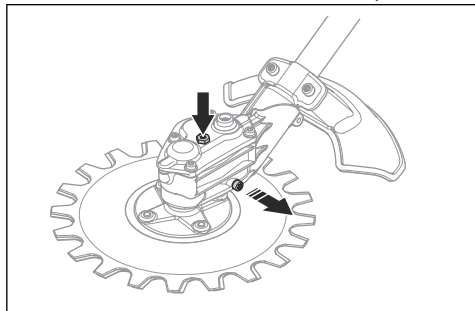
Nota: Para mais informações sobre os lubrificantes e os agentes de limpeza recomendados, contacte o seu revendedor com assistência técnica.

Para lubrificar a caixa de engrenagem



CUIDADO: Não encha completamente a caixa de engrenagem. Se a caixa de engrenagem estiver cheia, a massa lubrificante pode causar danos nos vedantes e causar fugas.

1. Remova os tampões para massa lubrificante.
2. Adicione massa lubrificante no orifício superior.



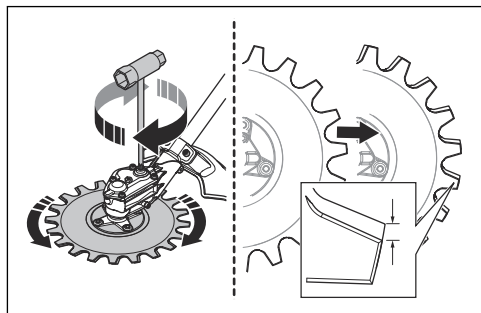
3. Instale os tampões para massa lubrificante.

Para afiar as lâminas

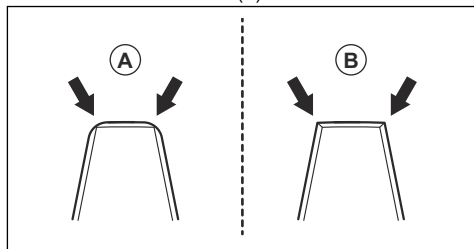


ATENÇÃO: Utilize luvas de proteção quando tocar nas lâminas.

1. Coloque a chave combinada no parafuso da caixa de engrenagem.
2. Rode a chave combinada até que haja uma diferença de 3 mm/0,12 pol. entre a lâmina superior e a lâmina inferior.

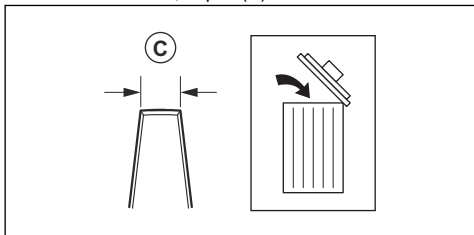


3. Afie as extremidades (B) a que pode aceder com um amolador. Certifique-se de que não torna as extremidades arredondas (A).



4. Rode a chave combinada na direção oposta para obter acesso às extremidades opostas.

- Afie as extremidades a que pode aceder com um amolador.
- Substitua as lâminas quando a largura do dente for inferior a 8 mm/0,32 pol. (C).



Substituir as lâminas



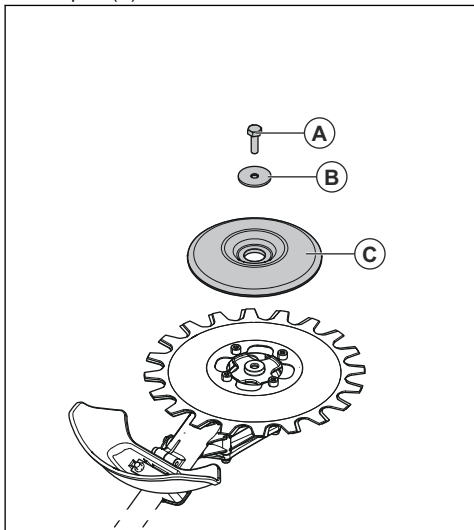
ATENÇÃO: Utilize luvas de proteção quando tocar nas lâminas.



ATENÇÃO: Para evitar o desequilíbrio e a vibração no produto, limpe o acessório de corte quando substituir as lâminas.

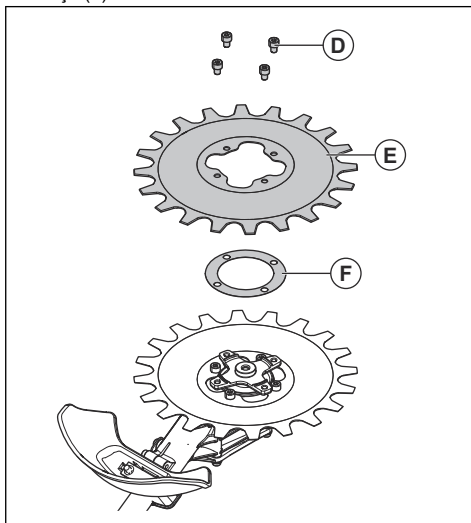
Nota: As lâminas são permutáveis.

- Retire o parafuso central (A), a anilha (B) e a base de apoio (C).

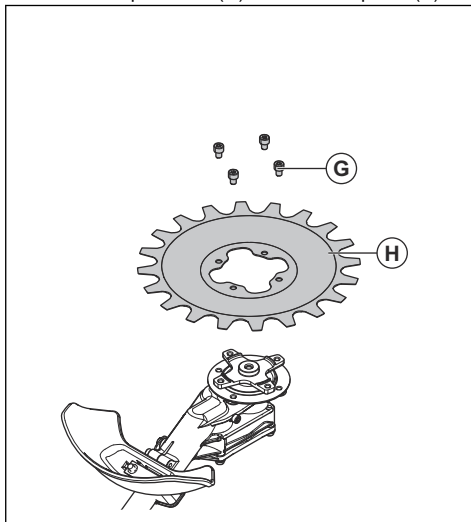


Nota: O parafuso central tem rosca à esquerda

- Retire os 4 parafusos (D), a lâmina inferior (E) e o calço (F).



- Retire os 4 parafusos (G) e a lâmina superior (H).



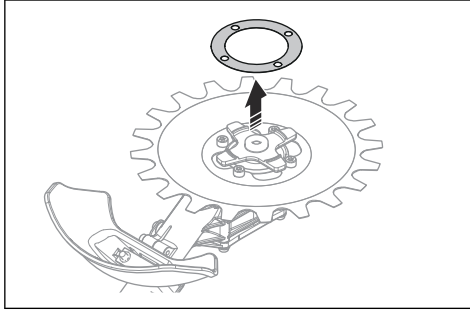
- Instale as lâminas na sequência oposta. Aperte os parafusos uniformemente quando instalar as lâminas.

Para ajustar a folga entre as lâminas



ATENÇÃO: Utilize luvas de proteção quando tocar nas lâminas.

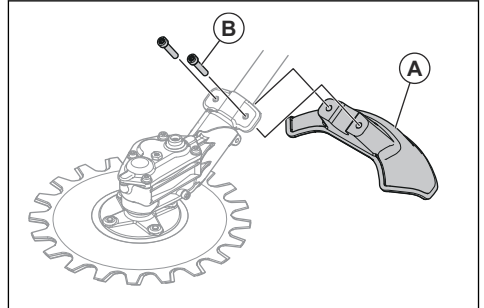
1. Retire a lâmina inferior. Consulte *Substituir as lâminas na página 226*.
2. Retire o calço.



Nota: Guarde o calço até ser necessário substituir as lâminas.

3. Instale a lâmina inferior. Aperte os parafusos uniformemente quando instalar as lâminas.

- Retire os 2 parafusos (B) e a proteção do acessório de corte (A).
- Instale a nova proteção do acessório de corte (A) com os 2 parafusos (B). Aperte os parafusos com a mesma força.



Para substituir a proteção do acessório de corte



ATENÇÃO: Utilize luvas de proteção quando tocar nas lâminas.

Transporte, armazenamento e eliminação

Transporte e armazenagem

- Certifique-se de que a proteção para transporte está montada corretamente no acessório de corte quando não utilizar o produto, quando o transportar ou o armazenar.
- Mantenha o acessório de corte numa área trancada para impedir o acesso de crianças ou pessoas que não disponham de aprovação.

- Monte o acessório de corte com segurança durante o transporte para prevenir danos e acidentes.
- Certifique-se de que o acessório de corte está limpo e que é realizada uma manutenção completa antes de o armazenar por um período prolongado.

Especificações técnicas

Especificações técnicas

RA850	
Peso	
Peso, kg	2,5

RA850	
Emissões de ruído⁵²	
Nível de potência sonora, dB(A) medidos	102
Nível de potência sonora, garantido L_{WA} , dB(A)	105
Níveis sonoros⁵³	
Nível de pressão sonora equivalente, ao nível do ouvido do utilizador, medido de acordo com as normas EN ISO 11806-1 e EN ISO 22868, dB(A)	
Equipado com acessório aprovado (original)	90
Níveis de vibração⁵⁴	
Níveis de vibração equivalentes ($a_{hv,eq}$) nos punhos, medidos de acordo com as normas EN ISO 11806-1 e ISO 22867, m/s^2	
Equipado com acessório aprovado (original), esquerda/direita	3,9/4,8
Lâminas	
Diâmetro, mm	230
Velocidade da faca, cortes/min	4600

⁵² Emissões de ruído para as imediações, medidas sob forma de potência sonora (L_{WA}) em conformidade com a diretiva da CE 2000/14/CE. O nível de potência sonora registado para a máquina foi medido com o equipamento de corte original que debita o nível mais alto. A diferença entre a potência sonora garantida e medida é que a potência sonora garantida inclui também a dispersão no resultado da medição e as variações entre diferentes máquinas do mesmo modelo, de acordo com a diretiva 2000/14/CE.

⁵³ os dados registados para o nível de pressão sonora equivalente para a máquina têm uma dispersão estatística típica (desvio padrão) de 1 dB(A).

⁵⁴ os dados comunicados relativamente ao nível de vibração equivalente têm uma dispersão estatística típica (desvio padrão) de 1 m/s^2 .

Declaração CE de conformidade

Declaração CE de conformidade

A **Husqvarna AB**, SE-561 82 Huskvarna, Suécia, tel: +46-36-146500, declara que o reciprocator attachment **Husqvarna RA850** com números de série de 2019 e posteriores (o ano é claramente indicado na etiqueta de tipo, seguido do número de série), cumpre as disposições constantes na DIRETIVA DO CONSELHO:

- de 17 de maio de 2006, "referente a máquinas" **2006/42/CE**.
- de 8 de junho de 2011 "relativa à restrição do uso de determinadas substâncias perigosas em equipamento elétrico e eletrônico" **2011/65/UE**.
- de 8 de maio de 2000, "referente a emissões de ruído para o ambiente" **2000/14/CE**. Avaliação de conformidade efetuada de acordo com as disposições do Anexo V. Para informações referentes às emissões de ruído, consulte o capítulo Especificações técnicas.

Foram respeitadas as seguintes normas:

EN ISO 11806-1:2011, EN 50581:2012

RISE SMP Svensk Maskinprovning AB, Box 7035, SE-750 07 Uppsala, Sweden emitiu uma aprovação voluntária para a Husqvarna AB. Os certificados têm os números: **SEC/19/2528**

Huskvarna, 2019-03-11



Per Gustafsson, Chefe de Desenvolvimento
(representante autorizado da Husqvarna AB e responsável pela documentação técnica)

CUPRINS

Introducere.....	230	Întreținerea.....	237
Siguranță.....	232	Transportul, depozitarea și eliminarea.....	240
Funcționarea.....	236	Date tehnice.....	240
Asamblarea.....	237	Declarație de conformitate CE.....	242

Introducere

Domeniul de utilizare



AVERTISMENT: Accesoriul de tăiere trebuie utilizat numai împreună cu produse compatibile. Consultați manualul operatorului pentru produs.

Accesoriul de tăiere este utilizat pentru a tăia iarbă și crengi.

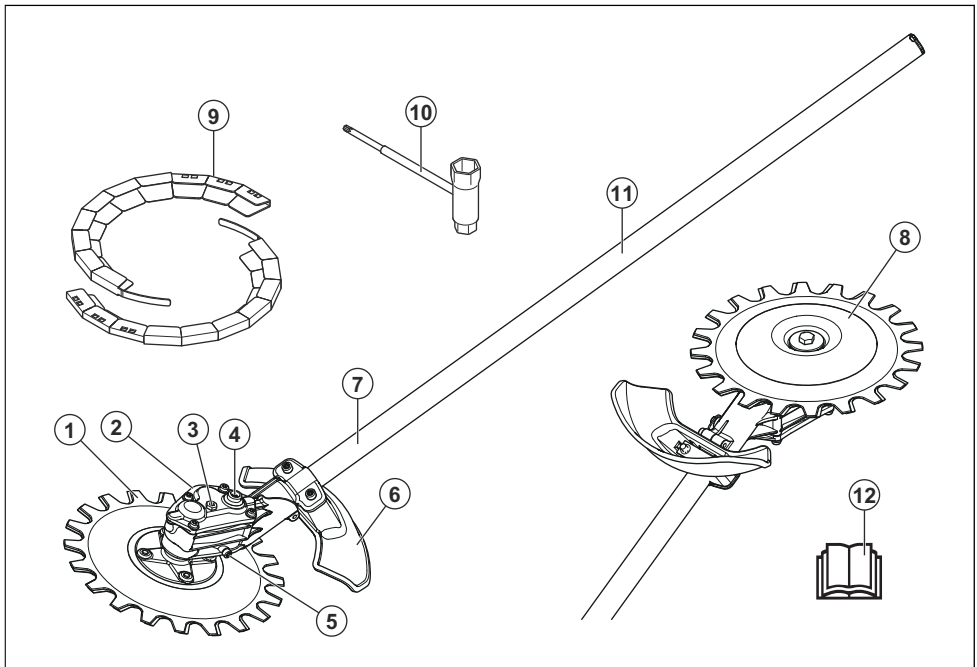
Nota: Reglementările la nivel național pot stabili limite ale funcționării produsului.

Descrierea produsului

Avem o politică de îmbunătățire continuă a produselor și, prin urmare, ne rezervăm dreptul de a modifica proiectul și aspectul produselor fără preaviz.

Nota: Acest manual acoperă atât sursele de alimentare care funcționează cu benzină, cât și cele care funcționează cu baterie.

Prezentare generală a accesoriului de tăiere



1. Disc
2. Carcasă angrenaj
3. Dop superior pentru unsoare
4. Lăcaș pentru mișcarea manuală a discurilor
5. Dop inferior pentru unsoare
6. Apărătoare pentru accesoriul de tăiere

7. Arbore
8. Cupă de susținere
9. Apărătoare pentru transport
10. Cheie combinată
11. Autocolant de avertisment și cu informații
12. Manualul operatorului

Simbolurile de pe accesoriu și de pe sursa de alimentare



Utilizarea neatentă sau incorectă a acestui accesoriu poate cauza vătămări corporale grave sau mortale operatorului sau altor persoane.



Citiți cu atenție manualul operatorului și asigurați-vă că înțelegeți instrucțiunile înainte de a utiliza accesoriul.



Utilizați o cască de protecție în locuri unde pot cădea obiecte pe dvs. Utilizați un sistem omologat de protecție a auzului. Utilizați ochelari de protecție omologați.



Purtați întotdeauna mănuși de protecție omologate.



Purtați ghete solide, cu talpă antiaderentă.



Număr maxim de tăieri pe minut.



Săgețile indică limitele de poziție a mânerului.



Produsul poate determina proiectarea de obiecte, ceea ce poate produce vătămări corporale.



Păstrați o distanță de minimum 15 m / 50 ft față de persoane și animale în timpul utilizării produsului.



Operatorul trebuie să se asigure că nicio persoană și niciun animal nu se apropie la mai mult de 15 metri. Când mai mulți operatori lucrează în aceeași locație, trebuie să se practice o distanță de siguranță de cel puțin 15 metri. Accesoriul poate azvârlii cu forță obiecte care pot ricoșa înapoi. Dacă nu se utilizează echipamentul de siguranță recomandat, acest lucru poate conduce la vătămări oculare grave.



Emisii de zgomot în mediu conform Directivei Comunității Europene. Nivelul de emisii al accesoriului este specificat în capitolul *Date tehnice la pagina 240* și pe etichetă.



Acest accesoriu este conform cu directivele UE aplicabile.



Produsul este în conformitate cu directivele EAC aplicabile.



Produsul este în conformitate cu directivele aplicabile în Ucraina



Produsul este în conformitate cu directivele aplicabile din Australia și Noua Zeelandă referitoare la compatibilitatea electromagnetică.

aaaassxxxx

Eticheta cu seria indică seria. **aaaa** este anul de producție și **ss** este săptămâna de producție.

Nota: Alte simboluri/etichete de pe accesoriu se referă la cerințe de certificare specifice pentru anumite piețe.

EU V



AVERTISMENT: În urma modificării neautorizate a motorului, este anulată aprobarea de tip UE pentru acest produs.

INSTRUCȚIUNI DE SIGURANȚĂ IMPORTANTE

Definiții privind siguranța

Avertizările, atenționările și notele sunt utilizate pentru a desemna părți foarte importante din manualul operatorului.



AVERTISMENT: Se utilizează dacă există risc de vătămare sau de deces pentru operator sau pentru trecători, în cazul în care instrucțiunile din manual nu sunt respectate.



ATENȚIE: Se utilizează dacă există un risc de deteriorare a produsului și/sau a accesoriului, a altor materiale sau a zonelor învecinate, dacă instrucțiunile din manual nu sunt respectate.

Nota: Se utilizează pentru a furniza mai multe informații care sunt necesare într-o situație dată.

Citiți toate instrucțiunile



AVERTISMENT: Când utilizați motounelte pentru grădină, trebuie să respectați întotdeauna măsurile de protecție elementare pentru a reduce riscul de producere a incendiilor, de electrocutare și vătămări corporale, inclusiv următoarele:

Instrucțiuni generale de siguranță



AVERTISMENT: Înainte de a utiliza accesoriul, citiți instrucțiunile de siguranță de mai jos.

- Vă rugăm să citiți cu atenție manualul operatorului și să vă asigurați că înțelegeți instrucțiunile înainte de a utiliza accesoriul.
- Aceste instrucțiuni completează instrucțiunile furnizate împreună cu produsul. Pentru alte proceduri, consultați instrucțiunile de utilizare ale produsului.
- Nu modificați sub nicio formă proiectul accesoriului fără permisiunea producătorului. Nu folosiți un accesoriu care pare să fi fost modificat de alte persoane și utilizați întotdeauna accesoriile originale. Modificările și/sau accesoriile neautorizate pot avea

drept rezultat vătămări corporale grave sau decesul operatorului sau al altor persoane.

- Expunerea prelungită la vibrații poate conduce la afecțiuni circulatorii sau la deteriorări ale nervilor la persoane care au o circulație defectuoasă. Contactați-vă medicul dacă prezentați simptome de expunere prelungită la vibrații. Astfel de simptome includ amorțeală, pierderea sensibilității tactile, gâdilături, ciupituri, durere, pierderea forței, modificări în culoarea sau starea pielii. Aceste simptome apar în mod normal la degete, la mâini sau la încheieturi. Aceste simptome se pot accentua în condiții de temperatură redusă.

Instrucțiuni de siguranță pentru utilizare



AVERTISMENT: Înainte de a utiliza produsul, citiți instrucțiunile de avertizare de mai jos.

- Utilizați produsul numai pentru operațiile care sunt indicate în acest manual. Consultați *Domeniul de utilizare la pagina 230*.
- Nu utilizați produsul dacă nu sunteți sigur că îl puteți utiliza.
- Nu operați niciodată acest produs atunci când sunteți obosit, bolnav sau dacă ați consumat alcool, droguri sau ați luat medicamente. Acestea vă pot reduce vederea, judecata sau coordonarea.
- Nu utilizați produsul dacă nu puteți primi ajutor în caz de accident.
- Nu utilizați produsul dacă există semne de deteriorare.
- Asigurați-vă că accesoriul de tăiere se oprește întotdeauna când motorul este la turația de mers în gol.
- Asigurați-vă că nimeni nu se află în apropiere, la o distanță mai mică de 15 m / 50 ft atunci când tăiați. Asigurați-vă că numai persoanele autorizate se află în zona de lucru.
- Nu permiteți copiilor să folosească sau să se apropie de produs.
- Păstrați zona de lucru curată și strălucitoare. Nu utilizați produsul pe vreme rea, de exemplu pe ceață, ploaie abundentă, pe vânt puternic, la temperaturi foarte scăzute, risc de descărcări electrice.
- Dacă un obiect se prinde în discuri în timpul funcționării, opriți motorul și așteptați până când se opresc discurile. Scoateți pipa bujiei din bujie/ scoateți bateria. Introduceți cheia combinată în lăcașul carcasei angrenajului pentru a deplasa discurile, consultați *Ascuzirea discurilor la pagina 238*.
- În cazul în care discurile se deteriorează în timpul funcționării, discul superior și discul inferior se pot

prinde unul în celălalt. Nu atingeți discurile, acestea se pot mișca brusc și pot cauza vătămări.

- Asigurați-vă că sunteți într-o poziție sigură și stabilă în timpul operării.
- Produsul poate cauza aruncarea obiectelor la turaj ridicat. Asigurați-vă că toate persoanele din zona de lucru utilizează echipamentul aprobat de protecție personală. Înlăturați obiectele libere din zona de lucru.
- Monitorizați zona de lucru atunci când purtați echipamente de protecție pentru auz. Îndepărtați întotdeauna echipamentele de protecție pentru auz după ce se oprește motorul.
- Dacă produsul prezintă vibrații neobișnuite, opriți motorul. Dacă aveți un produs care funcționează cu benzină, scoateți pipa bujiei din bujie. Dacă aveți un produs care funcționează cu baterie, scoateți bateria. Verificați imediat cauza. În general, astfel de vibrații indică o deteriorare.
- Nu vă îndepărtați de produs atunci când motorul este pornit.
- Țineți produsul cu ambele mâini. Țineți produsul pe partea dreaptă a corpului. Operați produsul cu accesoriul de tăiere amplasat sub nivelul taliei.



- Accesoriul de tăiere trebuie să efectueze tăierea la distanță de operator. Tăierea în direcția operatorului poate cauza vătămări grave.
- Asigurați-vă că mâinile și picioarele nu se apropie de discuri atunci când motorul este pornit.

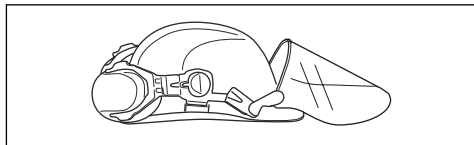
Echipament de protecție personală



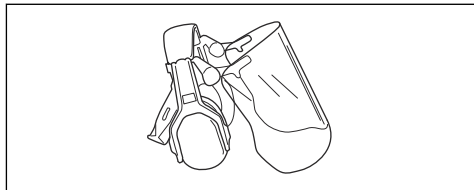
AVERTISMENT: Înainte de a utiliza produsul, citiți instrucțiunile de avertizare de mai jos.

- Utilizați întotdeauna echipamente de protecție personală atunci când folosiți produsul. Echipamentele de protecție personală nu pot elimina complet riscul de rănire, însă pot reduce gravitatea rănilor în cazul unui accident. Distribuitorul vă poate ajuta să alegeți echipamentul corect.

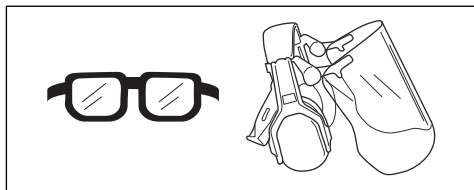
- Utilizați o cască de protecție în caz că există riscul ca unele obiecte să cadă.



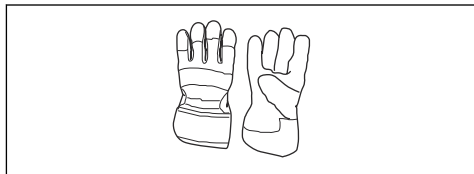
- Expunerea pe termen lung la zgomot vă poate afecta auzul. În general, produsele alimentare cu baterii sunt relativ silențioase, dar pot afecta auzul în urma unei combinații de nivel de zgomot și durată mare de utilizare. Husqvarna recomandă ca operatorii să utilizeze protecții auditive atunci când utilizează produse pentru o durată coerentă mai lungă de o zi. Operatorii care utilizează în mod continuu și regulat aparatul trebuie să efectueze un control auditiv în mod regulat. Rețineți că protecțiile auditive limitează capacitatea de a auzi sunete și semnale de avertisment.



- Utilizați ochelari de protecție omologați. Dacă utilizați un vizor de protecție, trebuie să purtați și ochelari de protecție. Ochelarii de protecție trebuie să fie conformi cu standardul ANSI Z87.1 în S.U.A. sau EN 166 în țările din UE.



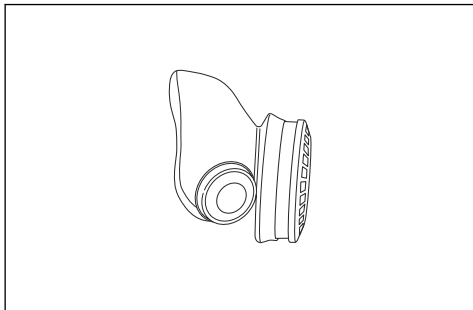
- Purtați mănuși atunci când este necesar, de exemplu atunci când inspectați sau curățați produsul.



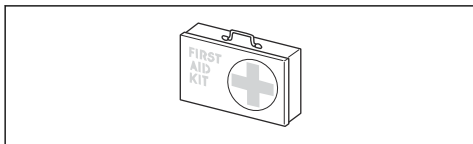
- Utilizați cizme sau pantofi de protecție cu tălpi anti-alunecare.



- Purtați haine din țesături rezistente. Purtați întotdeauna pantaloni lungi, din material gros, și îmbrăcăminte cu mâneci lungi. Nu purtați haine largi, care se pot prinde în smicele și ramuri. Nu purtați bijuterii, pantaloni scurți, pantofi decupați și nu lucrați în picioarele goale. Strângeți-vă părul în siguranță, deasupra umerilor.
- Utilizați protecție respiratorie când există pericolul de generare a prafului.



- Păstrați la îndemână echipament de prim ajutor.



Dispozitivele de siguranță de pe accesoriu



AVERTISMENT: Înainte de a utiliza accesoriul, citiți instrucțiunile de avertizare de mai jos.

În această secțiune sunt cuprinse caracteristicile de siguranță ale accesoriului, scopul său și modul în care trebuie efectuate verificările și întreținerea pentru a asigura funcționarea corectă. A se vedea instrucțiunile din capitolul *Prezentare generală a accesoriului de tăiere la pagina 230* pentru a ști unde sunt amplasate aceste piese pe accesoriul dvs.

Durata de viață a accesoriului se poate reduce, iar pericolul de accidente se poate mări dacă întreținerea

accesoriului nu este efectuată corect, iar reglarea și/sau reparațiile nu sunt executate în mod profesional. Dacă aveți nevoie de informații suplimentare, contactați cel mai apropiat furnizor de service.



AVERTISMENT: Nu utilizați niciodată un accesoriu cu componente de siguranță deteriorate. Echipamentul de siguranță al accesoriului trebuie inspectat și întreținut conform indicațiilor din acest capitol. Dacă accesoriul nu trece oricare dintre următoarele verificări, contactați agentul de service pentru reparații.



AVERTISMENT: Toate operațiunile de service și de reparații asupra produsului necesită instruire specială. Acest lucru se aplică în special cu privire la echipamentele de siguranță ale produsului. În cazul în care produsul dvs. nu are rezultat pozitiv la oricare dintre verificările descrise mai jos, trebuie să contactați agentul de service local. Atunci când achiziționați oricare dintre produsele noastre, garantăm disponibilitatea reparațiilor și service-ului profesionist. Dacă distribuitorul care comercializează produsul nu este dealer de service, solicitați-i adresa celui mai apropiat agent de service.

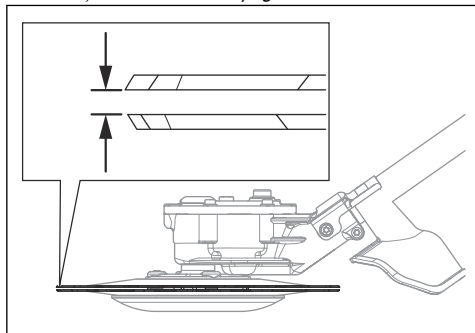
Verificarea accesoriului de tăiere și a apărătorii accesoriului de tăiere



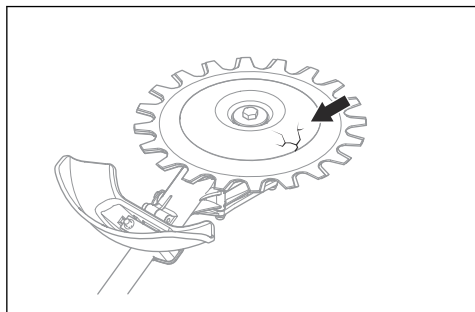
AVERTISMENT: Nu utilizați un accesoriu de tăiere fără o apărătoare aprobată a acestuia. Dacă este montată o apărătoare pentru accesoriul de tăiere incorectă sau defectă, aceasta poate provoca vătămări corporale.

1. Opriți motorul și asigurați-vă că accesoriul de tăiere se oprește.
2. Dacă aveți un produs care funcționează cu benzină, scoateți pipa bujiei din bujie. Dacă aveți un produs care funcționează cu baterie, scoateți bateria din produs.
3. Purtați mănuși de protecție.
4. Asigurați-vă că discurile nu sunt deteriorate. Înlocuiți discurile dacă sunt deteriorate. Consultați *Înlocuirea discurilor la pagina 239*.

5. Examinați discurile. Asigurați-vă că nu există distanță între discuri. Dacă există o distanță între discuri, acestea trebuie reglate. Consultați *Reglarea distanței dintre discuri la pagina 239*.

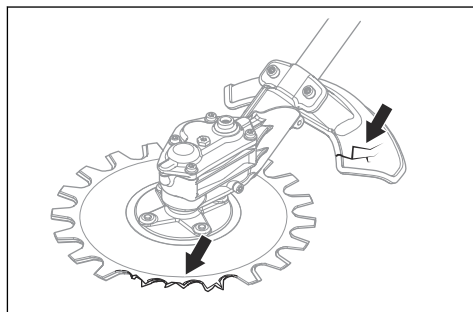


6. Asigurați-vă că nu este deteriorată cupa de susținere. Înlocuiți cupa de susținere, dacă acesta este deteriorată.



7. Asigurați-vă că șuruburile accesoriului de tăiere sunt strânse.

8. Asigurați-vă că discurile și apărătoarea accesoriului de tăiere nu sunt deteriorate. Înlocuiți componentele deteriorate.



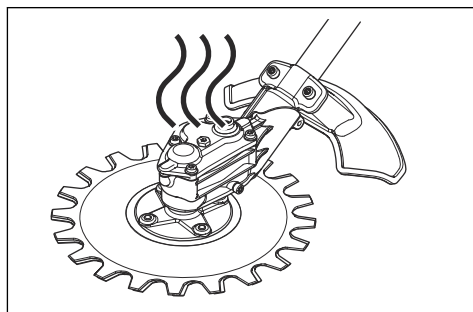
Instrucțiuni de siguranță pentru întreținere



AVERTISMENT: Accesoriul de tăiere se poate roti în continuare după eliberarea manetei de admisie/întrerupătorului. Dacă aveți un produs care funcționează cu benzină, scoateți pipa bujiei din bujie. Dacă aveți un produs care funcționează cu baterie, scoateți bateria din produs. Înainte de a efectua lucrări de întreținere, asigurați-vă că accesoriul de tăiere s-a oprit complet.



AVERTISMENT: Carcasa angrenajului devine fierbinte în timpul funcționării produsului. Suprafețele fierbinți vă pot cauza arsuri, nu atingeți carcasa angrenajului.



- Purtați întotdeauna mănuși de protecție rezistente atunci când reparați accesoriul de tăiere.

Echipamentul de tăiere este foarte ascuțit și poate cauza cu ușurință tăieturi.

- Pentru reparații, utilizați numai piese de schimb originale.

PĂSTRAȚI ACESTE INSTRUCȚIUNI

Funcționarea

Tehnica de lucru



AVERTISMENT: Ramurile sau iarba se pot prinde între apărătoarea pentru accesoriul de tăiere și accesoriul de tăiere. Opiți întotdeauna motorul înainte de a curăța accesoriul de tăiere.

- Utilizați accelerația/turația maximă când tăiați și reduceți turația de mers în gol după fiecare tăiere.

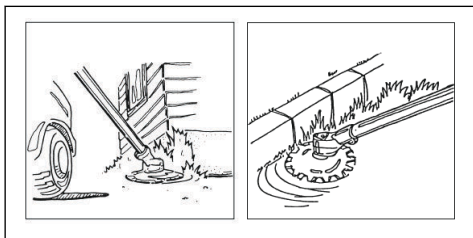


ATENȚIE: Poate avea loc deteriorarea motorului dacă acesta funcționează prea mult timp la accelerație maximă fără sarcină.

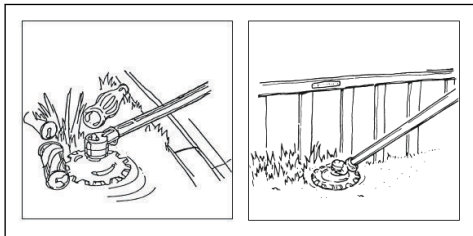
Utilizare recomandată pentru accesoriul de tăiere

Discurile accesoriului de tăiere se mișcă cu unghi mic și pot fi efectua tăierea în toate direcțiile. Deplasați accesoriul de tăiere pe sol la o înălțime la care cupa de susținere atinge solul. Utilizați accesoriul de tăiere pentru a tăia:

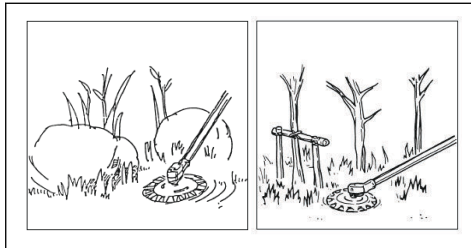
- Zonele din parcuri și marginile drumurilor.



- Pe marginea drumului și lângă garduri.



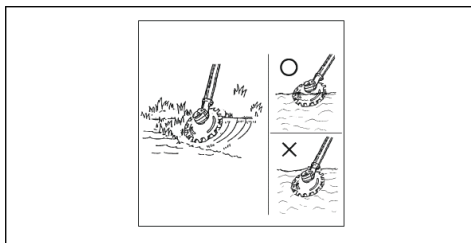
- În jurul pietrelor și al copacilor.



- Lângă apă.



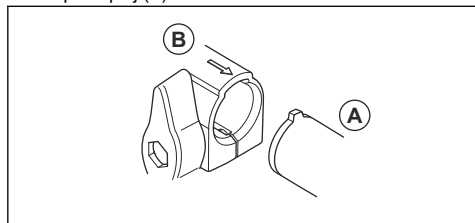
ATENȚIE: Nu introduceți carcasa angrenajului în apă.



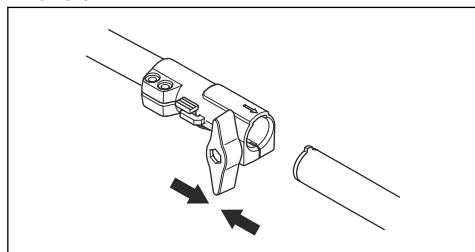
Asamblarea

Asamblarea arborelui din două componente

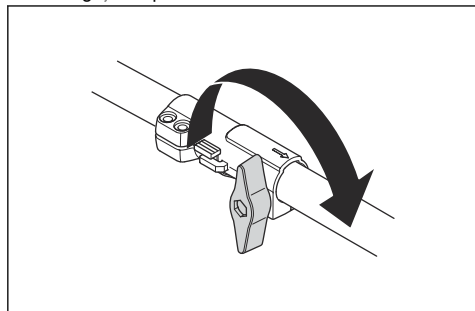
1. Rotiți butonul, pentru a slăbi cuplajul.
2. Aliniați umărul accesoriului de tăiere (A) cu săgeata de pe cuplaj (B).



3. Împingeți cu grijă arborele în cuplaj până când auziți un clic.

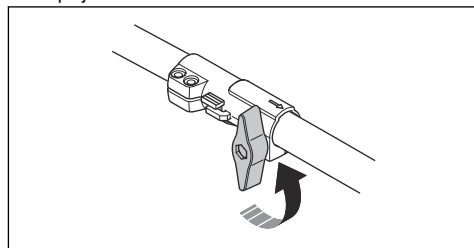


4. Strângeți complet rozeta.

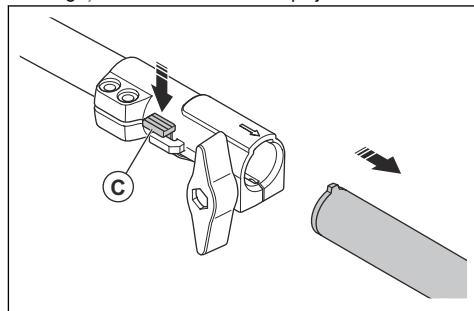


Dezasamblarea arborelui din două componente

1. Rotiți butonul 3 ture sau mai mult, pentru a slăbi cuplajul.



2. Țineți apăsat butonul (C).
3. Țineți strâns de capătul arborelui de care motorul este atașat.
4. Trageți accesoriul direct din cuplaj.



Întreținerea

Introducere

Mai jos veți găsi câteva instrucțiuni generale de întreținere. Dacă aveți nevoie de informații ulterioare, vă rugăm contactați atelierul de service.

Program de întreținere

Mai jos prezentăm o listă de pași de întreținere care trebuie parcurși pentru accesoriul de tăiere.

Nota: Operatorul trebuie să efectueze numai operațiile de întreținere și service pentru accesoriul de tăiere care sunt indicate în acest manual al operatorului. Toate operațiile de întreținere și service trebuie efectuate la un atelier de service aprobat.

Întreținerea	Zilnic	Săptămănal	Lunar
Curățați componentele externe ale produsului.	X		
Asigurați-vă că discurile nu sunt deteriorate. Înlocuiți discurile dacă sunt deteriorate.	X		
Asigurați-vă că apărătoarea accesoriului de tăiere nu este deteriorată. Înlocuiți apărătoarea accesoriului de tăiere, dacă este deteriorată.	X		
Asigurați-vă că nu este deteriorată cupa de susținere. Înlocuiți cupa de susținere, dacă aceasta este deteriorată.	X		
Verificați dacă șuruburile și piulițele sunt strânse.	X		
Umpleți carcasa angrenajului cu unsoare, aproximativ la fiecare 100 de ore de lucru.		X	

Pentru a curăța și unge discurile

1. Curățați discurile de materiale nedorite înainte și după ce utilizați produsul.
2. Lubrifiați discurile înainte de a le depozita pentru perioade lungi.

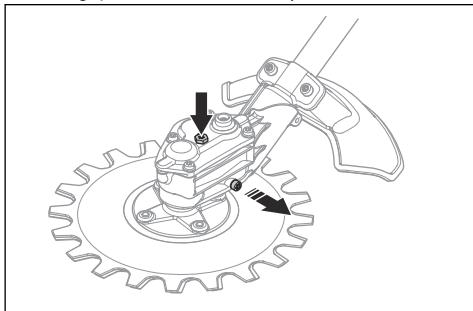
Nota: Adresați-vă reprezentantului de service pentru informații suplimentare privind agenții de curățare și lubrifiții recomandate.

Ungerea carcasei angrenajului



ATENȚIE: Nu umpleți complet carcasa angrenajului. În cazul în care carcasa angrenajului este plină, unsoarea poate cauza deteriorarea garniturilor și poate cauza scurgeri.

1. Scoateți dopurile pentru unsoare.
2. Adăugați unsoare în orificiul superior.



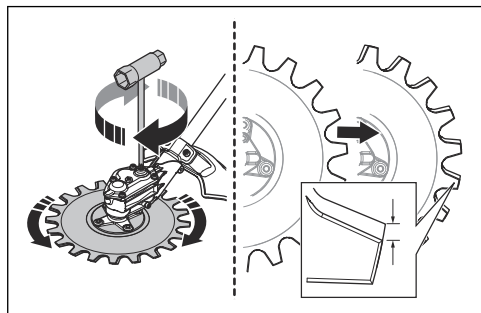
3. Montați dopurile pentru unsoare.

Ascuțirea discurilor

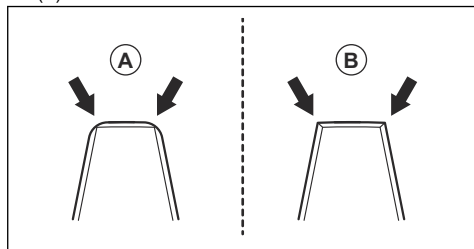


AVERTISMENT: Purtați mănuși de protecție atunci când țineți discurile.

1. Puneți cheia combinată în lăcașul de pe carcasa angrenajului.
2. Rotiți cheia combinată până când există o diferență de 3 mm/0,12 in. între discul superior și discul inferior.

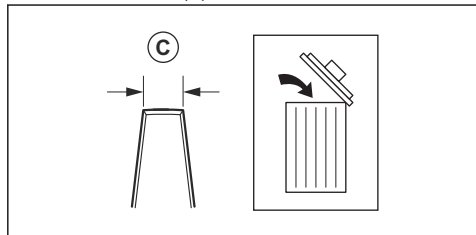


3. Ascuțiți cu un șlefuitor marginile (B) la care aveți acces. Asigurați-vă că nu faceți muchile rotunjite (A).



4. Rotiți cheia combinată în direcție opusă pentru a avea acces la marginile opuse.

- Ascuțiți cu un șlefuitor marginile la care aveți acces.
- Înlocuiți discurile când lățimea dintelui este mai mică de 8 mm/0,32 in. (C).



Înlocuirea discurilor



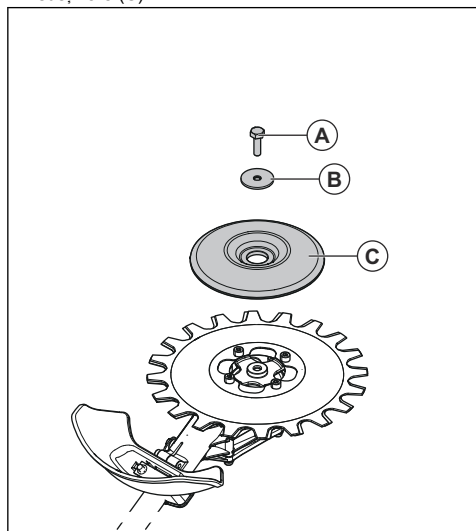
AVERTISMENT: Purtați mănuși de protecție atunci când țineți discurile.



AVERTISMENT: Pentru a evita dezechilibrarea și vibrațiile produsului, curățați accesoriul de tăiere în momentul înlocuirii discurilor.

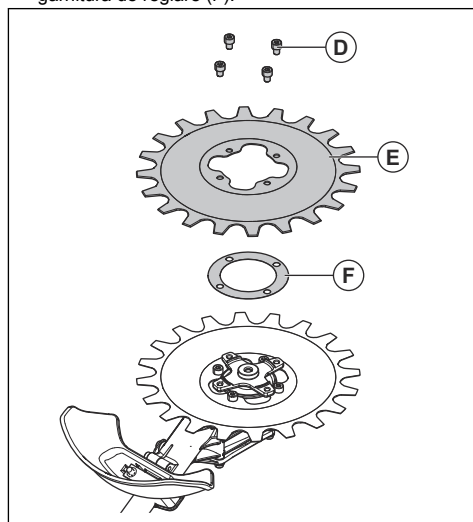
Nota: Discurile sunt interschimbabile.

- Scoateți șurubul central (A), șaiba (B) și cupa de susținere (C).

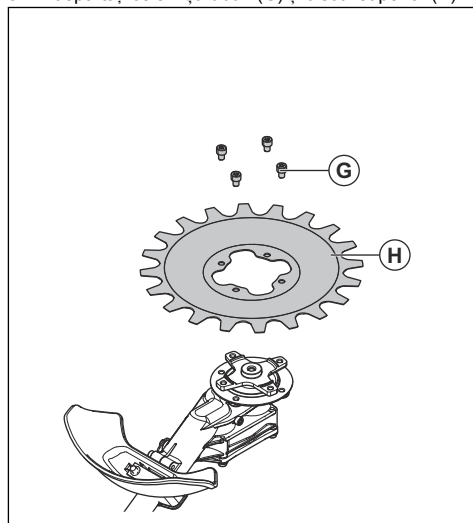


Nota: Șurubul central are filet pe stânga

- Îndepărtați cele 4 șuruburi (D), discul inferior (E) și garnitura de reglare (F).



- Îndepărtați cele 4 șuruburi (G) și discul superior (H).



- Montați discurile în ordine inversă. Strângeți șuruburile în mod egal când montați discurile.

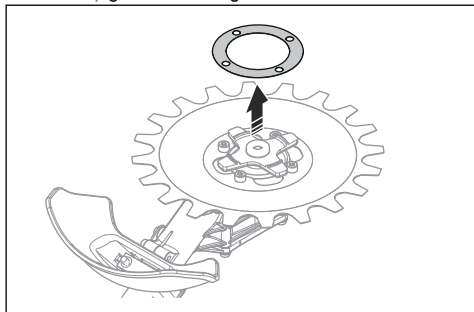
Reglarea distanței dintre discuri



AVERTISMENT: Purtați mănuși de protecție atunci când țineți discurile.

- Scoateți discul inferior, consultați *Înlocuirea discurilor la pagina 239*.

2. Scoateți garnitura de reglare.



Nota: Păstrați garnitura de reglare până când este momentul să înlocuiți discurile.

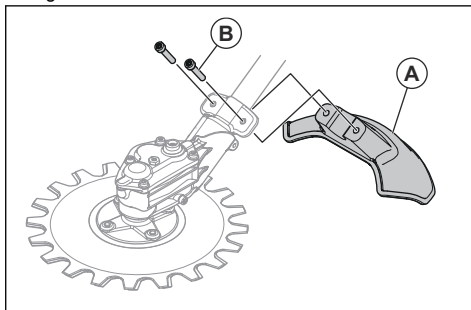
3. Montați discul inferior. Strângeți șuruburile în mod egal când montați discurile.

Înlocuirea apărătoarei accesoriului de tăiere



AVERTISMENT: Purtați mănuși de protecție atunci când țineți discurile

- Îndepărtați cele 2 șuruburi (B) și apărătoarea pentru accesoriul de tăiere (A).
- Montați noua apărătoare pentru accesoriul de tăiere (A) cu cele 2 șuruburi (B). Strângeți șuruburile în mod egal.



Transportul, depozitarea și eliminarea

Transport și depozitare

- Asigurați-vă că apărătoarea pentru transport este atașată corect la accesoriul de tăiere când produsul nu este utilizat, este transportat sau este depozitat.
- Păstrați accesoriul de tăiere într-o zonă restricționată pentru a preveni accesul copiilor sau al persoanelor neautorizate.

- Atașați accesoriul de tăiere în siguranță în timpul transportului pentru a preveni deteriorarea și accidentele.
- Asigurați-vă că accesoriul de tăiere este curat și că s-a efectuat un service complet înainte de depozitarea pe termen lung.

Date tehnice

Date tehnice

RA850	
Greutate	
Greutate, kg	2,5
Emisii de zgomot⁵⁵	
Nivel de putere acustică, măsurat în dB(A)	102

⁵⁵ Emisiile de zgomot în mediu măsurate ca putere acustică (L_{WA}) în conformitate cu directiva CE 2000/14/CE. Nivelul de putere a sunetului raportat pentru aparat a fost măsurat cu accesoriul original de tăiere care emite cel mai ridicat nivel. Diferența dintre puterea garantată a sunetului și cea măsurată este aceeași ca puterea garantată a sunetului include, de asemenea, dispersia în rezultatul de măsurare și variațiile dintre diferitele aparate ale aceleiași model conform Directivei 2000/14/CE.

RA850	
Nivel de putere acustică garantat L_{WA} , dB (A)	105
Nivele de zgomot⁵⁶	
Nivel echivalent de presiune acustică la urechea operatorului, măsurat în conformitate cu EN ISO 11806-1 și EN ISO 22868, dB(A)	
Dotat cu accesoriu omologat (original)	90
Niveluri de vibrații⁵⁷	
Niveluri echivalente de vibrații ($a_{hv,eq}$) la mână, măsurate în conformitate cu EN ISO 11806-1 și ISO 22867, m/s^2	
Dotat cu accesoriu omologat (original), stânga/dreapta	3,9/4,8
Discuri	
Diametru, mm	230
Turație disc, cursă/min	4600

⁵⁶ Datele raportate pentru nivelul echivalent de presiune a sunetului pentru dispozitiv includ o dispersie statistică tipică (deviere standard) de 1 dB (A).

⁵⁷ Datele raportate pentru nivelul echivalent de vibrații includ o dispersie statistică tipică (abatere standard) de 1 m/s^2 .

Declarație de conformitate CE

Declarație de conformitate CE

Husqvarna AB, SE-561 82 Huskvarna, Suedia, tel.: +46-36-146500, declară că reciprocator attachment **Husqvarna RA850** cu seriile din 2019 și ulterioare (anul este specificat clar pe plăcuța de identificare, urmat de serie), respectă cerințele DIRECTIVEI CONSILIULUI:

- din 17 mai 2006 „referitoare la utilaje” **2006/42/CE**.
- din 8 iunie 2011 privind „restricțiile de utilizare a anumitor substanțe periculoase cu echipamente electrice și electronice” **2011/65/UE**.
- din 8 mai 2000 „referitoare la emisiile de zgomot în mediul înconjurător” **2000/14/CE**. Evaluare de conformitate conform Anexei V. Pentru informații privind emisiile de zgomot, consultați capitolul Date tehnice.

Au fost aplicate următoarele standarde:

EN ISO 11806-1:2011, EN 50581:2012

RISE SMP Svensk Maskinprovning AB, Box 7035, SE-750 07 Uppsala, Sweden a efectuat voluntar o aprobare de tip pentru Husqvarna AB. Certificatele au numerele: **SEC/19/2528**

Huskvarna, 2019-03-11



Per Gustafsson, Director de Dezvoltare (Reprezentant autorizat pentru Husqvarna AB și responsabil cu documentația tehnică)

Содержание

Введение.....	243	Техническое обслуживание.....	250
Безопасность.....	245	Транспортировка, хранение и утилизация.....	253
Эксплуатация.....	249	Технические данные.....	253
Сборка.....	250	Декларация соответствия ЕС.....	255

Введение

Назначение



ПРЕДУПРЕЖДЕНИЕ: Режущее оборудование должно использоваться только вместе с совместимыми изделиями. См. руководство по эксплуатации изделия.

Режущее оборудование предназначено для стрижки травы и срезания веток.

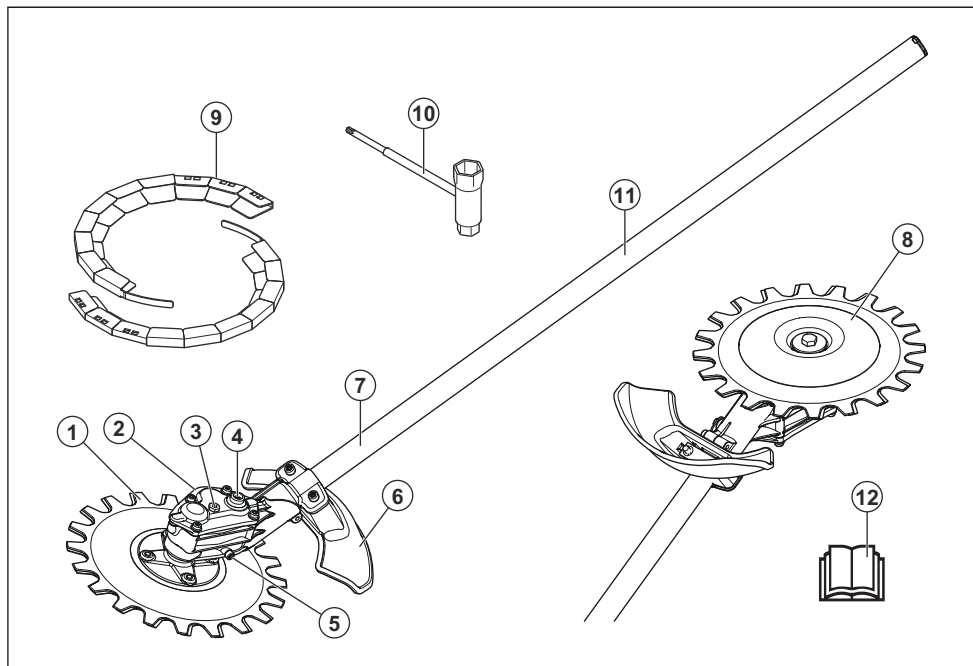
Примечание: Государственные нормативы могут накладывать ограничения на эксплуатацию данного изделия.

Описание изделия

Мы постоянно работаем над совершенствованием и развитием своей продукции и поэтому оставляем за собой право на внесение изменений в конструкцию и внешний вид без предварительного предупреждения.

Примечание: Данное руководство распространяется как на бензиновые, так и на аккумуляторные блоки питания.

Обзор режущего оборудования



1. Нож

2. Картер редуктора

3. Пробка верхнего смазочного отверстия
4. Гнездо для смещения ножей вручную
5. Пробка нижнего смазочного отверстия
6. Щиток режущего оборудования
7. Штанга
8. Опорный колпак
9. Транспортировочный щиток
10. Комбинированный ключ
11. Информационная наклейка
12. Руководство по эксплуатации



Оператор обязан следить за тем, чтобы в радиусе 15 м не находились люди или животные. При работе нескольких человек на одном участке необходимо обеспечить между ними безопасное расстояние не менее 15 м. Во время работы насадка может случайно отбрасывать предметы, которые могут отскочить обратно. Это может привести к серьезным повреждениям глаз, если не использовать рекомендованные средства защиты.

Условные обозначения на насадке и блоке питания



Небрежная или неправильная эксплуатация данного оборудования может привести к тяжелой или смертельной травме пользователя или других лиц.



Перед началом работы с насадкой внимательно прочитайте руководство по эксплуатации и убедитесь, что понимаете приведенные здесь инструкции.



Используйте защитный шлем в тех местах, где существует вероятность падения предметов. Всегда пользуйтесь защитными наушниками. Пользуйтесь проверенными средствами защиты глаз.



Всегда пользуйтесь рекомендованными защитными перчатками.



Пользуйтесь не скользящими и устойчивыми сапогами.



Максимальное количество проходов в минуту.



Стрелками показаны границы расположения рукоятки.



Изделие может отбрасывать предметы, что может стать причиной травмы.



Посторонние лица и животные должны находиться на расстоянии не менее 15 м (50 футов) от работающего инструмента.



Эмиссия шума в окружающую среду согласно Директиве Европейского Сообщества. Уровень эмиссии шума данной насадкой приведен в разделе *Технические данные на стр. 253* и на паспортной табличке.



Данная насадка отвечает требованиям соответствующих директив ЕС.



Изделие соответствует действующим директивам EAC.



Изделие соответствует действующим директивам Украины



Изделие соответствует действующим директивам по электромагнитной совместимости Австралии и Новой Зеландии.

ууууwwxxxx

Табличка с указанием серийного номера. **уууу** означает год производства, **ww** — производственную неделю.

Примечание: Другие символы/наклейки на оборудовании нанесены согласно специальным требованиям к сертификации, которые действуют в определенных странах.



ПРЕДУПРЕЖДЕНИЕ: В случае вмешательства в работу двигателя

Безопасность

ВАЖНЫЕ ПРАВИЛА ТЕХНИКИ БЕЗОПАСНОСТИ

Инструкции по технике безопасности

Предупреждения, предостережения и примечания используются для выделения особо важных пунктов руководства по эксплуатации.



ПРЕДУПРЕЖДЕНИЕ: Используется, когда несоблюдение инструкций руководства может привести к травмам или смерти оператора или находящихся рядом посторонних лиц.



ВНИМАНИЕ: Используется, когда несоблюдение инструкций руководства может привести к повреждению изделия и/или принадлежности, других материалов или прилегающей территории.

Примечание: Используется для предоставления дополнительных сведений о конкретной ситуации.

Прочитайте все инструкции



ПРЕДУПРЕЖДЕНИЕ: При использовании садовых инструментов с электрическим приводом необходимо всегда следовать основным мерам предосторожности в целях снижения риска возникновения пожара, поражения электрическим током и получения травмы, включая следующие правила:

Общие инструкции по технике безопасности



ПРЕДУПРЕЖДЕНИЕ: Прежде чем приступать к эксплуатации оборудования, обязательно прочитайте следующие инструкции по технике безопасности.

- Перед началом работы с оборудованием внимательно прочитайте руководство по эксплуатации и убедитесь, что понимаете приведенные здесь инструкции.
- Эти инструкции дополняют инструкции, поставляемые с самим изделием. В отношении прочих операций см. инструкцию по эксплуатации изделия.
- Ни при каких обстоятельствах не допускается внесение изменений в первоначальную конструкцию оборудования без разрешения производителя. Запрещается использовать оборудование, если существует вероятность, что в его конструкцию внесены изменения другими лицами; всегда используйте оригинальные принадлежности. Внесение неразрешенных изменений и/или использование неразрешенных принадлежностей может привести к тяжелой травме или смерти оператора или других лиц.
- Длительное воздействие вибрации может привести к нарушению кровообращения или расстройствам нервной системы у людей с нарушенным кровообращением. В случае появления тревожных симптомов обратитесь к врачу. Такими симптомами могут быть онемение, потеря чувствительности, "щелотка", "колотье", боль, потеря силы или слабость, изменение цвета и состояния кожи. Как правило, подобные симптомы проявляются в пальцах, руках или запястьях. Эти симптомы усиливаются при холодной температуре.

Инструкции по технике безопасности во время эксплуатации



ПРЕДУПРЕЖДЕНИЕ: В обязательном порядке прочитайте следующие инструкции по технике безопасности, прежде чем приступать к эксплуатации изделия.

- Изделие предназначено только для выполнения работ, описанных в данном руководстве. См. раздел *Назначение на стр. 243*.
- Ни в коем случае не используйте изделие, если не уверены, что умеете им пользоваться.
- Ни в коем случае не используйте изделие, если вы устали, больны или находитесь под воздействием спиртного, наркотических веществ или лекарственных препаратов. Это может

повлиять на ваше зрение, координацию или оценку действительности.

- Не пользуйтесь изделием, если вы не сможете получить помощь при несчастном случае.
- Запрещается использовать изделие при обнаружении признаков повреждения.
- Убедитесь, что режущее оборудование останавливается каждый раз при переключении (электро-)двигателя на холостой ход.
- Следите за тем, чтобы во время работы посторонние находились не менее чем в 15 м / 50 футах от вас. Убедитесь, что на рабочем участке находятся только лица, имеющие соответствующее разрешение.
- Не позволяйте детям находиться рядом с изделием или пользоваться им.
- Поддерживайте рабочий участок в чистоте и обеспечивайте надлежащее освещение. Не используйте изделие при неблагоприятных погодных условиях, например, в туман, сильный дождь, при порывистом ветре, при низких температурах воздуха, риске удара молнии.
- Если во время работы в ножах застревает посторонний предмет, выключите (электро-)двигатель и дождитесь полной остановки ножей. Снимите колпачок свечи зажигания со свечи зажигания/извлеките аккумулятор. Вставьте комбинированный ключ в гнездо для смещения ножей в картере редуктора, см. раздел *Заточка ножей на стр. 251*.
- В случае повреждения ножей во время работы верхний и нижний ножи могут зацепиться друг за друга. Не прикасайтесь к ножам, они могут внезапно начать движение и стать причиной травмы.
- Убедитесь, что вы занимаете устойчивое и безопасное положение во время работы.
- Возможен разлет предметов на высокой скорости. Убедитесь, что все лица на рабочем участке используют одобренные средства индивидуальной защиты. Уберите незакрепленные предметы с рабочего участка.
- Надевая защитные наушники, особенно внимательно следите за тем, что происходит на рабочем участке. Всегда снимайте наушники после остановки (электро-)двигателя.
- В случае необычной вибрации остановите (электро-)двигатель. Если изделие работает на бензине, снимите колпачок свечи зажигания со свечи зажигания. Если изделие работает от аккумулятора, извлеките аккумулятор. Незамедлительно выявите причину. Вибрация, как правило, является сигналом наличия повреждения.
- Запрещается оставлять изделие с работающим (электро-)двигателем без присмотра.
- Держите изделие обеими руками. Держите изделие с правой стороны от тела. Во время

работы держите режущее оборудование ниже пояса.



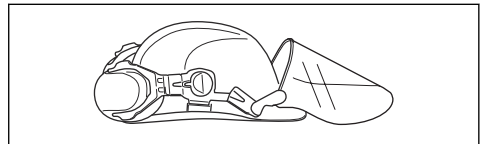
- Режущим оборудованием следует действовать в направлении от оператора. Работа в направлении в сторону оператора может стать причиной тяжелой травмы.
- Убедитесь, что при работающем (электро-)двигателе ваши руки и ноги не находятся рядом с ножами.

Средства индивидуальной защиты



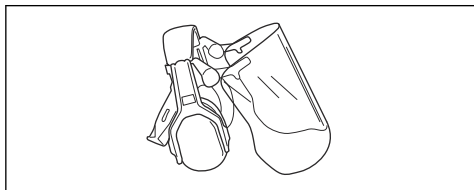
ПРЕДУПРЕЖДЕНИЕ: В обязательном порядке прочитайте следующие инструкции по технике безопасности, прежде чем приступить к эксплуатации изделия.

- Каждый раз при работе с изделием следует использовать одобренные средства индивидуальной защиты. Средства индивидуальной защиты не могут полностью исключить риск получения травмы, но при несчастном случае они снижают тяжесть травмы. За помощью по правильному выбору оборудования обращайтесь к дилеру.
- Используйте защитный шлем в тех случаях, когда существует вероятность падения предметов.

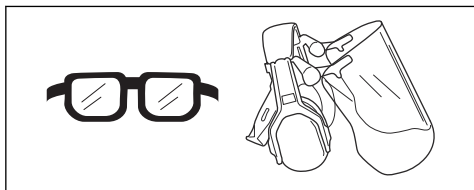


- Продолжительное воздействие шума может повлечь за собой нарушение слуха. В целом, аккумуляторные изделия отличаются относительно низким уровнем шума, но при длительном использовании все же возможно нарушение слуха. Компания Husqvarna рекомендует операторам использовать средства защиты органов слуха при непрерывной эксплуатации изделия в течение продолжительного отрезка времени. Пользователи, эксплуатирующие изделие регулярно или в течение продолжительных

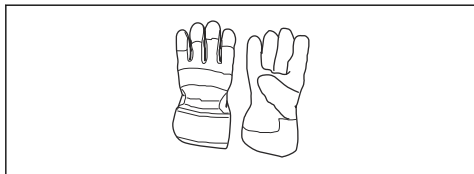
отрезков времени, должны регулярно проверять свой слух. Обратите внимание, что средства защиты органов слуха приглушают звуки, в том числе предупреждающие сигналы.



- Пользуйтесь проверенными средствами защиты глаз. При использовании защитной маски следует пользоваться также одобренными защитными очками. Под одобренными защитными очками подразумеваются очки, отвечающие требованиям стандарта ANSI Z87.1 для США или EN 166 для стран ЕС.



- При необходимости надевайте перчатки, например, при проверке или очистке изделия.

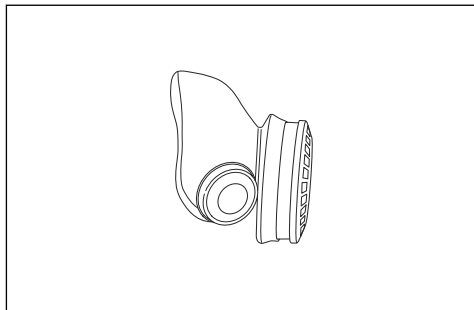


- Надевайте защитные ботинки или обувь с нескользящей подошвой.



- Надевайте одежду из прочного материала. Всегда надевайте длинные прочные брюки и верхнюю одежду с длинными рукавами. Запрещается надевать свободную одежду, которая может зацепиться за ветви или кустарник. Не надевайте ювелирные украшения, шорты, открытую обувь и не ходите босиком. Зафиксируйте волосы выше уровня плеч.

- При работе в условиях, которые могут привести к появлению пыли, используйте средства защиты органов дыхания.



- Средства оказания первой помощи всегда должны быть под рукой.



Защитные устройства на оборудовании



ПРЕДУПРЕЖДЕНИЕ: Прежде чем приступать к эксплуатации оборудования, обязательно прочитайте следующие инструкции по технике безопасности.

Данный раздел содержит информацию о защитных приспособлениях оборудования, его назначении, а также проверках и техническом обслуживании, которое необходимо выполнять для обеспечения его правильной работы. См. указания в разделе *Обзор режущего оборудования на стр. 243*, где приведено расположение этих деталей на оборудовании.

Срок службы оборудования может быть сокращен, а риск несчастных случаев увеличен, если техническое обслуживание оборудования не выполняется надлежащим образом, а обслуживание и/или ремонт выполнены непрофессионалом. Дополнительную информацию можно получить у ближайшего дилера по обслуживанию.



ПРЕДУПРЕЖДЕНИЕ: Ни в коем случае не пользуйтесь оборудованием с неисправными защитными приспособлениями. Техобслуживание и проверка защитных приспособлений должны выполняться так, как это описано в данном разделе. Если в результате этих проверок оборудования обнаружены неисправности, немедленно обратитесь к специалисту для выполнения ремонта.



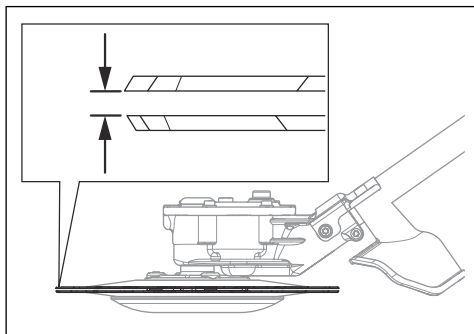
ПРЕДУПРЕЖДЕНИЕ: Для обслуживания и ремонта изделия требуется специальная подготовка. Это особенно относится к защитным приспособлениям изделия. При обнаружении одной или нескольких неисправностей (см. перечень проверок ниже) в обязательном порядке обратитесь в сервисный центр. При приобретении любой нашей продукции вы гарантированно получаете доступ к профессиональной помощи по ремонту и обслуживанию. Если изделие было приобретено у дилера, не имеющего сервисного центра, узнайте у него адрес ближайшего сервисного центра.

Проверка режущего оборудования и щитка режущего оборудования

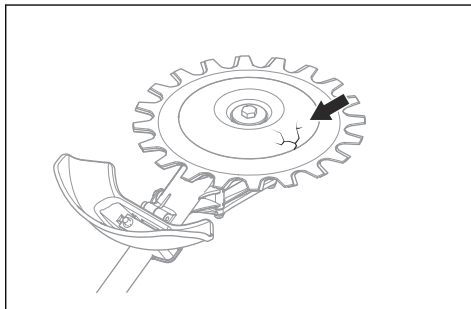


ПРЕДУПРЕЖДЕНИЕ: Запрещается использовать режущее оборудование без одобренного щитка режущего оборудования. Установка неправильного или неисправного щитка режущего оборудования может стать причиной травмы.

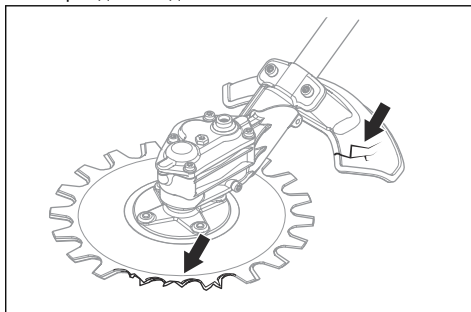
1. Выключите двигатель и убедитесь, что режущее оборудование останавливается.
2. Если изделие работает на бензине, снимите колпачок свечи зажигания со свечи зажигания. Если изделие работает от аккумулятора, извлеките аккумулятор из изделия.
3. Наденьте защитные перчатки.
4. Проверьте ножи на наличие повреждений. В случае повреждения ножей замените их. См. раздел *Замена ножей на стр. 252*.
5. Проверьте ножи. Убедитесь в отсутствии зазора между ножами. При наличии зазора между ножами их необходимо отрегулировать. См. раздел *Регулировка зазора между ножами на стр. 253*.



6. Проверьте опорный колпак на наличие повреждений. В случае повреждения опорного колпака замените его.



7. Убедитесь, что винты на режущем оборудовании затянуты.
8. Убедитесь, что ножи и щиток режущего оборудования не повреждены. Замените поврежденные детали.



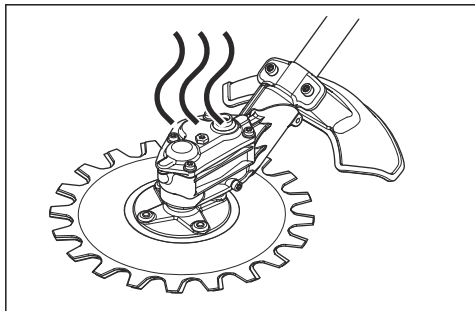
Инструкции по технике безопасности во время технического обслуживания



ПРЕДУПРЕЖДЕНИЕ: Режущее оборудование может продолжить вращение после того, как рычаг дросселя/переключатель были отпущены. Если изделие работает на бензине, снимите колпачок свечи зажигания со свечи зажигания. Если изделие работает от аккумулятора, извлеките аккумулятор из изделия. Перед выполнением технического обслуживания убедитесь, что режущее оборудование полностью остановилось.



ПРЕДУПРЕЖДЕНИЕ: Во время работы изделия картер редуктора нагревается. При контакте с горячими поверхностями можно получить ожог; не касайтесь картера редуктора.



- При ремонте режущего оборудования всегда надевайте прочные защитные перчатки. Режущее оборудование очень острое и может легко привести к порезам.
- Используйте для ремонта только оригинальные запчасти.

СОХРАНИТЕ ДАНЫЕ ИНСТРУКЦИИ

Эксплуатация

Техника работы



ПРЕДУПРЕЖДЕНИЕ: Ветки или трава могут застрять между щитком режущего оборудования и самим режущим оборудованием. В обязательном порядке останавливайте (электро-)двигатель перед очисткой режущего оборудования.

- Во время резки работайте на полной мощности/ скорости и сбрасывайте частоту вращения двигателя до холостого хода после каждого прохода.

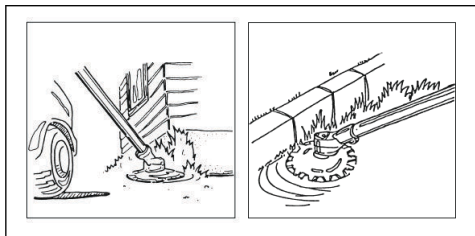


ВНИМАНИЕ: При слишком продолжительной работе двигателя на полной мощности без нагрузки возможно повреждение (электро-)двигателя.

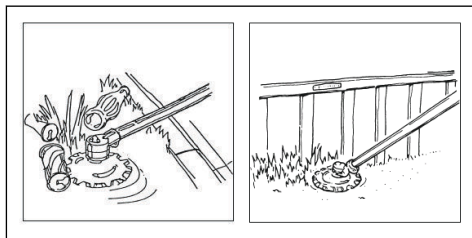
Рекомендации по использованию режущего оборудования

Ножи режущего оборудования вращаются под небольшим углом и могут резать во всех направлениях. Перемещайте режущее оборудование вдоль земли на такой высоте, при которой опорный колпак слегка касается земли. С помощью этого режущего оборудования можно выполнять обработку следующих участков:

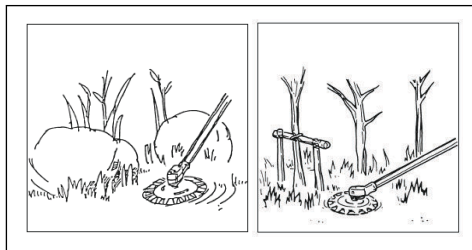
- Парковые зоны и кромки дорог.



- Обочины и участки вокруг заборов.



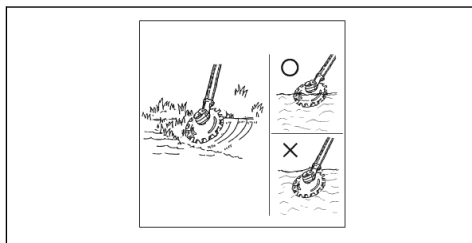
- Участки вокруг камней и деревьев.



- Участки рядом с водой.



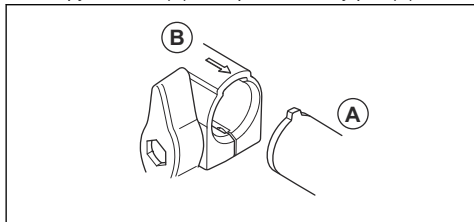
ВНИМАНИЕ: Запрещено погружать картер редуктора в воду.



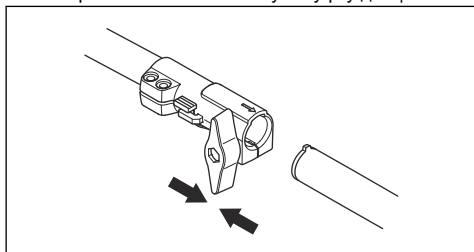
Сборка

Сборка двухсекционной штанги

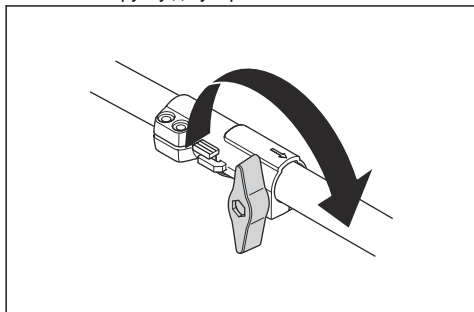
1. Поверните ручку, чтобы ослабить соединительную муфту.
2. Совместите контактный выступ режущего оборудования (А) со стрелкой на муфте (В).



3. Осторожно вставьте штангу в муфту до щелчка.

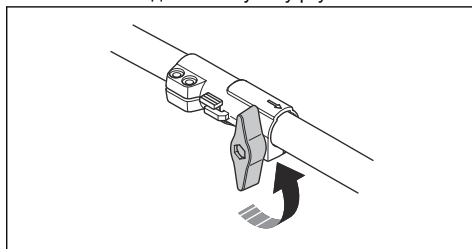


4. Затяните ручку до упора.

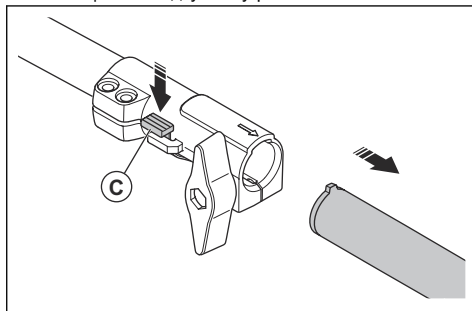


Разборка двухсекционной штанги

1. Поверните ручку на 3 оборота или более, чтобы ослабить соединительную муфту.



2. Нажмите и удерживайте кнопку (С).
3. Крепко удерживайте конец штанги, к которому крепится двигатель.
4. Вытащите насадку из муфты.



Техническое обслуживание

Введение

Ниже приведены некоторые общие инструкции по техническому обслуживанию. Для получения дополнительной информации обратитесь в сервисную мастерскую.

График технического обслуживания

Ниже приведен перечень технического обслуживания, которое необходимо выполнять на рабочем оборудовании.

Примечание: Оператор может выполнять только те работы по техническому и сервисному обслуживанию режущего оборудования, которые приведены в данном руководстве по эксплуатации. Прочие работы по техническому и сервисному

обслуживанию должны проводиться в авторизованной сервисной мастерской.

Техническое обслуживание	Ежедневно	Еженедельно	Ежемесячно
Очистите наружные части изделия.	X		
Проверьте ножи на наличие повреждений. В случае повреждения ножей замените их.	X		
Проверьте щиток режущего оборудования на наличие повреждений. Если щиток режущего оборудования поврежден, замените его.	X		
Проверьте опорный колпак на наличие повреждений. В случае повреждения опорного колпака замените его.	X		
Проверьте затяжку винтов и гаек.	X		
Заполните картер редуктора смазкой (примерно каждые 100 часов работы).		X	

Очистка и смазка ножей

1. Ножи необходимо очищать от посторонних материалов до и после эксплуатации.
2. Смажьте ножи перед помещением изделия на продолжительное хранение.

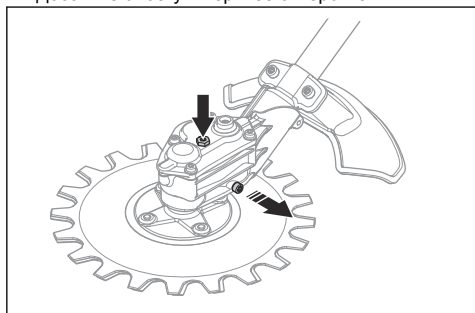
Примечание: Для получения информации о рекомендованных чистящих средствах и смазке обратитесь к своему сервисному дилеру.

Смазка картера редуктора



ВНИМАНИЕ: Не заполняйте картер редуктора смазкой полностью. При заполнении картера редуктора полностью смазка может повредить уплотнения, что приведет к утечке.

1. Снимите пробки смазочных отверстий.
2. Добавьте смазку в верхнее отверстие.



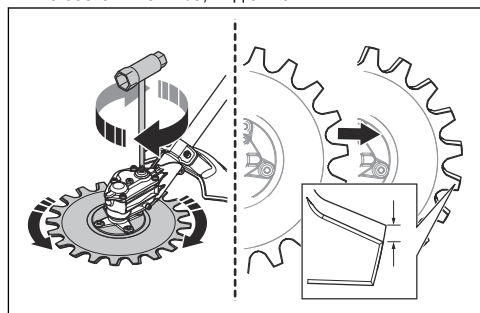
3. Установите пробки смазочных отверстий.

Заточка ножей

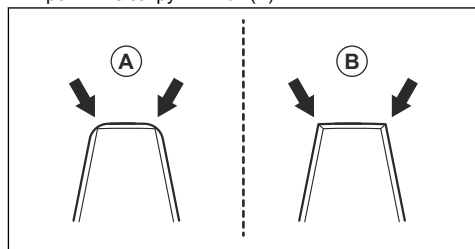


ПРЕДУПРЕЖДЕНИЕ: Надевайте защитные перчатки, прежде чем браться за ножи.

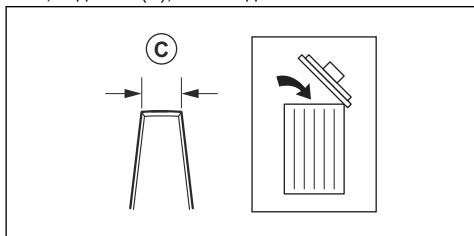
1. Вставьте комбинированный ключ в гнездо на картере редуктора.
2. Поворачивайте комбинированный ключ до тех пор, пока зазор между верхним и нижним ножами не составит 3 мм/0,12 дюйма.



3. Заточите кромки (B), которые можете достать точильным камнем. Следите за тем, чтобы кромки не закруглились (A).



4. Поверните комбинированный ключ в противоположном направлении, чтобы получить доступ к противоположным кромкам.
5. Заточите кромки, которые можете достать точильным камнем.
6. Когда ширина зуба составляет менее 8 мм/ 0,32 дюйма (C), ножи подлежат замене.



Замена ножей



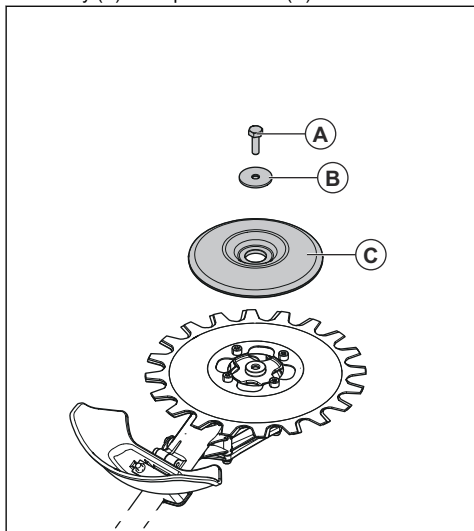
ПРЕДУПРЕЖДЕНИЕ: Надевайте защитные перчатки, прежде чем брать за ножи.



ПРЕДУПРЕЖДЕНИЕ: Во избежание разбалансировки и вибрации изделия выполняйте очистку режущего оборудования при замене ножей.

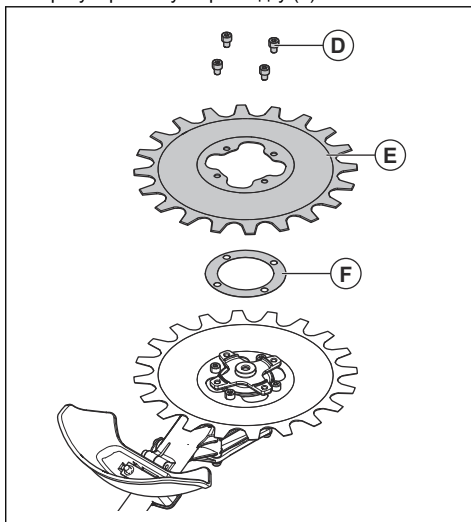
Примечание: Ножи взаимозаменяемы.

1. Отверните центральный винт (A) и снимите шайбу (B) и опорный колпак (C).

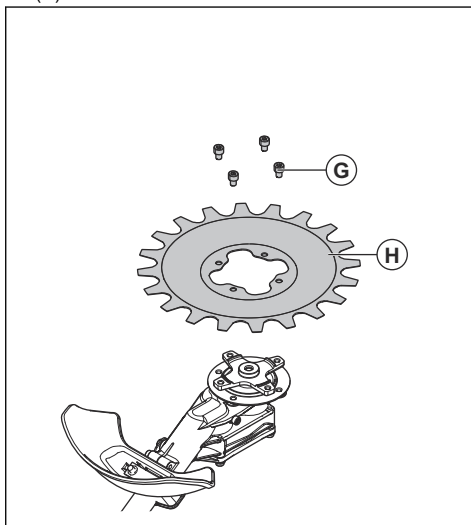


Примечание: Центральный винт имеет левостороннюю резьбу

2. Отверните 4 винта (D) и снимите нижний нож (E) и регулировочную прокладку (F).



3. Отверните 4 винта (G) и снимите верхний нож (H).



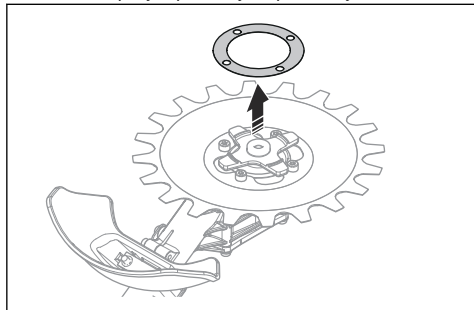
4. Установите ножи в обратном порядке. Равномерно затяните винты при установке ножей.

Регулировка зазора между ножами



ПРЕДУПРЕЖДЕНИЕ: Надевайте защитные перчатки, прежде чем браться за ножи.

1. Снимите нижний нож, см. раздел *Замена ножей* на стр. 252.
2. Снимите регулировочную прокладку.



Примечание: Сохраните регулировочную прокладку, чтобы использовать ее после замены ножей.

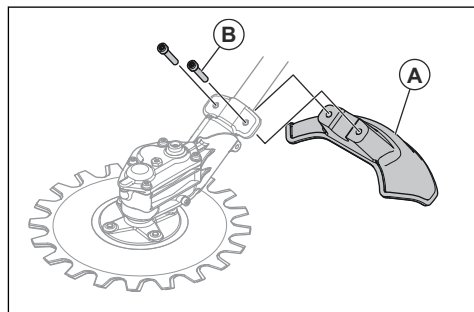
3. Установите нижний нож. Равномерно затяните винты при установке ножей.

Замена щитка режущего оборудования



ПРЕДУПРЕЖДЕНИЕ: Надевайте защитные перчатки, прежде чем браться за ножи

- Отверните 2 винта (В) и снимите щиток режущего оборудования (А).
- Установите новый щиток режущего оборудования (А) с помощью 2 винтов (В). Равномерно затяните винты.



Транспортировка, хранение и утилизация

Транспортировка и хранение

- Если изделие не используется, транспортируется или находится на хранении, следите за тем, чтобы транспортировочный щиток был надлежащим образом закреплен на режущем оборудовании.
- Храните режущее оборудование в запечатом помещении для предотвращения доступа к изделию детей или посторонних лиц.
- Надежно закрепляйте режущее оборудование на время транспортировки во избежание повреждений и несчастных случаев.
- Следите за тем, чтобы режущее оборудование регулярно очищалось и чтобы перед его продолжительным хранением было выполнено полное обслуживание.

Технические данные

Технические данные

RA850	
Вес	
Вес, кг	2,5

RA850	
Излучение шума⁵⁸	
Уровень мощности звука, измеренный, дБ(А)	102
Уровень мощности звука, гарантированный L_{WA} , дБ(А)	105
Уровни шума⁵⁹	
Эквивалентный уровень шумового давления на уровне уха пользователя, измерен согласно EN ISO 11806-1 и EN ISO 22868, дБ(А)	
С соответствующим оборудованием (оригинальным)	90
Уровни вибрации⁶⁰	
Эквивалент уровней вибрации ($a_{hv,eq}$) на ручках, измерен согласно EN ISO 11806-1 и ISO 22867, m/c^2	
С соответствующим оборудованием (оригинальным), слева/справа	3,9/4,8
Ножи	
Диаметр, мм	230
Скорость резки, ходов/мин	4600

⁵⁸ Излучение шума в окружающую среду измеряется как шумовой эффект (L_{WA}) согласно Директиве ЕС 2000/14/ЕС. Указанный уровень мощности звука для устройства измерен с оригинальным режущим оборудованием, дающим наивысший уровень. Разница между гарантированной и измеренной мощностью звука заключается в том, что гарантированная мощность звука включает результаты измерений как диапазон и их отклонение для устройств одной и той же модели согласно директиве 2000/14/ЕС.

⁵⁹ Указанные данные об эквивалентном уровне давления звука для устройства имеют типичный статистический разброс (стандартное отклонение) 1 дБ(А).

⁶⁰ Указанные данные о среднем уровне вибраций имеют типичный статистический разброс (стандартное отклонение) 1 m/c^2 .

Декларация соответствия ЕС

Декларация соответствия ЕС

Husqvarna AB, SE-561 82 Huskvarna, Швеция, тел.: +46-36-146500, настоящим заявляет, что respirator attachment **Husqvarna RA850** с серийными номерами от 2019 года и далее (год производства четко указан на паспортной табличке рядом с серийным номером) соответствует требованиям ДИРЕКТИВЫ СОВЕТА ЕС:

- от 17 мая 2006 года "о механическом оборудовании" **2006/42/ЕС**.
- от 8 июня 2011 года "об ограничении использования определенных опасных веществ в электрическом и электронном оборудовании" **2011/65/EU**.
- от 8 мая 2000 года "относительно излучения шума в окружающую среду" **2000/14/ЕС**. Оценка соответствия нормам выполнена согласно Приложению V. Информация по излучению шума представлена в разделе "Технические характеристики".

Применяются следующие стандарты:

EN ISO 11806-1:2011, EN 50581:2012

RISE SMP Svensk Maskinprovning AB, Box 7035, SE-750 07 Uppsala, Sweden провела добровольную типовую проверку для Husqvarna AB. Сертификатам присвоены номера: **SEC/19/2528**

Huskvarna, 2019-03-11



Пер Густафссон (Per Gustafsson), директор Отдела разработок (уполномоченный представитель компании Husqvarna AB и ответственный за техническую документацию)

141400, Московская обл., Г. Химки, ул. Ленинградская, владение 39, строение 6, здание II этаж 4, 8-800-200-1689

Obsah

Úvod.....	256	Údržba.....	263
Bezpečnosť.....	258	Preprava, skladovanie a likvidácia.....	266
Prevádzka.....	261	Technické údaje.....	266
Montáž.....	262	ES vyhlásenie o zhode.....	267

Úvod

Plánované použitie

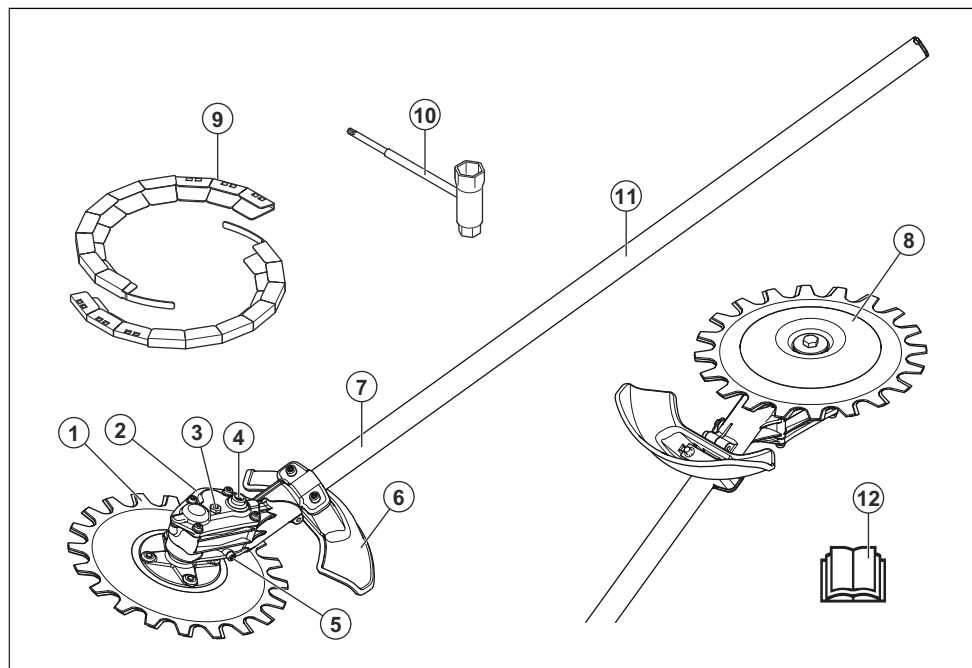


VÝSTRAHA: Rezací nadstavec sa smie používať iba spolu s kompatibilnými výrobkami. Pozrite si návod na obsluhu daného výrobku.

Rezací nadstavec sa používa na kosenie trávy a vetvičiek.

Poznámka: Používanie tohto výrobku môže byť obmedzené vnútroštátnymi predpismi.

Prehľad rezacieho nadstavca



1. Čepel
2. Skriňa prevodovky
3. Horná mazacia zátka

4. Kľúč na manuálne presunutie nožov
5. Spodná mazacia zátka
6. Chránič rezacieho nadstavca

7. Hriadeľ
8. Podporná miska
9. Prepravný kryt
10. Kombinovaný kľúč
11. Typový a výstražný štítok
12. Návod na obsluhu

Symbyly na nadstavci a na pohonnej jednotke



Neopatrné alebo nesprávne používanie tohto rezacieho nástroja môže spôsobiť vážne až smrteľné zranenie obsluhu a iným osobám.



Skôr než začnete nadstavec používať, pozorne si prečítajte návod na obsluhu, aby ste porozumeli pokynom.



V miestach, kde na vás niečo môže spadnúť, používajte ochrannú prilbu. Používajte schválené chrániče sluchu. Používajte schválené chrániče očí.



Vždy používajte schválené ochranné rukavice.



Noste masívne nekĺzavé topánky.



Maximálny počet rezov za minútu.



Šípky zobrazujú obmedzenia pre polohu rukoväte.



Počas používania sa môžu od výrobu odraziť predmety a spôsobiť poranenie.



Počas používania výrobku zachovávajte minimálnu vzdialenosť 15 metrov od ľudí a zvierat.



Operátor musí zabezpečiť, aby sa žiadni ľudia alebo zvieratá nedostali bližšie ako 15 metrov od výrobu. Ak v rovnakom priestore pracuje niekoľko operátorov, bezpečná vzdialenosť medzi nimi musí byť minimálne 15 metrov. Príslušenstvo môže odhodiť predmety, ktoré sa môžu odraziť späť. Ak sa nepoužíva odporúčané bezpečnostné vybavenie, môže to spôsobiť vážne poranenia očí.



Hlukové emisie do okolia sú v súlade so smernicou Európskeho spoločenstva. Emisie nadstavca sú uvedené v kapitole *Technické údaje na strane 266* a na štítku.



Tento nadstavec je v súlade s príslušnými smernicami EÚ.



Tento výrobok je v súlade s príslušnými smernicami EAC.



Tento výrobok je v súlade s príslušnými ukrajinskými smernicami



Výrobok je v súlade so smernicami o elektromagnetickej kompatibilite platnými v Austrálii a na Novom Zélande.

yyyywwxxxx

Výrobné číslo sa uvádza na výrobnom štítku. **yyyy** je rok výroby a **ww** je týždeň výroby.

Poznámka: Ostatné symboly/štítky na rezacom nástroji obsahujú údaje v súlade so zvláštnymi požiadavkami certifikácie pre určité trhy.

EU V



VÝSTRAHA: Nepovolená manipulácia s motorom ruší platnosť typového schválenia tohto výrobku pre EÚ.

DÔLEŽITÉ BEZPEČNOSTNÉ POKYNY

Bezpečnostné definície

Výstrahy, upozornenia a poznámky slúžia na zdôraznenie mimoriadne dôležitých častí návodu na obsluhu.



VÝSTRAHA: Používa sa, ak pre obsluhu alebo osoby v okolí existuje nebezpečenstvo poranenia alebo smrti v prípade nedodržania pokynov v návode.



VAROVANIE: Používa sa, ak hrozí nebezpečenstvo poškodenia produktu alebo nadstavca, iných materiálov alebo okolitej oblasti v prípade nedodržania pokynov v návode.

Poznámka: Používa sa na poskytnutie informácií nad rámec nevyhnutných informácií v danej situácii.

Prečítajte si všetky pokyny



VÝSTRAHA: Pri používaní elektrických záhradných zariadení je nevyhnutné vždy dodržiavať základné bezpečnostné opatrenia na zníženie nebezpečenstva požiaru, úrazu elektrickým prúdom, a vážneho poranenia vrátane nasledujúcich opatrení:

Všeobecné bezpečnostné pokyny



VÝSTRAHA: Skôr než budete nadstavec používať, prečítajte si nasledujúce bezpečnostné pokyny.

- Pred používaním nadstavca si pozorne prečítajte návod na obsluhu a uistite sa, že rozumiete uvedeným pokynom.
- Tieto pokyny dopĺňajú pokyny dodávané spolu s výrobkom. Pri iných operáciách postupujte podľa návodu na obsluhu výrobku.
- Za žiadnych okolností nemeňte pôvodnú konštrukciu nadstavca bez schválenia od výrobcu. Nepoužívajte nadstavec, ktorý sa zdá byť upravený, a vždy používajte originálne príslušenstvo. Nepovolené zmeny alebo príslušenstvo môžu viesť k vážnemu

zraneniu alebo smrti operátora alebo ostatných osôb.

- Nadmerné vystavenie vibráciám môže viesť k poškodeniu krvného obehu alebo nervovým poškodeniam u ľudí, ktorí majú zhoršený krvný obeh. Pri symptómoch nadmerného vystavenia vibráciám sa obráťte na svojho lekára. Tieto príznaky sú típnutie, strata citu, chvenie, pichanie, bolesť, strata sily, zmeny vo farbe a stave pleti. Tieto symptómy sa bežne objavujú na prstoch, rukách a zápästiach. Príznaky sa môžu zhoršiť pri nízkych teplotách.

Bezpečnostné pokyny pre prevádzku



VÝSTRAHA: Skôr než budete produkt používať, prečítajte si nasledujúce výstrahy.

- Produkt používajte len na účely uvedené v tomto návode. Pozrite si časť *Plánované použitie na strane 256*.
- Výrobok nepoužívajte, ak nemáte istotu, že jeho ovládanie zvládnete.
- Nikdy nepoužívajte tento produkt, ak ste unavení, chorí alebo ste pod vplyvom alkoholu, drog alebo liekov. Môže to zhoršiť váš zrak, úsudok alebo koordináciu.
- Výrobok nepoužívajte, ak v prípade nehody nie je k dispozícii pomoc.
- Produkt nepoužívajte, ak sú viditeľné známky poškodenia.
- Skontrolujte, či sa pri chode motora na voľnobeh rezací nadstavec vždy zastaví.
- Zabezpečte, aby sa počas práce nikto nepriblížil do vzdialenosti menšej ako 15 m. Zabezpečte, aby sa v pracovnej oblasti nachádzali len schválené osoby.
- Nedovoľte deťom, aby produkt používali alebo sa k nemu priblížili.
- V pracovnom priestore udržiavajte čistotu a majte ho dobre osvetlený. Produkt nepoužívajte počas nepriaznivých poveternostných podmienok, napríklad v hmle, počas búrky, v silnom vetre, v silnom mraze alebo pri riziku blesku.
- Ak sa počas prevádzky niečo zachytí v čepeliach, zastavte motor a počkajte, kým sa čepele nezastavia. Odmontujte kryt zapalovacej sviečky od sviečky, respektíve odstráňte batériu. Ak chcete pohnúť čepele, zastrčte kombinovaný kľúč do zásuvky skrine prevodovky. Informácie nájdete v časti *Ostrenie čepelí na strane 264*.
- Ak sa čepele poškodia počas používania, horná a spodná čepeľ sa môžu navzájom zachytiť. Nedotýkajte sa čepelí, môžu sa náhle pohnúť a spôsobiť zranenie.

- Počas používania musíte byť v bezpečnej a stabilnej polohe.
- Výrobok môže spôsobiť odhodnenie predmetov vysokou rýchlosťou. Všetky osoby v pracovnej oblasti musia používať schválené osobné ochranné prostriedky. Z pracovnej oblasti odstráňte voľné predmety.
- Ak nosíte chrániče sluchu, sledujte pracovnú oblasť. Keď sa motor zastaví, vždy si zložte chrániče sluchu.
- Ak výrobok nezvyčajne vibruje, vypnite motor. Ak máte benzínové zariadenie, odstráňte zo sviečky kryt zapalovacej sviečky. Ak máte akumulátorové zariadenie, vyberte akumulátor. Okamžite skontrolujte príčinu. Vibrácie zvyčajne upozorňujú na možné poškodenie.
- Nevzdávajte sa od výrobku, keď je zapnutý motor.
- Výrobok držte oboma rukami. Výrobok držte napravo od tela. Počas prevádzky držte výrobok s rezacím nastavcom pod úroveň pásu.



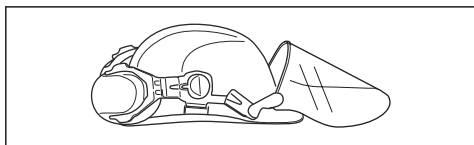
- Rezací nastavec musí sekať smerom od obsluhy. Sekanie v smere obsluhy môže spôsobiť vážne zranenia.
- Dávajte pozor, aby sa ruky a nohy nedostali do kontaktu s čepelami, kým je spustený motor.

Osobné ochranné prostriedky

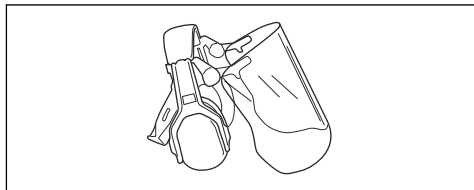


VÝSTRAHA: Skôr než budete produkt používať, prečítajte si nasledujúce výstrahy.

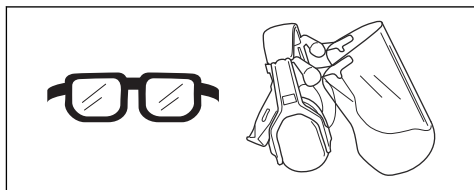
- Pri používaní produktu vždy používajte schválené osobné ochranné prostriedky. Osobné ochranné prostriedky nedokážu úplne vylúčiť riziko, ale môžu znížiť vážnosť zranenia v prípade nehody. Váš predajca vám pomôže pri výbere správnych prostriedkov.
- V prípade rizika padajúcich predmetov používajte ochrannú prilbu.



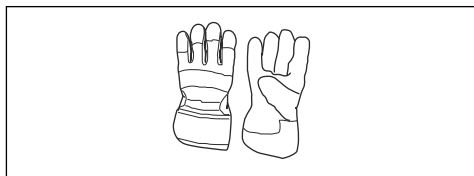
- Pri dlhodobom vystavení hluku hrozí riziko poškodenia sluchu. Produkty napájané batériami bývajú spravidla relatívne tiché, ale hladina hluku v kombinácii s dlhodobejším používaním môže spôsobiť poškodenie. Spoločnosť Husqvarna odporúča, aby pracovníci obsluhujúci produkt počas dlhších súvislých úsekov dňa nosili chrániče sluchu. Osoby, ktoré produkt používajú sústavne a pravidelne, by si mali nechať pravidelne kontrolovať sluch. Myslite na to, že chrániče sluchu obmedzujú schopnosť počuť zvuky a varovné signály.



- Používajte schválené chrániče očí. Ak používate štít, musíte tiež používať schválené ochranné okuliare. Schválené ochranné okuliare musia zodpovedať norme ANSI Z87.1 platnej v USA alebo norme EN 166 platnej v krajinách EÚ.



- Keď je to potrebné, používajte rukavice, napríklad pri kontrole alebo čistení výrobku.



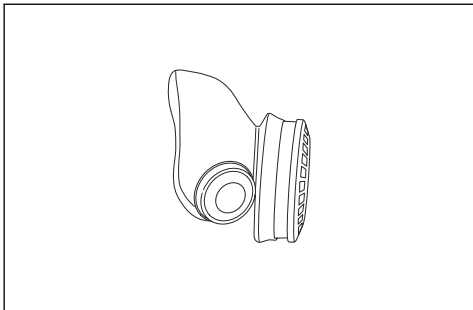
- Používajte ochrannú obuv s protišmykovými podrážkami.



- Používajte odev vyrobený z pevnej tkaniny. Vždy noste pevné, dlhé nohavice a dlhé rukávy. Nepoužívajte voľný odev, ktorý sa môže zachytiť v konároch a vetvách. Nenoste šperky, krátke

nohavice, otvorené topánky a nebuďte bosí. Vlasy si bezpečne uchýťte nad úrovňou ramien.

- V prašnom prostredí používajte dýchaciu masku.



- Majte poruke pomôcky na poskytnutie prvej pomoci.



Bezpečnostné zariadenia na nadstavci



VÝSTRAHA: Skôr než budete nadstavec používať, prečítajte si nasledujúce výstrahy.

V tejto časti sa uvádza popis bezpečnostných funkcií nadstavca, jeho účel a spôsob vykonávania kontrol a údržby, aby bola zabezpečená správna činnosť nadstavca. Pozrite si pokyny v časti *Prehľad rezacieho nadstavca na strane 256*, kde nájdete umiestnenie týchto súčastí na nadstavca.

Ak sa údržba nadstavca nebude vykonávať správne a ak sa servis alebo opravy nebudú vykonávať odborné, skráti sa tým jeho životnosť a zvýši sa nebezpečenstvo nehôd. Ak potrebujete podrobnejšie informácie, obráťte sa na najbližší servis.



VÝSTRAHA: Nikdy nepoužívajte nadstavec, ktorý má chybné bezpečnostné súčasti. Bezpečnostné vybavenie nadstavca sa musí kontrolovať a udržiavať tak, ako je to opísané v tejto časti. Ak nadstavec neprejde niektorou z kontrol, obráťte sa na servisného zástupcu a požiadajte ho o opravu.



VÝSTRAHA: Všetky servisné a opravné práce na výrobku si vyžadujú špeciálne školenie. Platí to najmä o bezpečnostnom vybavení výrobku. Ak výrobok neprejde niektorou z kontrol popísaných nižšie, obráťte sa na servisného zástupcu. Pri kúpe ktoréhokoľvek z našich výrobkov vám zaručíme dostupnosť odborných opráv a

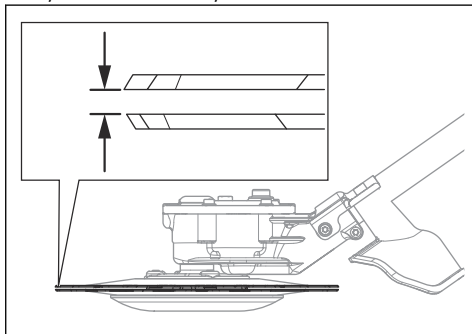
servis. Ak maloobchodný predajca, ktorý vám výrobok predáva, nie je servisný technik, požiadajte ho o adresu najbližšej servisnej dielne.

Kontrola rezacieho nadstavca a krytu rezacieho nadstavca

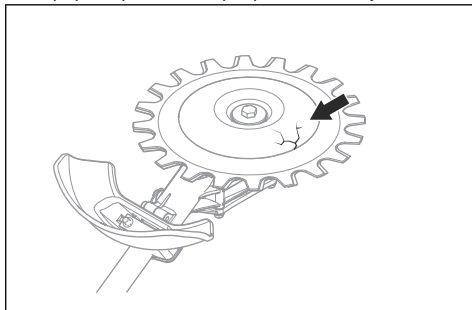


VÝSTRAHA: Nepoužívajte rezací nadstavec bez schváleného ochranného krytu. Použitie nesprávneho alebo poškodeného krytu rezacieho nadstavca môže zapríčiniť zranenie.

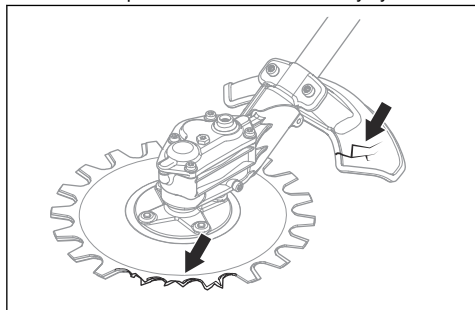
1. Zastavte motor a uistite sa, že sa rezací nadstavec zastaví.
2. Ak máte benzínové zariadenie, odstráňte zo sviečky kryt zapaľovacej sviečky. Ak máte zariadenie na batériu, vyberte batériu z výrobku.
3. Používajte ochranné rukavice.
4. Skontrolujte, či čepele nie sú poškodené. Ak sú čepele poškodené, vymeňte ich. Pozrite si časť *Výmena čepeľí na strane 264*.
5. Skontrolujte čepele. Uistite sa, či medzi čepeľami nie je žiadny voľný priestor. Ak je medzi čepeľami voľný priestor, čepele je nutné upraviť. Pozrite si časť *Úprava vôle medzi čepeľami na strane 265*.



6. Uistite sa, či nie je poškodená podporná miska. V prípade poškodenia podpornú misku vymeňte.



7. Uistite sa, či sú skrutky na reznom nastavci utiahnuté.
8. Uistite sa, či nie sú čepce a kryt rezacieho nastavca poškodené. Poškodené diely vymeňte.



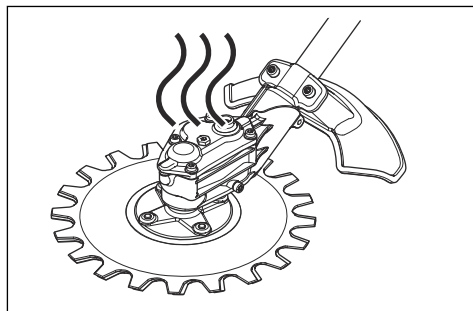
Bezpečnostné pokyny pre údržbu



VÝSTRAHA: Rotácia rezacieho nastavca môže pokračovať aj po uvoľnení plynu/páčky vypínača. Ak máte benzínové zariadenie, odstráňte zo sviečky kryt zapalovacej sviečky. Ak máte zariadenie na batériu, vyberte batériu z výrobku. Pred vykonávaním údržby sa uistite, či sa rezací nastavec úplne zastavil.



VÝSTRAHA: Skriňa prevodovky sa počas prevádzky výrobku zahrieva. Horúce povrchy vás môžu popáliť, nedotýkajte sa skrine prevodovky.



- Pri oprave rezacieho nastavca vždy noste odolné rukavice. Rezné zariadenie je veľmi ostré a ľahko sa môžete porezať.
- Pri oprave používajte výhradne originálne náhradné diely.

UCHOVAJTE SI TIETO POKYNY

Prevádzka

Pracovný postup



VÝSTRAHA: Medzi kryt a rezací nastavec sa môžu zachytiť vetvy alebo zvyšky rastlín. Pred čistením rezacieho nastavca vždy vypnite motor.

- Pri pílení používajte plný plyn/otáčky a po každom reze znižujte rýchlosť na voľnobežné otáčky.

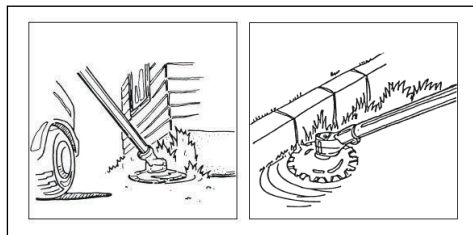


VAROVANIE: Ak motor pracuje príliš dlho na plný plyn a bez zaťaženia, môže dôjsť k jeho poškodeniu.

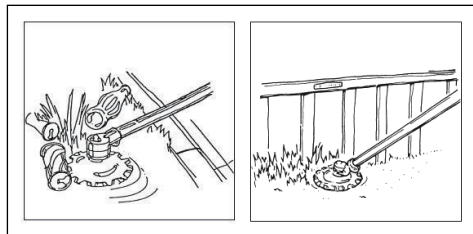
Odporúčané používanie rezacieho nastavca

Čepce rezacieho nastavca sa pohybujú v malom uhle a môžu rezať vo všetkých smeroch. Rezací nastavec posúvajte pri zemi v takej výške, aby sa podporná miska dotýkala zeme. Rezací nastavec používajte na sekanie:

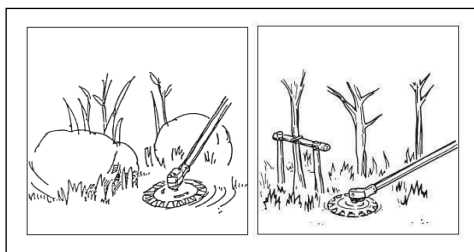
- parkovacích plôch a okrajov ciest,



- okolia ciest a plotov,



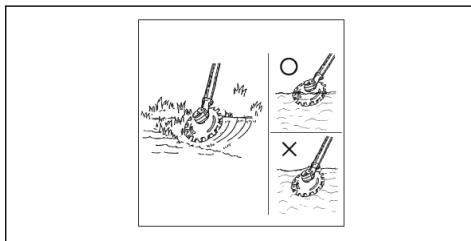
- okolia skál a stromov,



- miest v blízkosti vody.



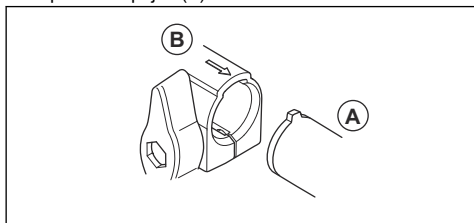
VAROVANIE: Neponárajte skriňu prevodovky do vody.



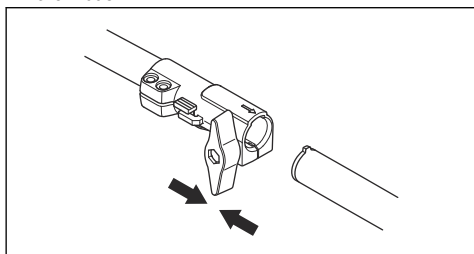
Montáž

Montáž dvojdielného hriadeľa

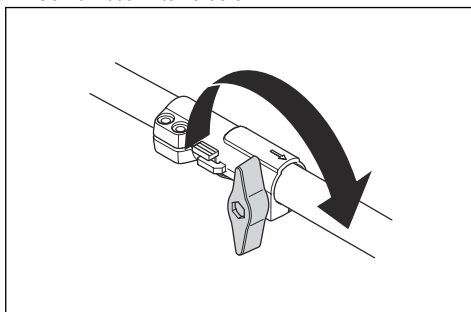
1. Otočením gombíka uvoľníte spojku.
2. Zarovnajte úchytka rezacieho nadstavca (A) so šípku na spojke (B).



3. Opatrne zatlačajte hriadeľ do spojky, kým nezaznie cvaknutie.

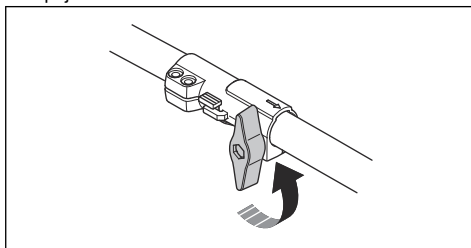


4. Gombík utiahnite na doraz.



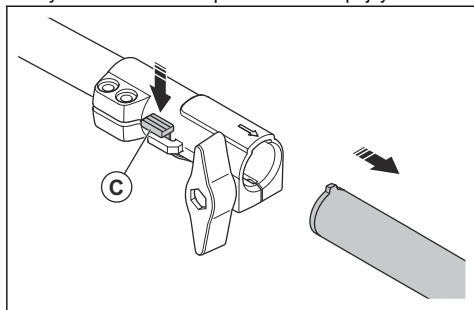
Demontáž dvojdielného hriadeľa

1. Otočením gombíka o tri alebo viac otáčok uvoľníte spojku.



2. Stlačte a podržte tlačidlo (C).
3. Pevne uchopte koniec hriadeľa, ku ktorému je pripravený motor.

4. Vytiahnite nastavtec priamo von zo spojky.



Údržba

Úvod

V nasledujúcom texte sú uvedené niektoré všeobecné pokyny na údržbu. Ak potrebujete podrobnejšie informácie, kontaktujte vášho predajcu.

Poznámka: Obsluha je povinná vykonávať iba údržbu a servisné úkony na rezacom nastavci uvedené v tomto návode na obsluhu. Ďalšie servisné a opravné práce musí vykonať autorizovaná servisná dielňa.

Plán údržby

Nasleduje zoznam postupov údržby, ktoré musíte vykonávať na rezacom nastavci.

Údržba	Denne	Týžd- enne	Mesačne
Vyčistite vonkajšie časti výrobku.	X		
Skontrolujte, či čepele nie sú poškodené. Ak sú čepele poškodené, vymeňte ich.	X		
Skontrolujte, či ochranný kryt rezacieho nastavca nie je poškodený. Ak je kryt rezacieho nastavca poškodený, vymeňte ho.	X		
Uistite sa, či nie je poškodená podporná miska. V prípade poškodenia podpornú misku vymeňte.	X		
Skontrolujte, či sú matice a skrutky dotiahnuté.	X		
Skriňu prevodovky naplňte mazivom približne každých 100 pracovných hodín.		X	

Čistenie a mazanie čepeľí

1. Pred použitím a po použití výrobku odstráňte z nožov nežiaduci materiál.
2. Pred uskladnením na dlhé obdobie nože namažte.

Poznámka: Ak potrebujete ďalšie informácie o odporúčaných čistiacich prostriedkoch a mazivách, obráťte sa na servisného predajcu.

skriňa prevodovky plná maziva, môže dôjsť k poškodeniu tesnenia a úniku maziva.

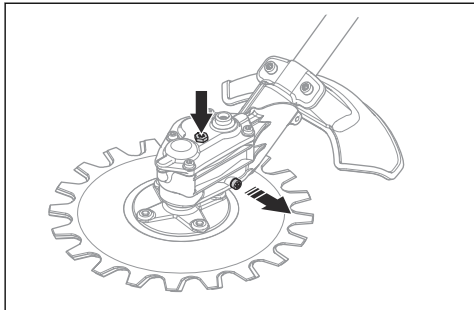
1. Odstráňte mazacie zátky.

Mazanie skrine prevodovky



VAROVANIE: Skriňu prevodovky nenapĺňajte mazivom na maximum. Ak je

2. Pridajte mazivo do horného otvoru.



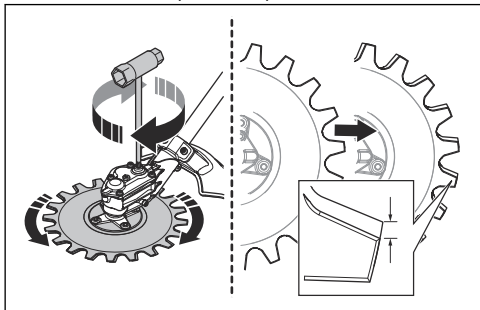
3. Nasadte mazacie zátky.

Ostrenie čepelí

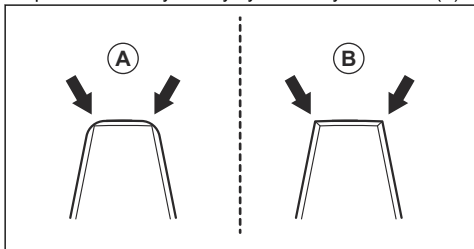


VÝSTRAHA: Na uchopenie čepelí používajte ochranné rukavice.

1. Zastrčte kombinovaný kľúč do zásuvky v skrine prevodovky.
2. Otáčajte kombinovaným kľúčom, kým vzdialenosť medzi hornou a spodnou čepeľou nebude 3 mm.

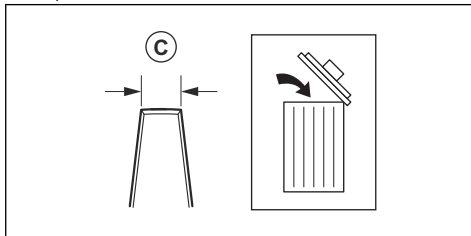


3. Naostríte okraje (B), ku ktorým sa dostanete, pomocou brúsky. Hrany by nemali byť zaoblené (A).



4. Ak sa chcete dostať k opačným hranám, otočte kombinovaným kľúčom v opačnom smere.
5. Naostríte hrany, ku ktorým sa dostanete, pomocou brúske.

6. Ak je šírka zubu menšia než 8 mm (C), vymeňte čepele.



Výmena čepelí



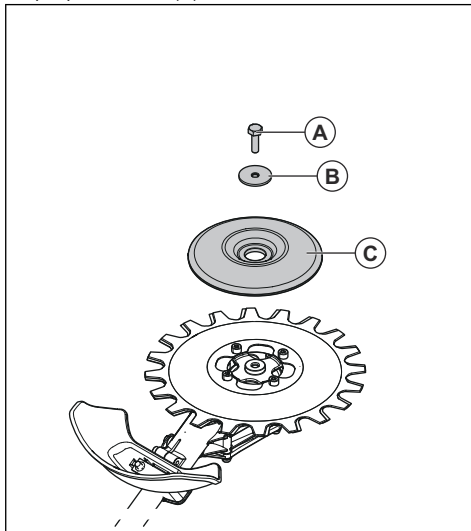
VÝSTRAHA: Na uchopenie čepelí používajte ochranné rukavice.



VÝSTRAHA: Pri výmene čepelí očistite rezací nadstavec, aby ste zamedzili narušeniu rovnováhy a vibrovaniu výrobku.

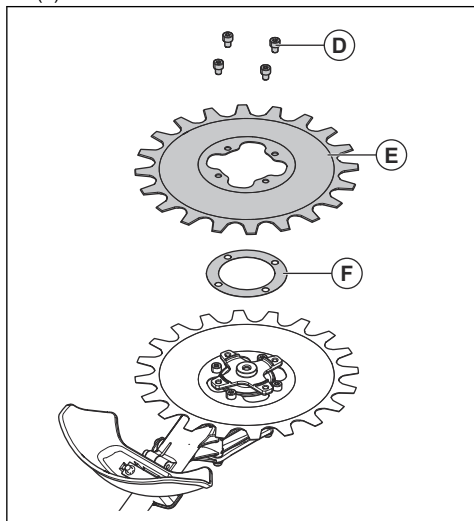
Poznámka: Čepele sú zameniteľné.

1. Odstráňte strednú skrutku (A), podložku (B) a podpornú misku (C).

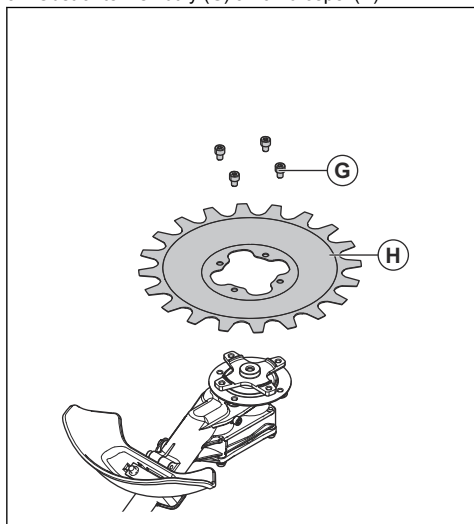


Poznámka: Stredná skrutka má ľavý závit.

2. Odstráňte 4 skrutky (D), spodnú čepeľ (E) a pliešok (F).



3. Odstráňte 4 skrutky (G) a hornú čepeľ (H).



4. Namontujte čepele v opačnom poradí. Pri montáži čepeľí utiahnite skrutky rovnako.

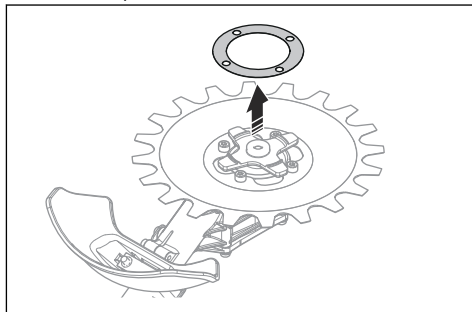
Úprava vôle medzi čepeľami



VÝSTRAHA: Na uchopenie čepeľí používajte ochranné rukavice.

1. Odstráňte spodnú čepeľ, pozrite si časť *Výmena čepeľí na strane 264*.

2. Odstráňte pliešok.



Poznámka: Odložte si pliešok, kým nenastane čas na nasadenie čepeľí.

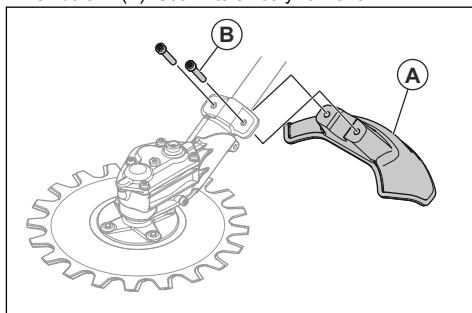
3. Namontujte spodnú čepeľ. Pri montáži čepeľí utiahnite skrutky rovnako.

Výmena krytu rezacieho nadstavca



VÝSTRAHA: Na uchopenie čepeľí používajte ochranné rukavice

- Odstráňte 2 skrutky (B) a kryt rezacieho nadstavca (A).
- Namontujte nový kryt rezacieho nadstavca (A) s 2 skrutkami (B). Uťahnite skrutky rovnako.



Preprava, skladovanie a likvidácia

Preprava a uskladnenie

- Keď sa výrobok nepoužíva, prepravuje sa alebo sa skladuje, transportný kryt musí byť správne pripravený k rezaciemu nadstavcu.
- Rezací nadstavec skladujte v uzamknutom priestore mimo dosahu detí a neoprávnených osôb.

- Počas prepravy rezací nadstavec bezpečne pripevnite, aby ste predišli poškodeniu a nehodám.
- Pred dlhodobým skladovaním vykonajte kompletný servis rezacieho nadstavca a vyčistite ho.

Technické údaje

Technické údaje

RA850	
Hmotnosť	
Hmotnosť, kg	2,5
Emisie hluku⁶¹	
Nameraná úroveň hlučnosti dB(A)	102
Zaručená úroveň hlučnosti L_{WA} , dB (A)	105
Hladiny hluku⁶²	
Ekvivalentná hladina akustického tlaku pri uchu používateľa meraná podľa normy EN ISO 11806-1 a EN ISO 22868, dB(A)	
Vybavený schváleným príslušenstvom (originál)	90
Úrovně vibrácií⁶³	
Ekvivalentná hladina vibrácií ($a_{hv,eq}$) na rukovätiach, meraná podľa normy EN ISO 11806-1 a ISO 22867, m/s^2 :	
Vybavený schváleným príslušenstvom (originál), vľavo/vpravo	3,9/4,8
Čepele	
Priemer, mm	230
Rýchlosť čepelí, rezy/min	4600

⁶¹ Emisie hluku merané ako akustický výkon (L_{WA}) v súlade s európskou smernicou 2000/14/ES. Uvádzaná hladina akustického výkonu pre stroj bola meraná s originálnym rezacím nadstavcom, ktorý produkuje najvyššiu úroveň. Rozdiel medzi zaručeným a nameraným akustickým výkonom spočíva v tom, že zaručený akustický výkon zahŕňa aj rozptyl výsledkov merania a rozdiely medzi jednotlivými strojmi rovnakého modelu v súlade so smernicou 2000/14/ES.

⁶² Uvádzané údaje pre ekvivalentnú hladinu akustického tlaku majú typický štatistický rozptyl (štandardnú odchýlku) 1 dB (A).

⁶³ Uvádzané údaje pre ekvivalentnú hladinu vibrácií majú typický štatistický rozptyl (štandardnú odchýlku) 1 m/s^2 .

ES vyhlásenie o zhode

ES vyhlásenie o zhode

Husqvarna AB, SE-561 82 Huskvarna, Švédsko, tel.: +46-36-146500, vyhlasuje, že reciprocator attachment **Husqvarna RA850** s výrobnými číslami od roku 2019 (rok je zreteľne uvedený na výkonovom štítku, za ním nasleduje výrobné číslo) vyhovuje požiadavkám SMERNICE RADY:

- zo 17. mája 2006 o strojových zariadeniach **2006/42/ES**,
- z 8. júna 2011 „o obmedzení používania určitých nebezpečných látok v elektrických a elektronických zariadeniach“, **2011/65/EÚ**.
- z 8. mája 2000 týkajúca sa emisii hluku zariadení používaných vo vonkajšom priestore **2000/14/ES**. Hodnotenie zhody podľa dodatku V. Informácie týkajúce sa emisii hluku nájdete v kapitole Technické údaje.

Boli uplatnené nasledujúce normy:

EN ISO 11806-1:2011, EN 50581:2012

RISE SMP Svensk Maskinprovning AB, Box 7035, SE-750 07 Uppsala, Sweden vykonal dobrovoľnú typovú skúšku pre spoločnosť Husqvarna AB. Certifikáty majú čísla: **SEC/19/2528**

Huskvarna, 2019-03-11



Per Gustafsson, manažér pre oblasť vývoja
(autorizovaný zástupca spoločnosti Husqvarna AB a
osoba zodpovedná za technickú dokumentáciu)

VSEBINA

Uvod.....	268	Vzdrževanje.....	275
Varnost.....	270	Transport skladiščenje in odstranitev.....	278
Delovanje.....	273	Tehnični podatki.....	278
Montaža.....	274	Izjava ES o skladnosti.....	279

Uvod

Namen uporabe



OPOZORILO: Rezalni priključek se lahko uporablja le z združljivimi izdelki. Glejte navodila za uporabo izdelka.

Rezalni priključek se uporablja za rezanje trave in drobnih vejic.

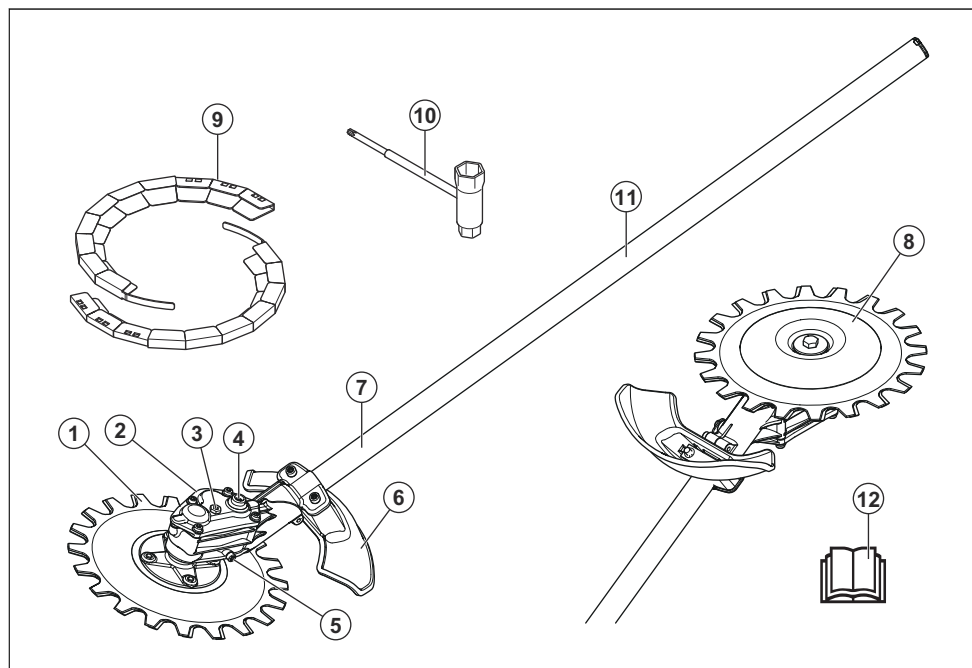
Opomba: Uporabo tega izdelka je lahko omejena z nacionalnimi predpisi.

Opis izdelka

Nenehno razvijamo in izpopolnjujemo svoje izdelke in si zato pridržujemo pravico do sprememb njihove oblike in videza brez predhodnega opozorila.

Opomba: Ta priročnik vsebuje navodila tako za električne naprave na bencin kot tudi za tiste na baterije.

Pregled delov rezalnega priključka



1. Rezilo
2. Ohišje menjalnika
3. Zgornji čep za mast

4. Inbusna luknja za ročno premikanje rezil
5. Spodnji čep za mast
6. Ščitnik rezalnega priključka

7. Gred
8. Podporna skleda
9. Transportna zaščita
10. Kombiniran ključ
11. Nalepka z informacijami in opozorili
12. Navodila za uporabo

Simboli na priključku in na električni napravi



Površna in napačna uporaba tega priključka lahko povzroči hude telesne poškodbe in celo smrt uporabnika ali drugih oseb.



Pred začetkom uporabe priključka natančno preberite navodila za uporabo in se prepričajte, da ste jih razumeli.



Na območjih, kjer bi lahko na vas padel kakšen predmet, uporabljajte zaščitno čelado. Uporabljajte odobreno zaščito za sluh. Uporabljajte odobreno zaščito oči.



Vedno uporabljajte atestirane zaščitne rokavice.



Uporabljajte vedno grobe škornje, v katerih ne drsi.



Največje število rezov na minuto.



Puščici prikazujeta meje položaja ročaja.



Izdelek lahko povzroči izmet predmetov, kar lahko vodi do poškodb.



Med uporabo izdelka bodite na varni razdalji 15 m/50 čevljev od drugih oseb in živali.



Uporabnik mora poskrbeti, da v območju 15 metrov okrog in okrog naprave ni nobene osebe ali živali. Če več uporabnikov dela na istem mestu, morajo upoštevati medsebojno varnostno razdaljo vsaj 15 metrov. Priključek lahko izvrže predmete, ki se lahko odbijejo nazaj. Če ne uporabljate priporočene varnostne opreme, lahko pride do resnih poškodb oči.



Emisija hrupa v okolje v skladu z direktivo Evropske skupnosti. Podatki o emisijah priključka so navedeni v poglavju *Tehnični podatki na strani 278* in na nalepki.



Priključek je v skladu z veljavnimi direktivami ES.



Izdelek je skladen z veljavnimi direktivami EAC.



Izdelek je skladen z veljavnimi direktivami Ukrajine



Izdelek je v skladu z veljavnimi direktivami Avstralije in Nove Zelandije o elektromagnetni združljivosti.

yyyywwxxxx

Na serijski nalepki je navedena serijska številka. **yyyy** pomeni leto proizvodnje, **ww** pa označuje teden proizvodnje.

Opomba: Ostali znaki in nalepke na priključku se nanašajo na specifične certifikacijske zahteve, ki veljajo na nekaterih tržiščih.

EU V



OPOZORILO: Zaradi predelave motorja se razveljavi EU-homologacija tega izdelka.

POMEMBNA VARNOSTNA NAVODILA

Varnostne definicije

Opozorila, previdnostni ukrepi in opombe se uporabljajo za izpostavljanje zlasti pomembnih delov navodil za uporabo.



OPOZORILO: Se uporabi, če obstaja nevarnost poškodbe ali življenjske ogroženosti operaterja ali opazovalcev ob neupoštevanju navodil v tem priročniku.



POZOR: Se aktivira, če obstaja nevarnost poškodbe izdelka in/ali nastavka, drugih materialov ali okolice ob neupoštevanju navodil v tem priročniku.

Opomba: Se uporabi za podajanje podrobnejših informacij, potrebnih v dani situaciji.

Preberite vsa navodila



OPOZORILO: Pri uporabi električnih vrtnih naprav morate vedno upoštevati in izvajati osnovne varnostne predpise, s čimer zmanjšate nevarnost požara, električnega udara in telesnih poškodb. Upoštevajte naslednje:

Splošna varnostna navodila



OPOZORILO: Preden začnete uporabljati pripomoček, preberite naslednja varnostna navodila.

- Pred začetkom uporabe priključka natančno preberite navodila za uporabo in se prepričajte, da ste jih razumeli.
- Ta navodila so dopolnilo k navodilom, ki so priložena izdelku. Za druge postopke si ogledajte navodila za uporabo izdelka.
- Nikoli ne smete spreminjati prvotne izvedbe priključka brez predhodnega dovoljenja proizvajalca. Ne uporabljajte priključka, če opazite, da ga je spreminjal nekdo drug, in vedno uporabljajte originalno dodatno opremo. Spremembe brez pooblastila in/ali neoriginalni deli lahko povzročijo resne poškodbe ali smrt uporabnika in drugih.

- Pri ljudeh, ki imajo težave s krvnim obtokom, lahko pretirana izpostavljenost tresljam povzroči poškodbe ožilja ali živčevja. Če opazite znamenja pretirane izpostavljenosti tresljam, se posvetujte z zdravnikom. Ti simptomi zajemajo otrplost, izgubo občutenja, ščemenje, zbadanje, bolečino, zmanjšano moč in spremembe barve ali stanja kože. Običajno se pojavijo v prstih, na rokah ali na zapestjih. Ti simptomi so lahko izrazitejši pri nizkih temperaturah.

Varnostna navodila za uporabo



OPOZORILO: Pred uporabo izdelka preberite navodila v povezavi z opozorili v nadaljevanju.

- Izdelek uporabljajte samo za opravila, ki so opisana v tem priročniku. Glejte razdelek *Namen uporabe na strani 268*.
- Ne uporabljajte izdelka, če niste prepričani, da ga lahko upravljate.
- Ne uporabljajte tega izdelka, ko ste utrujeni, bolni ali ko ste pod vplivom alkohola, mamil ali zdravil. Vse to lahko namreč slabo vpliva na vaš vid, presojo ali koordinacijo.
- Izdelka ne uporabljajte, če v primeru nesreče ne morete pravočasno prejeti pomoči.
- Ne uporabljajte izdelka, če so na njem znaki poškodb.
- Prepričajte se, da se rezalni priključek vedno ustavi, ko je motor v prostem teku.
- Poskrbite, da se vam nihče ne približa na razdaljo manjšo od 15 m/50 čevljev, ko delate s pripomočkom. Poskrbite, da se v delovnem območju ne zadržujejo tretje osebe.
- Otrokom ne dovolite uporabljati izdelka ali se zadrževati v njegovi bližini.
- Delovno območje naj bo čisto in dobro osvetljeno. Izdelka nikoli ne uporabljajte v slabem vremenu, na primer v megli, v dežju, pri močnem vetru, mrazu, če obstaja nevarnost strele.
- Če se med delovanjem kaj ujame med rezili, ustavite motor in počakajte, da se rezili ustavita. Odstranite pokrov svečke/odstranite baterijo. Vstavite kombiniran ključ v inbusno luknjo v ohišju menjalnika, da premaknete rezila; glejte *Brušenje rezil na strani 276*.
- Če se rezila med delovanjem poškodujejo, se lahko zgornje rezilo zatakne v spodnje rezilo. Ne dotikajte se rezil, saj se lahko nenadoma sprostijo in vas poškodujejo.
- Med rezanjem morate biti v varnem in stabilnem položaju.
- Izdelek lahko povzroči izmet predmetov z veliko hitrostjo. Prepričajte se, da vse osebe v delovnem

območju nosijo osebno zaščitno opremo. Odstranite nepritrjene predmete iz delovnega območja.

- Pozorno spremljajte delovno območje, ko uporabljate zaščito za sluh. Ko se motor ustavi, vedno odstranite zaščito za sluh.
- Če izdelek neobičajno vibrira, ustavite motor. Če imate izdelek, ki deluje na bencin, odstranite pokrov svečke s svečke. Če imate izdelek, ki deluje na baterijo, jo odstranite. Nemudoma poiščite vzrok. Tresenje običajno opozarja na poškodbo.
- Ko je motor vklopljen, se ne oddaljajte od izdelka.
- Izdelek držite z 2 rokama. Izdelek držite ob svojem desnem boku. Rezalni priključek naj bo med uporabo izdelka pod višino pasu.



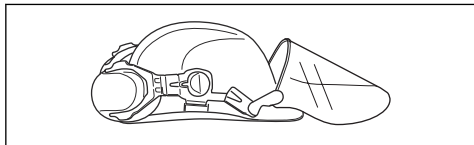
- Rezalni priključek mora biti med delovanjem obrnjen in rezati stran od upravljalca. Rezanje proti upravljalcu lahko povzroči hude poškodbe.
- Ko je motor vključen, z rokami ali nogami ne segajte v bližino območja rezila.

Osebna zaščitna oprema



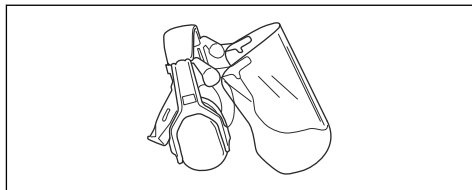
OPOZORILO: Pred uporabo izdelka preberite navodila v povezavi z opozorili v nadaljevanju.

- Pri uporabi izdelka vedno uporabljajte odobreno osebno zaščitno opremo. Osebna zaščitna oprema ne more popolnoma preprečiti poškodb, vendar v primeru nesreče omili posledice. Prodajalec naj vam pomaga izbrati ustrezno opremo.
- Uporabljajte zaščitno čelado, če obstaja nevarnost padajočih predmetov

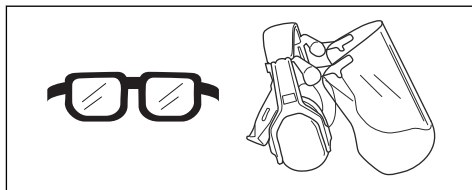


- Dolgotrajna izpostavljenost hrupu lahko povzroči okvare sluha. Baterijski izdelki so na splošno razmeroma tihi, okvaro lahko povzroči kombinacija ravnih hrupa in dolgotrajne rabe. Husqvarna priporoča uporabo zaščite za sluh pri daljši stalni uporabi izdelkov. Pogosti in redni uporabniki bi morali imeti

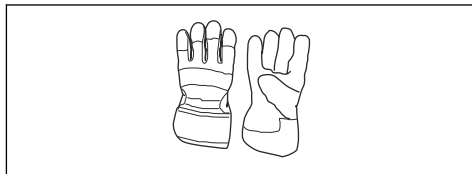
redne preglede sluha. Upoštevajte, da zaščite za sluh omejujejo slišnost zvokov in opozorilnih signalov.



- Uporabljajte odobreno zaščitno oči. Tudi če uporabljate vizir, morate vedno uporabljati tudi homologirana zaščitna očala. Homologirana zaščitna očala morajo biti skladna s standardom ANSI Z87.1 za ZDA ali s standardom EN 166 za države EU.



- Ko je potrebno, si nadenite rokavice, npr. ko pregledujete ali čistite izdelek.

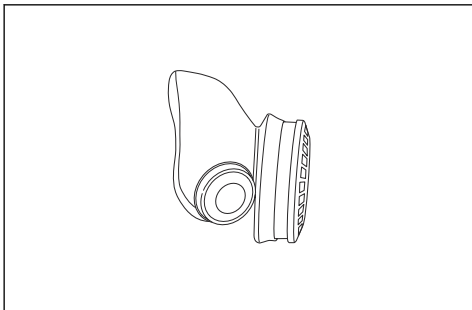


- Uporabljajte zaščitno obutev, ali čevlje z nedrsečimi podplati.

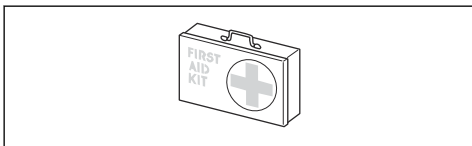


- Uporabljajte oblačila iz trpežnih materialov. Vedno uporabljajte trpežne dolge hlače in dolge rokave. Ne uporabljajte ohlapnih oblačil, ki se lahko zataknejo za vejice ali veje. Ne nosite nakita, kratkih hlač in odprtih čevljev in ne hodite bosi. Lase si varno spnite nad rameni.

- Če obstaja nevarnost prašenja, uporabljajte dihalno masko.



- Paket prve pomoči hranite na dosegu roke.



Varnostne naprave na priključku



OPOZORILO: Pred uporabo priključka preberite navodila v povezavi z opozorili v nadaljevanju.

V tem poglavju je opisana zaščitna oprema priključkov, namen zaščitnih funkcij ter priporočeni načini preverjanja in vzdrževanja za zagotavljanje pravilnega delovanja. Za mesta delov na priključku si oglejte navodila pod naslovom *Pregled delov rezalnega priključka na strani 268*.

Življenjska doba priključka se lahko zaradi nepravilnega vzdrževanja oziroma zaradi nestrokovnih popravil ali servisiranja skrajša, poveča pa se tudi nevarnost nesreč. Če potrebujete več informacij, se obrnite na najbližjega pooblaščenega servisnega trgovca.



OPOZORILO: Nikoli ne uporabljajte priključka s poškodovanimi varnostnimi deli. Varnostno opremo priključka je treba pregledovati in vzdrževati v skladu z navodili, ki so podana v tem poglavju. Če priključek ob pregledu ne izpolnjuje vseh opisanih pogojev, se nemudoma obrnite na pooblaščenega serviserja za popravilo.



OPOZORILO: Za vsa servisna dela in popravila na izdelku je treba opraviti posebno usposabljanje. To še posebej velja za varnostno opremo izdelka. Če pri spodaj opisanem pregledu ugotovite, da kateri koli del izdelka ne deluje tako, kot je opisano spodaj, se nemudoma obrnite na pooblaščenega servisno delavnico. Pri nakupu

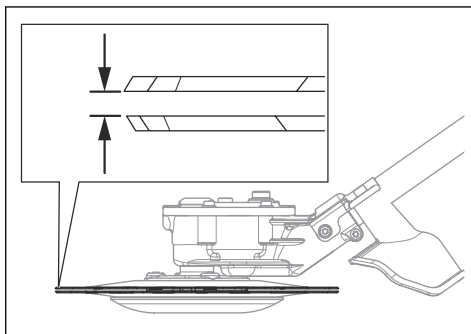
vseh naših izdelkov vam jamčimo dostop do strokovnih popravil in servisa. Če izdelka niste kupili v kateri od naših pooblaščenih servisnih prodajaln, prodajalca vprašajte o najbližji pooblaščenici servisni delavnici.

Pregled rezalnega priključka in ščitnika rezalnega priključka

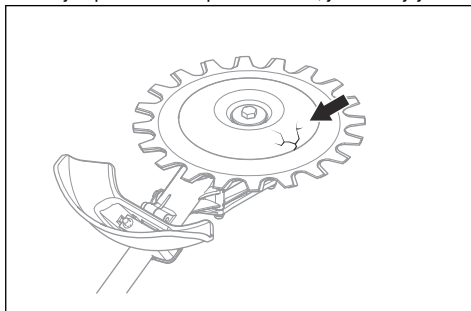


OPOZORILO: Ne uporabljajte rezalnih priključkov, če pred tem niste namestili homologiranega rezalnega priključka. Če namestite napačen ali poškodovan ščitnik rezalnega priključka, lahko pride do hudih poškodb.

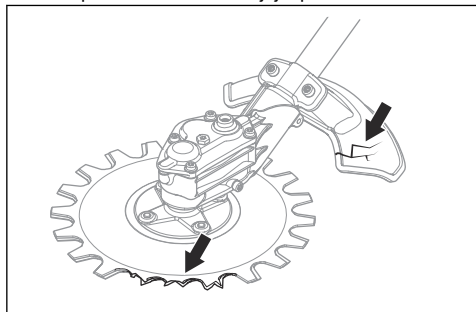
1. Zaustavite stroj in se prepričajte, da se je rezalni priključek ustavil.
2. Če imate izdelek, ki deluje na bencin, odstranite pokrov svečke s svečke. Če imate izdelek, ki deluje na baterijo, jo odstranite iz izdelka.
3. Nadenite si zaščitne rokavice.
4. Prepričajte se, da rezila niso poškodovana. Če sta rezila poškodovani, ju zamenjajte. Glejte razdelek *Zamenjava rezil na strani 276*.
5. Preglejte rezila. Prepričajte se, da med rezili ni razmika. Če sta rezili razmaknjeni, ju je treba prilagoditi. Glejte razdelek *Prilagoditev razmika med rezili na strani 277*.



6. Prepričajte se, da podporna skleda ni poškodovana. Če je oporna skleda poškodovana, jo zamenjajte.



7. Prepričajte se, da so vijaki na rezalnem priključku dobro privity.
8. Prepričajte se, da rezila in ščitnik rezilnega priključka nista poškodovana. Zamenjajte poškodovane dele.



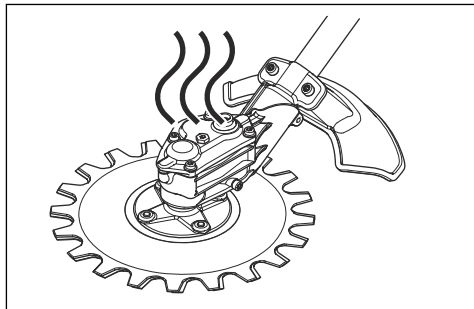
Varnostna navodila za vzdrževanje



OPOZORILO: Rezalni priključek se lahko še vrti, tudi ko sprostite plin/sprožilac plina. Če imate izdelek, ki deluje na bencin, odstranite pokrov svečke s svečke. Če imate izdelek, ki deluje na baterijo, jo odstranite iz izdelka. Preden začnete z vzdrževanjem, se prepričajte, da se je rezalni priključek popolnoma ustavil.



OPOZORILO: Ohišje menjalnika se med delovanjem izdelka segreje. Vroče površine vas lahko opečejo, zato se ohišja menjalnika ne dotikajte.



- Ko popravljate rezalni priključek, vedno nosite močne zaščitne rokavice. Rezalna oprema je zelo ostra in z njo se lahko hitro urežete.
- Za popravila uporabljajte samo originalne nadomestne dele.

SHRANITE TA NAVODILA

Delovanje

Tehnika dela



OPOZORILO: Veje ali trava se lahko ujamejo med rezalni priključek in njegov ščitnik. Pred čiščenjem rezilnega priključka vedno ustavite motor.

- Režite s polnim plinom, po končanem rezanju pa zmanjšajte število vrtljajev na prosti tek.

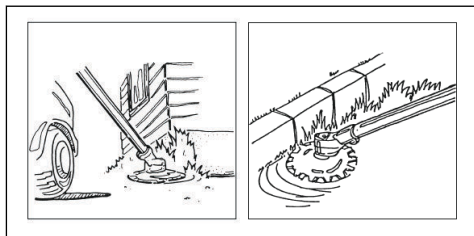


POZOR: Če motor predolgo deluje s polnim plinom brez obremenitve, lahko pride do poškodbe motorja.

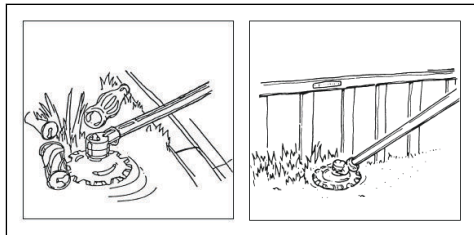
Priporočena uporaba rezalnega priključka

Rezila rezalnega priključka se premikajo pod majhnim kotom in lahko režejo v vse smeri. Rezalni priključek premikajte vzporedno s tlemi na takšni višini, da se podporna skleda dotika tal. Z rezalnim priključkom lahko režete:

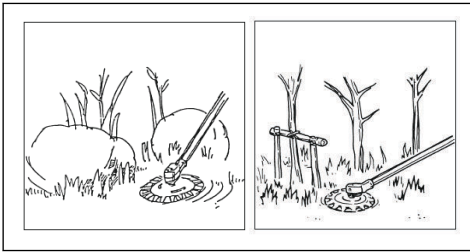
- Na parkiriščih in ob cestnih robnikih



- Ob cestah in ograjah



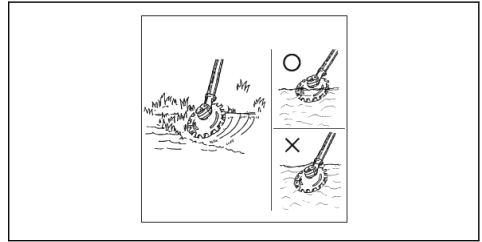
- Okrog kamenja in dreves



- V bližini vode



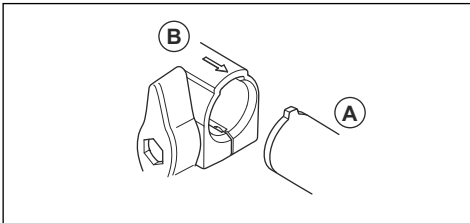
POZOR: Ohišja menjalnika ne potopite v vodo.



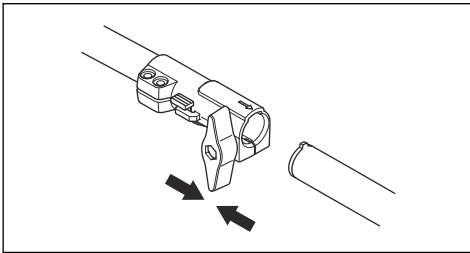
Montaža

Namestitev dvodelne gredi

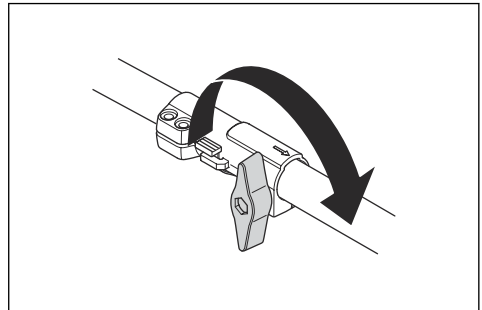
1. Obrnite gumbni vijak za sprostitev priključek gredi.
2. Jeziček rezalnega priključka (A) poravnajte s puščico na spojki (B).



3. Previdno potisnite gred v spojko, da se slišno zaskoči.

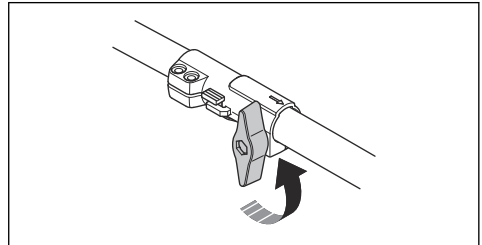


4. Popolnoma zategnite gumbni vijak.



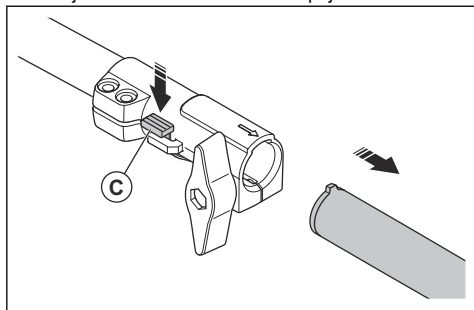
Razstavljanje dvodelne gredi

1. Gumbni vijak obrnite za 3 obrate ali več in tako sprostite spojko.



2. Pritisnite in pridržite gumb (C).
3. Trdno držite konec gredi, na katero je pritrjen motor.

4. Priključek izvlecite naravnost iz spojke.



Vzdrževanje

Uvod

V nadaljevanju je zapisanih nekaj splošnih navodil za vzdrževanje. Če potrebujete več informacij, se obrnite na svojo servisno delavnico.

Urnik vzdrževanja

Spodaj je seznam korakov za vzdrževanje, ki jih je treba opraviti na rezalnem priključku.

Opomba: Upravljaavec mora na rezalnem priključku izvesti samo vzdrževalna in servisna dela, ki so navedena v teh navodilih za uporabo. Vsa ostala vzdrževalna in servisna dela lahko izvaja samo pooblaščen servisna delavnica.

Vzdrževanje	Dnevno	Teden- sko	Mesečno
Očistite zunanje dele izdelka.	X		
Prepričajte se, da rezila niso poškodovana. Če sta rezili poškodovani, ju zamenjajte.	X		
Prepričajte se, da ščitnik rezalnega priključka ni poškodovan. Če je ščitnik rezalnega priključka poškodovan, ga zamenjajte.	X		
Prepričajte se, da podporna skleda ni poškodovana. Če je oporna skleda poškodovana, jo zamenjajte.	X		
Prepričajte se, da so vijaki in matice dobro priviti.	X		
V ohišje menjalnika dodajte mast približno vsakih 100 delovnih ur.		X	

Čiščenje in mazanje rezila

1. Odstranite čepe za mast.

1. Odstranite neželene materiale z rezila pred in po uporabi izdelka.
2. Pred daljšim skladiščenjem rezila namažite.

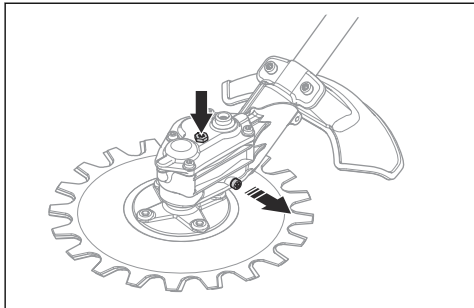
Opomba: Če potrebujete več informacij o priporočenih čistil in mazivih, se obrnite na servisnega zastopnika.

Mazanje ohišje menjalnika



POZOR: Ohišja menjalnika ne napolnite do konca. Če je ohišje menjalnika polno, lahko mast poškoduje tesnila in povzroči puščanje.

2. Dodajte mast v zgornjo luknjo.



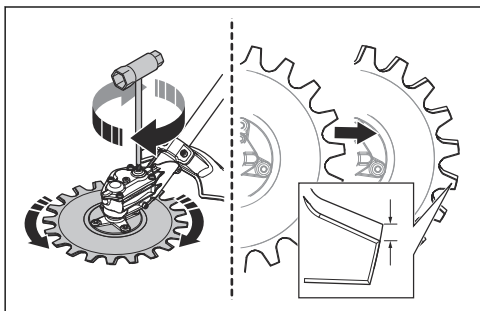
3. Namestite čepe za mast.

Brušenje rezil

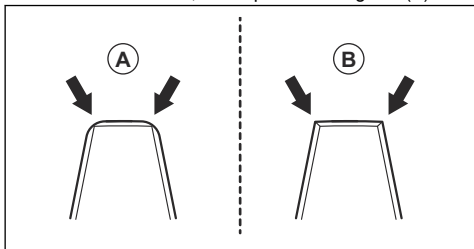


OPOZORILO: Pri delu z rezili uporabite zaščitne rokavice.

1. Vstavite kombiniran ključ v inbusno luknjo v ohišju menjalnika.
2. Obračajte kombiniran ključ, dokler ni med zgornjim rezilom in spodnjim rezilom 3 mm/0,12 palca razmika.

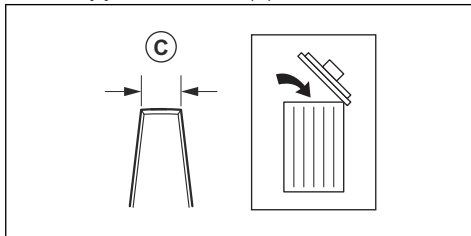


3. Nabusite robove (B), ki jih lahko dosežete z brusilnikom. Pazite, da ne pobrusite vogalov (A).



4. Obračajte kombiniran ključ v nasprotni smeri, da dobite dostop do nasprotnih robov.
5. Nabusite robove, ki jih lahko dosežete z brusilnikom.

6. Ko je širina zobcev manjša od 8 mm/0,32 palca, zamenjajte rezili z novimi (C).



Zamenjava rezil



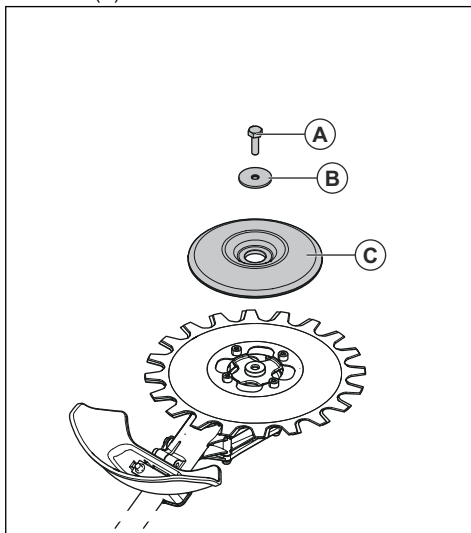
OPOZORILO: Pri delu z rezili uporabite zaščitne rokavice.



OPOZORILO: Da preprečite neravnovesje in tresljaje v izdelku, očistite rezalni priključek, ko zamenjate rezili.

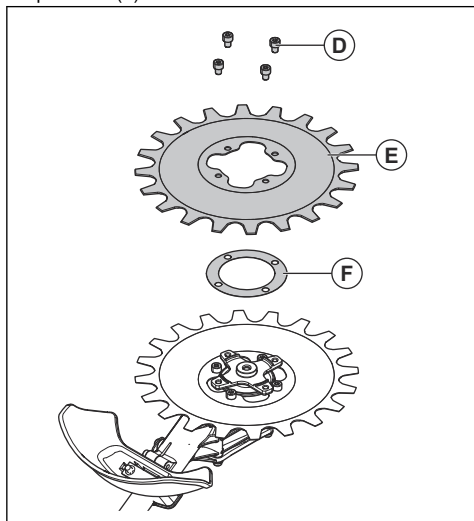
Opomba: Rezili sta popolnoma enaki in izmenljivi.

1. Odstranite srednji vijak (A), podložko (B) in podporno skledo (C).

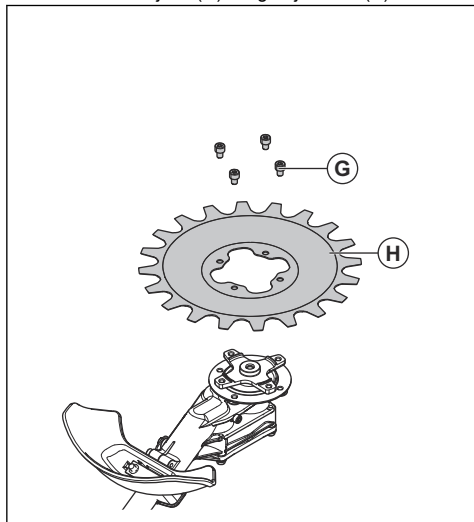


Opomba: Srednji vijak ima levi navoj.

2. Odstranite 4 vijake (D), spodnje rezilo (E) in podložko (F).



3. Odstranite 4 vijake (G) in zgornje rezilo (H).



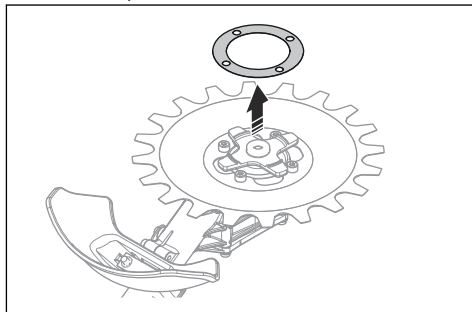
4. Namestite rezili po obratnem vrstnem redu. Ko namestite rezili, enakomerno zatisnite vijake.

Prilagoditev razmika med rezili



OPOZORILO: Pri delu z rezili uporabite zaščitne rokavice.

1. Odstranite spodnje rezilo; glejte *Zamenjava rezil na strani 276*.
2. Odstranite podložko.



Opomba: Shranite podložko, dokler ni čas, da znova namestite rezili.

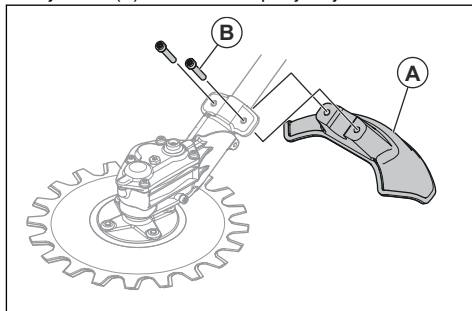
3. Namestite spodnje rezilo. Ko namestite rezili, enakomerno zatisnite vijake.

Zamenjava ščitnika rezalnega priključka



OPOZORILO: Pri delu z rezili uporabite zaščitne rokavice.

- Odstranite 2 vijaka (B) in ščitnik rezalnega priključka (A).
- Namestite nov ščitnik rezalnega priključka (A) z 2 vijakoma (B). Enakomerno privijte vijaka.



Transport skladiščenje in odstranitev

Prevoz in skladiščenje

- Prepričajte se, da je transportna zaščita pravilno pritrjena na rezalni priključek, ko izdelek ni v uporabi, med prevozom ali v skladišču.
- Rezalni priključek skladiščite v zaklenjenem prostoru, tako da otroci ali osebe, ki niso primerne za rokovanje z izdelkom, nimajo dostopa do njega.

- Med prevozom varno pritrдите rezalni priključek, da preprečite nesreče ali poškodbe.
- Prepričajte se, da je rezalni priključek čist in da je pred dolgotrajnim skladiščenjem opravljen popoln servis.

Tehnični podatki

Tehnični podatki

RA850	
Teža	
Teža, kg	2,5
Emisije hrupa⁶⁴	
Izmerjen nivo zvočne moči dB (A)	102
Raven zvočne moči, zajamčena L_{WA} v dB (A)	105
Nivoji hrupa⁶⁵	
Ekvivalentna raven zvočnega tlaka pri uporabnikovem ušesu, izmerjena v skladu s standardoma EN ISO 11806-1 in EN ISO 22868, dB (A)	
Opremljeno z odobreno dodatno opremo (originalno)	90
Ravni vibracij⁶⁶	
Ekvivalentne ravni vibracij ($a_{hv,eq}$) pri ročajih, izmerjene v skladu z EN ISO 11806-1 in ISO 22867, m/s^2	
Opremljeno z odobreno dodatno opremo (originalno), levo/desno	3,9/4,8
Rezila	
Premer, mm	230
Hitrost rezila, rezov/min	4600

⁶⁴ Emisije hrupa v okolju, merjene kot moč zvoka (L_{WA}), v skladu z direktivo ES 2000/14/ES. Navedena raven zvočne moči naprave je bila izmerjena z originalnim rezalnim priključkom, ki dosega najvišjo raven. Razlika med zajamčeno in izmerjeno ravno zvočno moči je v tem, da zajamčena raven zvočne moči, v skladu z direktivo 2000/14/ES, vključuje tudi razpršitev izmerjenih vrednosti in razlike med različnimi napravami istega modela.

⁶⁵ Podatki za ekvivalentno stopnjo zvočnega tlaka za napravo imajo tipično statistično razpršitev (standardni odklon) v vrednosti 1 dB (A).

⁶⁶ Zabeleženi podatki za ekvivalentno raven vibracij imajo tipično statistično razpršitev (standardni odklon) 1 m/s^2 .

Izjava ES o skladnosti

Izjava ES o skladnosti

Husqvarna AB, SE-561 82 Huskvarna, Švedska, tel: +46-36-146500, izjavlja, da so izdelki reciprocator attachment **Husqvarna RA850** s serijskimi številkami od leta 2019 dalje (leto izdelave, ki mu sledi serijska številka, je jasno navedeno na tipski plošči), skladni z zahtevami DIREKTIVE SVETA:

- **2006/42/ES** z dne 17. maja 2006, »ki se nanaša na stroje«.
- z dne 8. junija 2011 o omejevanju uporabe nekaterih nevarnih snovi v električni in elektronski opremi **2011/65/EU**.
- **2000/14/ES** z dne 8. maja 2000 "o emisijah hrupa v okolje". Ocena skladnosti z Dodatkom V. Za informacije o emisijah hrupa glejte poglavje Tehnični podatki.

Uporabljeni so naslednji standardi:

EN ISO 11806-1:2011, EN 50581:2012

RISE SMP Svensk Maskinprovning AB, Box 7035, SE-750 07 Uppsala, Sweden je opravil prostovoljni tipski preizkus za družbo Husqvarna AB. Številke certifikatov: **SEC/19/2528**

Huskvarna, 2019-03-11



Per Gustafsson, vodja razvoja (pooblaščen zastopnik družbe Husqvarna AB in odgovorna oseba za tehnično dokumentacijo)

Innehåll

Introduktion.....	280	Underhåll.....	287
Säkerhet.....	282	Transport, förvaring och kassering.....	289
Drift.....	285	Tekniska data.....	290
Montering.....	286	EG-försäkran om överensstämmelse.....	291

Introduktion

Avsedd användning



VARNING: Skärutrustningen får endast användas tillsammans med kompatibla produkter. Se produktens bruksanvisning.

Skärutrustningen används för att klippa gräs och kvistar.

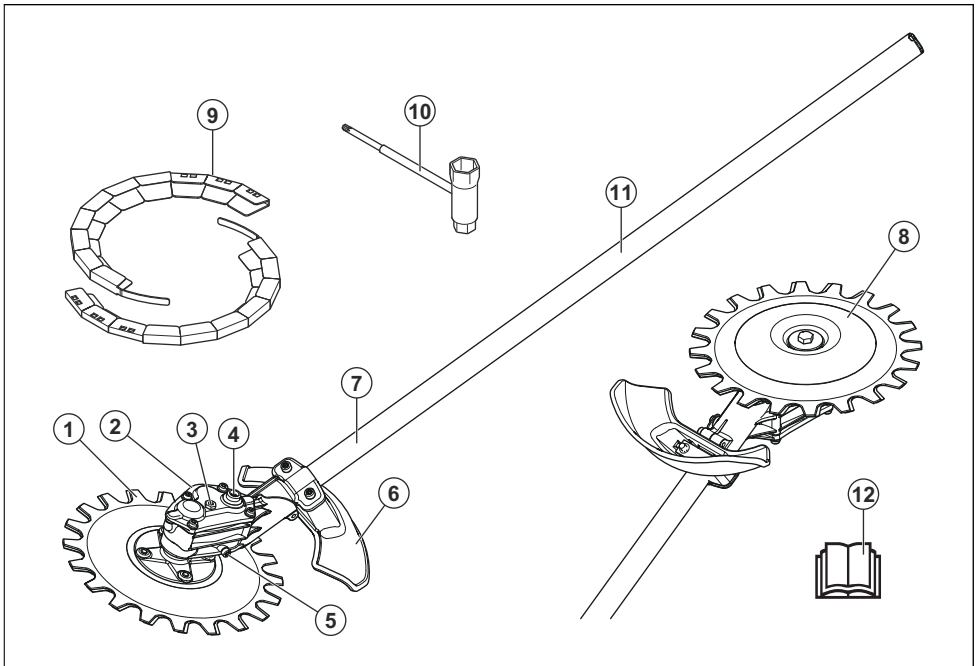
Notera: Nationella regler kan begränsa användningen av produkten.

Produktbeskrivning

Vi arbetar ständigt med att vidareutveckla våra produkter och förbehåller oss därför rätten till ändringar beträffande bl.a. produkternas form och utseende utan föregående meddelande.

Notera: Den här bruksanvisningen omfattar både bensin- och batteridrivna kraftaggregat.

Översikt över skärutrustningen



1. Klinga
2. Växelhus
3. Övre smörjplugg
4. Uttag för att flytta klingorna manuellt
5. Nedre smörjplugg
6. Trimmerhuvudets skydd
7. Riggör
8. Stödkopp

9. Transportskydd
10. Kombinyckel
11. Informations- och varningsdekal
12. Bruksanvisning

Symboler på utrustningen och på kraftaggregatet



Vårdslös eller felaktig användning av tillbehöret kan resultera i allvarliga eller livshotande skador på användaren eller andra.



Läs igenom bruksanvisningen noggrant och se till att du förstår instruktionerna innan du använder tillbehöret.



Använd skyddshjälm på platser där föremål kan falla ner. Använd godkända hörselskydd. Använd godkänt ögonskydd.



Använd alltid godkända skyddshandskar.



Använd halkfria och stadiga stövlar.



Maximalt antal klipp per minut.



Pilarna visar gränserna för handtagets position.



Produkten kan göra att föremål slungas ut, vilket kan orsaka skador.



Håll ett avstånd på minst 15 m till personer och djur när du använder produkten.



Användaren ska se till att inga människor eller djur kommer närmare än 15 meter. Då flera förare arbetar med samma arbetsställe ska säkerhetsavståndet vara minst 15 meter. Utrustningen kan våldsamt kasta iväg föremål som kan studsas tillbaka. Om inte rekommenderad säkerhetsutrustning används kan det leda till allvarliga ögonskador.



Bulleremissioner till omgivningen enligt Europeiska Gemenskapens direktiv. Utrustningens emission anges i avsnittet *Tekniska data på sida 290* och på etiketten.



Utrustningen överensstämmer med gällande EG-direktiv.



Produkten överensstämmer med gällande EAC-direktiv.



Produkten följer gällande ukrainska direktiv



Produkten överensstämmer med gällande direktiv i Australien och Nya Zeeland avseende elektromagnetisk kompatibilitet.

yyyywwxxxx

Serieetiketten visar serienumret. **yyyy** är produktionsåret och **ww** är produktionsveckan.

Notera: Övriga symboler/dekal på tillbehöret avser specifika krav för certifieringar på vissa marknader.

EU V



VARNING: Manipulering av motorn upphäver EG-typgodkännandet för den här produkten.

VIKTIGA SÄKERHETSINSTR UKTIONER

Säkerhetsdefinitioner

Varningar, försiktighetsåtgärder och anmärkningar används för att betona speciellt viktiga delar i bruksanvisningen.



WARNING: Används om det finns risk för skador eller dödsfall för föraren eller kringstående om anvisningarna i bruksanvisningen inte följs.



OBSERVERA: Används om det finns risk för skada på produkten och/eller tillbehör, annat material eller det angränsande området om anvisningarna i bruksanvisningen inte följs.

Notera: Används för att ge mer information som är nödvändig i en viss situation.

Läs alla instruktioner



WARNING: När eldrivna trädgårdsmaskiner används ska säkerhetsreglerna alltid följas för att minska risken för eld, elektriska stötar och personskada. Detta innefattar följande:

Allmänna säkerhetsinstruktioner



WARNING: Läs varningsinstruktionerna nedan innan du använder tillbehöret.

- Läs igenom bruksanvisningen noggrant och se till att du förstår instruktionerna innan du använder tillbehöret.
- De här instruktionerna kompletterar de instruktioner som medföljde produkten. Övriga instruktioner finns i driftinstruktionerna för produkten.
- Tillbehörets ursprungliga utformning får inte under några omständigheter ändras utan tillstånd från tillverkaren. Använd inte ett tillbehör som verkar ha blivit ändrat av någon annan och använd alltid originaltillbehör. Icke auktoriserade ändringar och/eller tillbehör kan medföra allvarliga personskador eller dödsfall för föraren eller andra.
- Överexponering av vibrationer kan leda till blodkärls- eller nervskador hos personer som har blodcirkulationsstörningar. Uppsök läkare om ni

upplever kroppsliga symptom som kan relateras till överexponering av vibrationer. Exempel på sådana symptom är domningar, avsaknad av känsel, "kittlingar", "stickningar", smärta, avsaknad eller reduktion av normal styrka, förändringar i hudens färg eller dess tillstånd. Dessa symptom uppträder vanligtvis i fingrar, händer eller handleder. Dessa symptom kan öka vid låga temperaturer.

Säkerhetsinstruktioner för drift



WARNING: Läs varningsinstruktionerna nedan innan du använder produkten.

- Använd endast produkten för de arbetsuppgifter som anges i denna bruksanvisning. Se *Avsedd användning på sida 280*.
- Använd inte produkten om du inte är säker på att du kan använda den.
- Använd aldrig produkten om du är trött, sjuk eller om du är påverkad av alkohol, droger eller läkemedel. Detta kan försämra din syn, ditt omdöme och din kroppskontroll.
- Använd inte produkten om du inte kan få hjälp om en olycka inträffar.
- Använd inte produkten om det finns tecken på skador.
- Kontrollera att skärutrustningen alltid stannar när motorn går på tomgångsvarvtal.
- Se till att ingen kommer närmare än 15 m/50 fot när du klipper. Se till att endast godkända personer befinner sig inom arbetsområdet.
- Låt inte barn använda eller komma nära produkten.
- Håll arbetsområdet rent och upplyst. Använd inte produkten i dåligt väder, till exempel i dimma, kraftigt regn, hård vind, extrem kyla eller vid risk för åskväder.
- Om något fastnar i klingorna vid användning stänger du av motorn och väntar tills klingorna inte rör sig. Avlägsna tändhatten från tändstiftet eller ta bort batteriet. Placera kombinyckeln i växelhusets uttag för att flytta klingorna, se *Slipa klingorna på sida 288*.
- Om klingorna skadas under användning kan den övre och den nedre klingan fastna i varandra. Rör inte klingorna. De kan plötsligt börja röra sig och orsaka personskador.
- Se till att du står säkert och stadigt under användning.
- Produkten kan få föremål att skjutas ut med hög hastighet. Se till att alla personer i arbetsområdet använder godkänd personlig skyddsutrustning. Ta bort lösa föremål från arbetsområdet.
- Övervaka arbetsområdet när du bär hörselskydd. Ta alltid av hörselskydden när motorn stängs av.

- Om produkten har ovanliga vibrationer ska du stanna motorn. Om du har en bensindriven produkt tar du bort tändhatten från tändstiftet. Om du har en batteridriven produkt tar du bort batteriet. Undersök omedelbart orsaken. Vibration är vanligtvis ett tecken på skada.
- Lämna inte produkten när motorn är på.
- Håll produkten med båda händerna. Håll produkten på höger sida av kroppen. Använda produkten med skärutrustningen under midjehöjd.



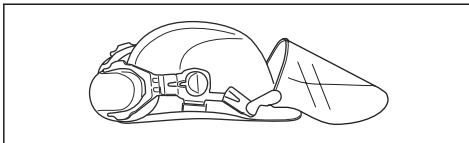
- Skärutrustningen måste skära i riktning bort från operatören. Att skära i riktning mot operatören kan orsaka allvarliga skador.
- Se till att händer och fötter inte kommer nära klingorna när motorn är i gång.

Personlig skyddsutrustning



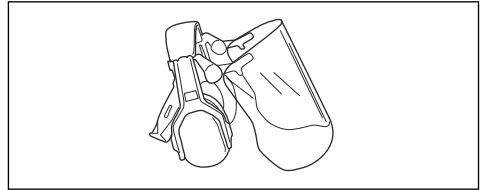
VARNING: Läs varningsinstruktionerna nedan innan du använder produkten.

- Använd alltid godkänd personlig skyddsutrustning när du använder produkten. Personlig skyddsutrustning kan inte eliminera skaderisken helt, men den reducerar effekten av en skada vid ett eventuellt olyckstillbud. Be din återförsäljare om hjälp med att välja rätt utrustning.
- Använd skyddshjälm där det finns risk för fallande föremål.

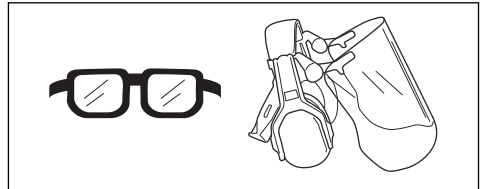


- Långvarig exponering för buller kan ge hörselskador. Batteridrivna produkter är i allmänhet relativt tysta men skador kan uppstå genom en kombination av ljudnivå och långvarig användning. Husqvarna rekommenderar att användaren har hörselskydd vid användning av produkten under en längre sammanhängande period av dagen. Personer som använder produkten kontinuerligt och regelbundet bör kontrollera hörseln regelbundet. Observera att

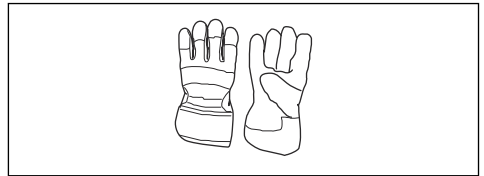
hörselskydd begränsar förmågan att höra ljud och varningssignaler.



- Använd godkänt ögonskydd. Används visir måste även godkända skyddsglasögon användas. Godkända skyddsglasögon måste uppfylla standarden ANSI Z87.1 i USA eller SS-EN 166 i EU-länder.



- Använd handskar vid behov, till exempel när du undersöker eller rengör skärutrustningen.

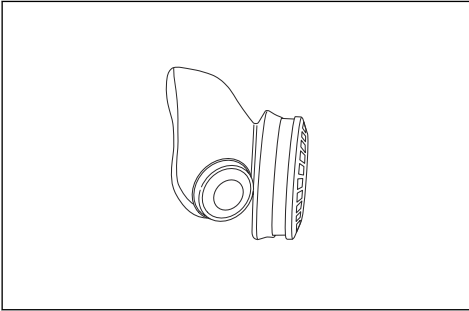


- Använd skyddsstövlar, eller skor, med halkfri sula.



- Ha på dig kläder i slitstarkt material. Bär alltid kraftiga långbyxor och överdel med långa ärmor. Använd inte löst sittande kläder som kan fastna i kvistar och grenar. Bär inte smycken, kortbyxor, öppna skor och gå inte barfota. Sätt upp håret ordentligt ovanför axlarna.

- Använd andningsskydd när det finns risk för damm.



- Ha första förband nära till hands.



Säkerhetsanordningar på tillbehöret



WARNING: Läs varningsinstruktionerna nedan innan du använder tillbehöret.

I det här avsnittet beskrivs säkerhetsutrustningen för tillbehöret, vilken funktion det har samt hur du utför kontroll och underhåll för att säkerställa att det fungerar. Se anvisningarna under rubriken *Översikt över skärutrustningen på sida 280* för information om var de här delarna är placerade på tillbehöret.

Tillbehörets livslängd kan förkortas och risken för olyckor kan öka om underhåll av tillbehöret inte utförs på rätt sätt och om service och reparationer inte utförs av specialutbildade tekniker. Kontakta din serviceverkstad om du behöver ytterligare information.



WARNING: Använd aldrig ett tillbehör med defekta säkerhetskomponenter. Tillbehörets säkerhetsutrustning ska kontrolleras och underhållas som beskrivs i detta avsnitt. Om tillbehöret inte klarar alla kontroller ska serviceverkstad uppsökas för reparation.



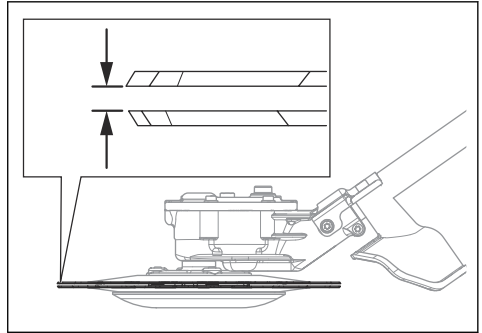
WARNING: All service och reparation av produkten kräver specialutbildning. Detta gäller särskilt produktens säkerhetsutrustning. Om produkten inte klarar någon av nedan listade kontroller ska du uppsöka en serviceverkstad. Ett köp av någon av våra produkter garanterar att du kan få en fackmannamässig reparation och service utförd. Om återförsäljaren som säljer produkten inte är en serviceverkstad kan du fråga dem om närmaste serviceverkstad.

Kontrollera skärutrustningen och skärutrustningsskyddet

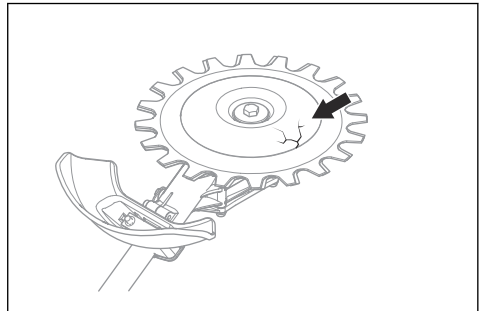


WARNING: Använd inte skärutrustningen utan ett godkänt monterat skärutrustningsskydd. Om fel eller defekt skydd för skärutrustningen monteras, kan detta orsaka skada.

1. Stoppa motorn och se till att skärutrustningen stannar.
2. Om du har en bensindriven produkt tar du bort tändhatten från tändstiftet. Om du har en batteridriven produkt tar du bort batteriet från produkten.
3. Ta på skyddshandskar.
4. Se till att klingorna inte är skadade. Byt klingorna om de är skadade. Se *Byta klingor på sida 288*.
5. Undersök klingorna. Se till att det inte finns något spel mellan klingorna. Om det finns spel mellan klingorna måste de justeras. Se *Justera spelet mellan klingorna på sida 289*.

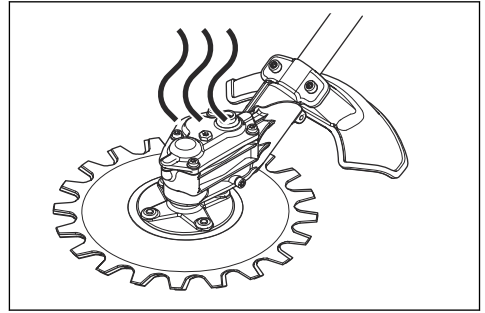
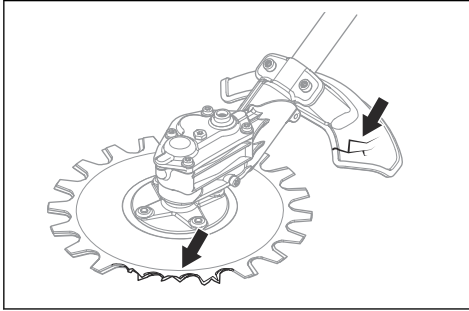


6. Se till att stödkoppen inte är skadad. Byt ut stödkoppen om den är skadad.



7. Se till att skruvarna på skärutrustningen är åtdragna.

8. Se till att klingorna och skärutrustningens skydd inte är skadade. Byt ut skadade delar.



Säkerhetsinstruktioner för underhåll



WARNING: Skärutrustningen kan fortsätta rotera efter att gasreglaget/gastrycket har släppts. Om du har en bensindriven produkt tar du bort tändhatten från tändstiftet. Om du har en batteridriven produkt tar du bort batteriet från produkten. Kontrollera att skärutrustningen har stannat helt innan du utför underhåll.



WARNING: Växelhuset blir varmt när produkten används. Heta ytor kan bränna dig, så vidrör inte växelhuset.

- Använd alltid kraftiga handskar när du reparerar skärutrustningen. Skärutrustningen är mycket vass och skärskador kan lätt inträffa.
- Använd endast originalreservdelar vid reparation.

SPARA BRUKSANVISNING EN

Drift

Arbetsteknik



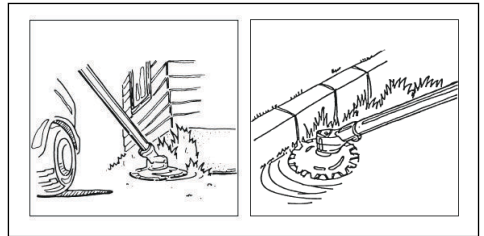
WARNING: Grenar eller gräs kan fastna mellan skärutrustningen och dess skydd. Stanna alltid motorn innan du rengör skärutrustningen.

- Använd fullgas/fullt varvtal när du skär och sänk till tomgångsvarvtal efter varje snitt.

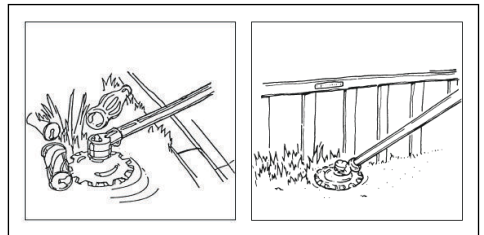


OBSERVERA: Motorskada kan uppstå om motorn går för länge med fullgas utan belastning.

- parkområden och trottoarkanter



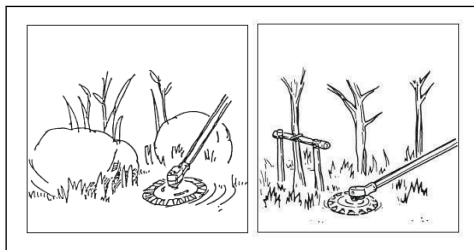
- vägrenar och nära staket



Rekommenderad användning av skärutrustningen

Skärutrustningens klingor rör sig med en liten vinkel och kan skära i alla riktningar. Flytta skärutrustningen längs marken på en höjd där stödkoppen vidrör marken. Använd skärutrustningen för att klippa:

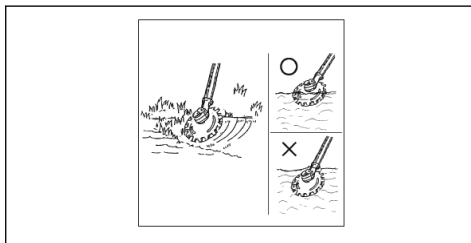
- runt stenar och träd



- nära vatten.



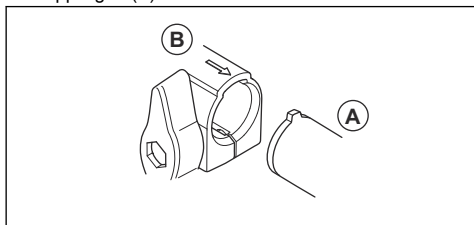
OBSERVERA: Låt inte växelhuset hamna i vatten.



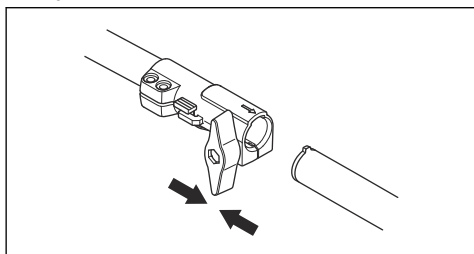
Montering

Så monterar du det tvådelade riggröret

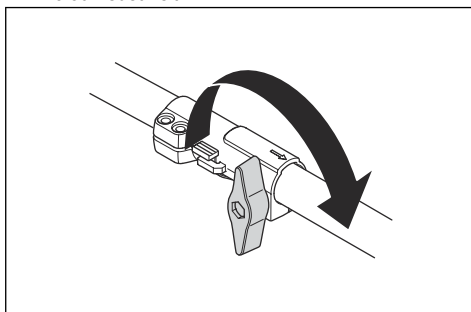
1. Vrid vredet för att lossa kopplingen.
2. Rikta in styrtappen på tillbehöret (A) mot pilen på kopplingen (B).



3. Tryck försiktigt in riggröret i kopplingen tills du hör ett klick.

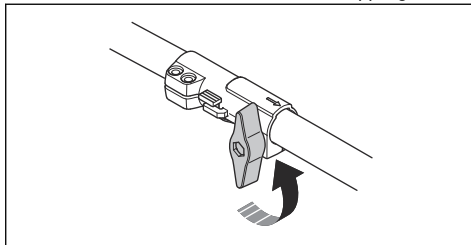


4. Dra åt vredet helt.



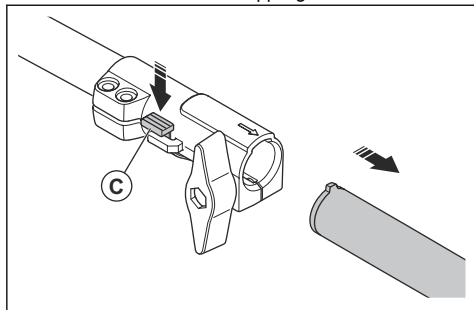
Så demonterar du det tvådelade riggröret

1. Vrid vredet minst 3 varv för att lossa kopplingen.



2. Tryck på och håll inne knappen (C).
3. Håll hårt i änden av riggröret som motorn är ansluten till.

4. Dra tillbehöret rakt ut ur kopplingen.



Underhåll

Introduktion

Nedan följer några allmänna underhållsinstruktioner. Kontakta en serviceverkstad om du behöver ytterligare information.

Underhållsschema

Nedan följer en lista över den skötsel som ska utföras på skärutrustningen.

Notera: Användaren får endast utföra de underhålls- och servicearbeten på skärutrustningen som beskrivs i denna bruksanvisning. Andra underhålls- och servicearbeten får endast utföras av en auktoriserad serviceverkstad.

Underhåll	Dagligen	Varje vecka	Varje månad
Rengör produktens yttre delar.	X		
Se till att klingorna inte är skadade. Byt klingorna om de är skadade.	X		
Se till att skärutrustningens skydd inte är skadat. Byt ut skärutrustningen om den är skadad.	X		
Se till att stödkoppen inte är skadad. Byt ut stödkoppen om den är skadad.	X		
Se till att skruvar och muttrar är åtdragna.	X		
Fyll på fett i växelhuset efter ungefär 100 arbetstimmar.		X	

Rengöra och smörja knivarna

1. Ta bort oönskat material från knivarna innan och efter du använder produkten.
2. Smörj knivarna före längre tids förvaring.

Notera: Prata med en serviceverkstad för mer information om rekommenderade rengöringsmedel och smörjmedel.

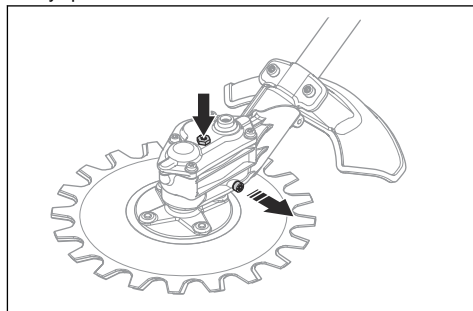
Att rengöra växelhuset



OBSERVERA: Fyll inte växelhuset helt. Om växelhuset är fullt kan fettet skada tätningarna och orsaka läckage.

1. Ta bort fettpluggarna.

2. Fyll på fett i det övre hålet.



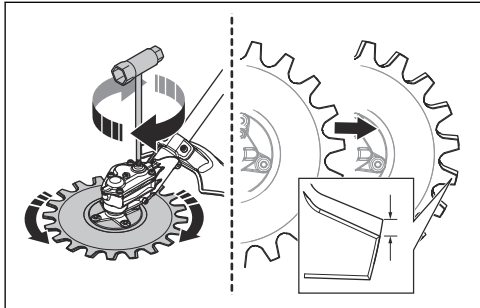
3. Montera fettpluggarna.

Slipa klingorna

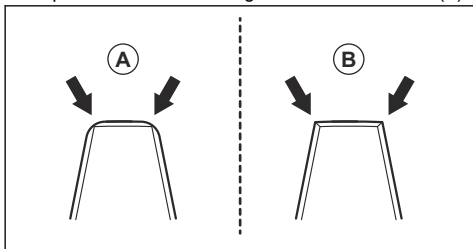


VARNING: Använd skyddshandskar när du håller i klingorna.

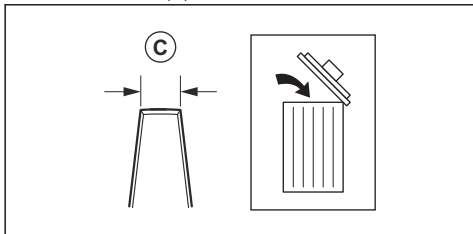
1. Placera kombinyckeln i uttaget på växelhuset.
2. Vrid kombinyckeln tills det finns ett spel på 3 mm/0,12 tum mellan den övre och den nedre klingan.



3. Slipa de kanter (B) du kommer åt med en slipmaskin. Se till att inte göra kanterna rundade (A).



4. Vrid kombinyckeln i motsatt riktning för att komma åt de motsatta kanterna.
5. Slipa de kanter du kommer åt med en slipmaskin.
6. Byt ut klingorna när bredden på tanden är mindre än 8 mm/0,32 tum (C).



Byta klingor



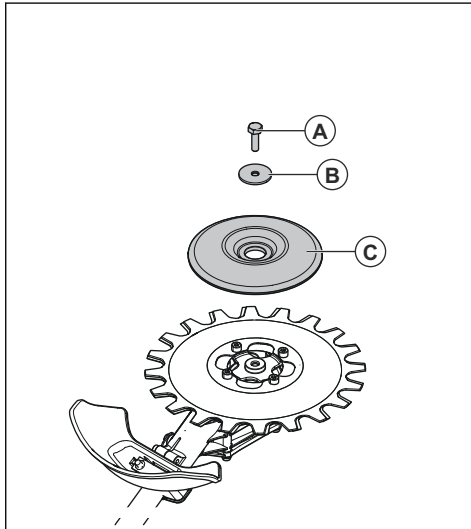
VARNING: Använd skyddshandskar när du håller i klingorna.



VARNING: För att förhindra obalans och vibrationer i produkten ska du rengöra skärutrustningen när du byter klingor.

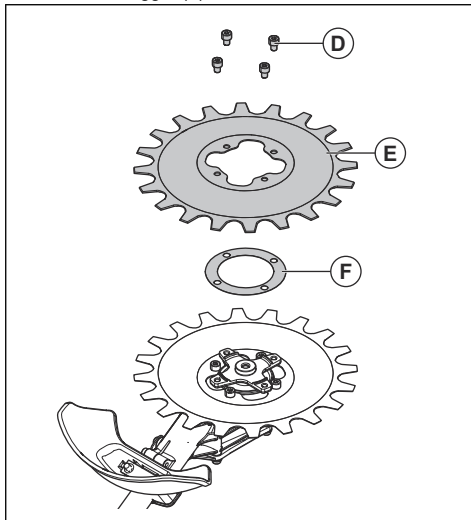
Notera: Klingorna är utbytbara.

1. Ta bort skruven i mitten (A), brickan (B) och stödkoppen (C).

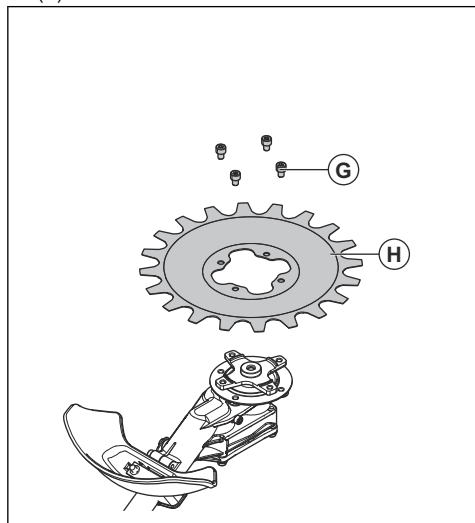


Notera: Mittenskraven är vänstergängad.

2. Ta bort de fyra skruvarna (D), den nedre klingan (E) och mellanlägget (F).



3. Ta bort de fyra skruvarna (G) och den övre klingan (H).



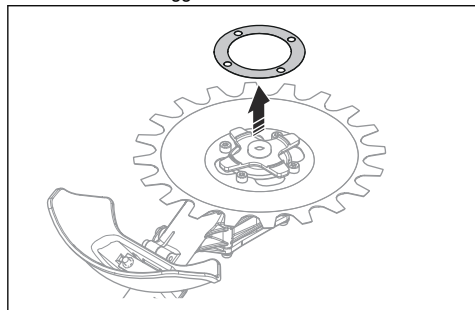
4. Montera klingorna i omvänd ordningsföljd. Dra åt skruvarna jämnt när du monterar klingorna.

Justera spelet mellan klingorna



VARNING: Använd skyddshandskar när du håller i klingorna.

1. Ta bort den nedre klingan, se *Byta klingor på sida 288*.
2. Ta bort mellanlägget.



Notera: Spara mellanlägget tills det är dags att sätta tillbaka klingorna.

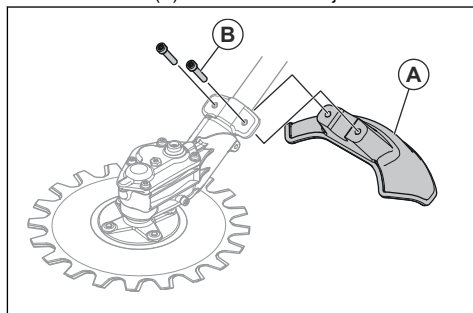
3. Montera den nedre klingan. Dra åt skruvarna jämnt när du monterar klingorna.

Byta skärutrustningsskyddet



VARNING: Använd skyddshandskar när du håller i klingorna.

- Ta bort de två skruvarna (B) och skärutrustningsskyddet (A).
- Montera det nya skärutrustningsskyddet (A) med de två skruvarna (B). Dra åt skruvarna jämnt.



Transport, förvaring och kassering

Transport och förvaring

- Se till att transportskyddet är korrekt monterat på skärutrustningen när produkten inte används, när den transporteras eller när den förvaras.

- Förvara skärutrustningen i ett låst utrymme för att förhindra åtkomst för barn eller obehöriga personer.
- Fixera skärutrustningen vid transport för att förhindra skador och olyckor.
- Se till att skärutrustningen är ren och att fullständig service är utförd före en längre tids förvaring.

Tekniska data

Tekniska data

RA850	
Vikt	
Vikt, kg	2,5
Bulleremissioner⁶⁷	
Ljudeffektnivå, uppmätt dB (A)	102
Ljudeffektnivå, garanterad L _{WA} , dB (A)	105
Bullernivåer⁶⁸	
Ekvivalent ljudtrycksnivå vid användarens öra, uppmätt enligt SS-EN ISO 11806-1 och SS-EN ISO 22868, dB(A)	
Utrustad med godkänt tillbehör (original)	90
Vibrationsnivåer⁶⁹	
Ekvivalenta vibrationsnivåer (a _{h_v,eq}) i handtag, uppmätt enligt SS-EN ISO 11806-1 och ISO 22867, m/s ²	
Utrustad med godkänt tillbehör (original), vänster/höger	3,9/4,8
Klingor	
Diameter, mm	230
Klinghastighet, klipp/min	4 600

⁶⁷ Emission av buller till omgivningen uppmätt som ljudeffekt (L_{WA}) enligt EG-direktiv 2000/14/EG. Rapporterad ljudeffektnivå för maskinen har uppmätts med den originalskärutrustning som ger den högsta nivån. Skillnaden mellan garanterad och uppmätt ljudeffekt är att den garanterade ljudeffekten också inkluderar spridning i mätresultatet och variationen mellan olika maskiner av samma modell enligt direktiv 2000/14/EG.

⁶⁸ Rapporterade data för ekvivalent ljudtrycksnivå för maskinen har en typisk statistisk spridning (standardavvikelse) på 1 dB(A).

⁶⁹ Rapporterade data för ekvivalent vibrationsnivå har en typisk statistisk spridning (standardavvikelse) på 1 m/s².

EG-försäkran om överensstämmelse

EG-försäkran om överensstämmelse

Husqvarna AB, 561 82 Huskvarna, Sverige, tel: +46-36-146500, försäkrar härmed att reciprocator attachment **Husqvarna RA850** med serienummer från 2019 och framåt (året anges tydligt på typskylten, följt av serienumret) motsvarar föreskrifterna i RÅDETS DIREKTIV:

- av den 17 maj 2006 "angående maskiner" **2006/42/EG**
- av den 8 juni 2011 angående "begränsning av användning av vissa farliga ämnen i elektrisk och elektronisk utrustning" **2011/65/EU**
- av den 8 maj 2000 "angående emission av buller i miljön" **2000/14/EG** Bedömning av överensstämmelse enligt bilaga V. För information angående bulleremissionerna, se kapitlet Tekniska data.

Följande standarder har tillämpats:

EN ISO 11806-1:2011, EN 50581:2012

RISE SMP Svensk Maskinprovning AB, Box 7035, SE-750 07 Uppsala, Sweden har utfört frivillig typkontroll åt Husqvarna AB. Certifikaten har nummer: **SEC/19/2528**

Huskvarna, 2019-03-11



Per Gustafsson, utvecklingschef (bemyndigad representant för Husqvarna AB samt ansvarig för tekniskt underlag)

İçindekiler

Giriş.....	292	Bakım.....	299
Güvenlik.....	294	Taşıma, depolama ve atma.....	301
Kullanım.....	297	Teknik veriler.....	302
Montaj.....	298	AT Uyumluluk Bildirimi.....	303

Giriş

Kullanım amacı



UYARI: Kesme ataşmanı yalnızca uyumlu ürünlerle birlikte kullanılmalıdır. Ürünün kullanım kılavuzuna bakın.

Kesme ataşmanı çim ve çalıları kesmek için kullanılır.

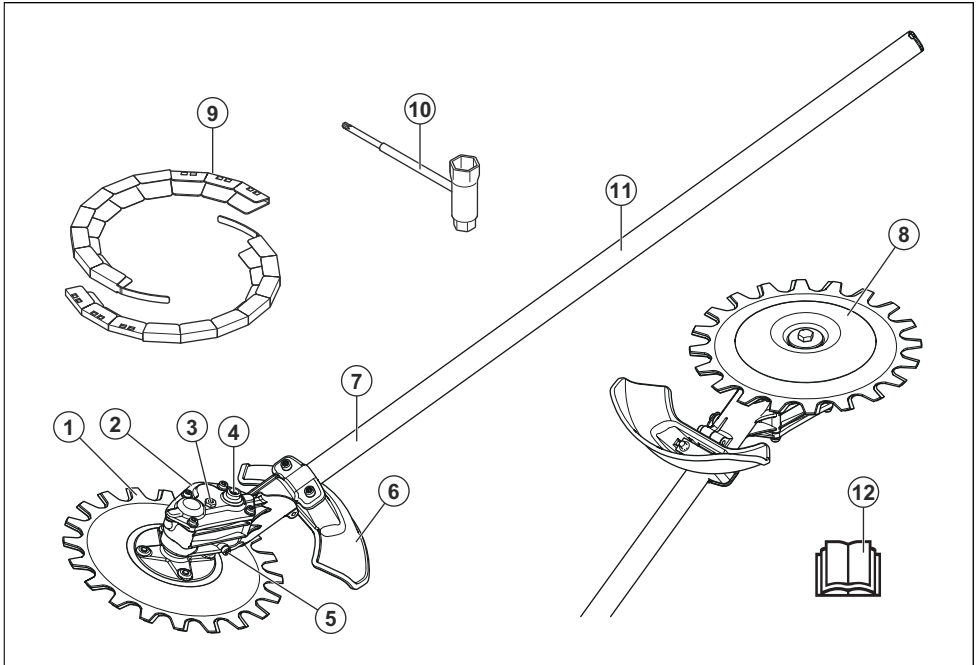
Not: Ulusal düzenlemeler ürünün kullanımını kısıtlayabilir.

Ürün açıklaması

Sahip olduğumuz sürekli ürün geliştirme politikamız nedeniyle önceden bildirimde bulunmaksızın ürünlerin tasarımı ve görünümü ile ilgili değişiklikler yapma hakkını saklı tutarız.

Not: Bu kılavuzda, hem benzinle hem de aküyle çalışan güç üniteleri ele alınmaktadır.

Kesme ataşmanına genel bakış



1. Bıçak
2. Dişli yuvası
3. Üst gres tapası
4. Bıçakları manuel olarak hareket ettirme yuvası
5. Alt gres tapası
6. Kesme ataşmanı siperliği
7. Mil
8. Destek manşeti

9. Nakliye koruyucusu
10. Kombine anahtar
11. Bilgi ve uyarı etiketi
12. Kullanım kılavuzu

Ataşman ve güç ünitesindeki semboller



Bu ataşmanın dikkatsiz veya hatalı kullanımı operatörde ya da başka kişilerde ciddi veya ölümcül yaralanmalara neden olabilir.



Kullanım kılavuzunu dikkatle okuyun ve ataşmanı kullanmadan önce talimatları anladığınızdan emin olun.



Üzerinize nesne düşebilecek yerlerde koruyucu baret kullanın. Onaylanmış kulak koruma ekipmanı kullanın. Onaylı koruyucu gözlük kullanın.



Her zaman onaylı koruyucu eldivenler giyin.



Sağlam, kaymaz botlar giyin.



Dakikada maksimum kesim sayısı.



Oklar, tutacağın konumunun sınırlarını gösterir.



Ürün, nesne fırlatarak yaralanmaya neden olabilir.



Ürünü kullanırken başka kişilerle ve hayvanlarla aranızda en az 15 m/50 ft mesafe bırakın.



Operatör, insan veya hayvanların 15 metreden daha yakında bulunmamasını sağlamalıdır. Aynı alanda birden fazla operatör çalışıyorsa en az 15 metrelik güvenlik mesafesi bırakılmalıdır. Ataşman, geriye sıçrayabilecek nesnelere güçlü bir şekilde fırlatabilir. Bu, önerilen güvenlik donanımı kullanılmazsa ciddi göz yaralanmalarına neden olabilir.



Avrupa Topluluğu Direktifi uyarınca çevreye yayılan gürültü emisyonu. Ataşmanın emisyonu *Teknik veriler sayfa: 302* bölümünde ve etiket üzerinde belirtilmektedir.



Bu ataşman geçerli AT direktiflerine uygundur.



Ürün, geçerli EAC direktiflerine uygundur.



Ürün, geçerli Ukrayna direktiflerine uygundur.



Ürün, geçerli Avustralya ve Yeni Zelanda elektromanyetik uyumluluk direktiflerine uygundur.

yyyyhxxxx

Seri etiketi seri numarasını gösterir. yyyy üretim yılı, hh ise üretim haftasıdır.

Not: Ataşmanın üzerindeki diğer semboller/etiketler, belirli pazarların sertifikalandırma gereklilikleri ile ilgilidir.

EU V



UYARI: Motorun kurcalanması bu ürünün AB tip onayını geçersiz kılar.

GÜVENLİK TALİMATLARINA BAKIN

Güvenlik tanımları

Kullanım kılavuzundaki önemli kısımları vurgulamak için uyarılar ve notlar kullanılmıştır.



UYARI: Kılavuzdaki talimatlara uyulmadığı takdirde operatör veya çevredeki kişiler için ciddi yaralanma veya ölüm tehlikesi varsa kullanılır.



DİKKAT: Kılavuzdaki talimatlara uyulmadığı takdirde ürünün ve/veya ataşmanın, diğer malzemelerin ya da çevrenin zarar görme riski olduğunda kullanılır.

Not: Belirli bir durumda bilgi verilmesi gerektiğinde kullanılır.

Tüm talimatları okuyun



UYARI: Yangın, elektrik şoku ve/veya kişisel yaralanma riskini azaltmak için elektrikli bahçe cihazlarını kullanırken aşağıdakiler dahil olmak üzere temel güvenlik önlemlerine daima uyulmalıdır:

Genel güvenlik talimatları



UYARI: Ataşmanı kullanmadan önce aşağıdaki güvenlik talimatlarını okuyun.

- Lütfen kullanım kılavuzunu dikkatle okuyun ve ataşmanı kullanmadan önce talimatları anladığınızdan emin olun.
- Bu talimatlar ürünle birlikte verilen talimatları tamamlar. Diğer işlemler için lütfen ürün çalıştırma talimatlarına bakın.
- Üreticinin izni alınmadan ataşman tasarımında hiçbir şekilde değişiklik yapılamaz. Başkaları tarafından üzerinde değişiklik yapılmış gibi görünen bir ataşmanı kullanmayın ve her zaman orijinal aksesuarları kullanın. Onaylanmayan değişiklikler ve/veya aksesuarlar operatörler veya diğerleri için ciddi kişisel yaralanmalara veya ölüme yol açabilir.
- Titreşime aşırı ölçüde maruz kalmak, dolaşım bozukluğu olan kişilerde dolaşım veya sinir sistemi hasarına yol açabilir. Titreşime aşırı maruz kalma

belirtileri yaşıyorsanız doktorunuzla iletişime geçin. Bu belirtilerden bazıları uyuşma, his kaybı, karıncalanma, iğnelenme, acı, güç kaybı, ten renginde veya durumunda değişikliklerdir. Bu belirtiler genelde parmaklarda, ellerde veya bileklerde görülür. Bu belirtiler düşük sıcaklıklarda daha da arttırabilir.

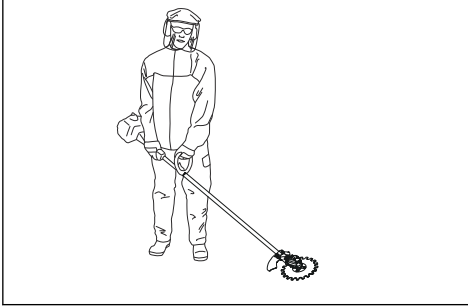
Kullanım için güvenlik talimatları



UYARI: Ürünü kullanmadan önce aşağıdaki uyarı talimatlarını okuyun.

- Ürünü, yalnızca bu kılavuzda belirtilen işlemler için kullanın. Bkz. *Kullanım amacı sayfa: 292*.
- Ürünü çalıştırabileceğinizden emin değilseniz kullanmayın.
- Bu ürünü yorgunken, hastayken veya alkol, uyuşturucu ya da ilaç kullandığımız durumlarda çalıştırmayın. Bu durum görüşünüzü, doğru düşünmenizi veya koordinasyonunuzu olumsuz etkileyebilir.
- Bir kaza gerçekleşmesi durumunda yardım alamayacak durumdaysanız ürünü kullanmayın.
- Hasar belirtileri varsa ürünü kullanmayın.
- Motor rölantide çalışırken kesme ataşmanının daima durduğundan emin olun.
- Kesim yaparken 15 m / 50 ft'ten daha yakınına kimsenin yaklaşmadığından emin olun. Çalışma alanında yalnızca onaylanmış kişilerin bulunduğundan emin olun.
- Çocukların ürünü kullanmalarına veya ürüne yaklaşmalarına izin vermeyin.
- Çalışma alanını temiz ve aydınlık tutun. Ürünü sis, sağanak yağmur, kuvvetli rüzgarlar, şiddetli soğuk, yıldırım riski gibi olumsuz hava koşullarında kullanmayın.
- Çalışma sırasında bıçaklara bir şey takılırsa motoru durdurun ve bıçaklar durana kadar bekleyin. Buji kapağını bujiden çıkarın/aküyü çıkarın. Bıçakları hareket ettirmek için kombine anahtar dışı kovani yuvasına yerleştirin; bkz. *Bıçakları bileyleme sayfa: 299*.
- Bıçaklar çalışma sırasında hasar görürse üst bıçak ve alt bıçak birbirine takılabilir. Bıçaklara dokunmayın; aniden hareket edebilir ve yaralanmaya neden olabilir.
- Çalışma sırasında emniyetli ve dengeli bir pozisyonda olduğunuzdan emin olun.
- Bu ürün nesnelere yüksek hızda fırlamasına neden olabilir. Çalışma alanındaki tüm kişilerin onaylı kişisel koruyucu ekipman kullandıklarından emin olun. Çalışma alanındaki bağımsız nesnelere uzaklaştırın.

- Kulak koruması taktığınızda çalışma alanını izleyin. Motor durduğunda kulak koruma ekipmanınızı mutlaka çıkarın.
- Üründe olağan dışı bir titreşim görülmesi durumunda motoru durdurun. Benzinle çalışan bir ürününüz varsa buji kapağını bujiden çıkarın. Aküyle çalışan bir ürününüz varsa aküyü çıkarın. Nedenini hemen kontrol edin. Titreşim genellikle bir hasar olduğunu gösterir.
- Motor çalışır durumdayken üründen uzaklaşmayın.
- Ürünü 2 elinizle tutun. Ürünü vücudunuzun sağ tarafında tutun. Ürünü, kesme ataşmanı bel hizanızın altında kalacak şekilde kullanın.



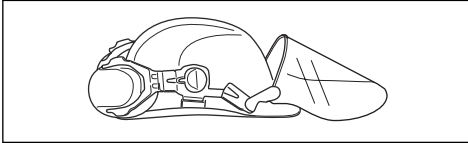
- Kesme ataşmanı operatörden uzağa doğru kesim yapmalıdır. Operatörün bulunduğu yöne doğru kesim yapılması ciddi yaralanmaya neden olabilir.
- Motor çalışırken elleriniz ve ayaklarınızın bıçakların yakınında olmadığından emin olun.

Kişisel koruyucu ekipman



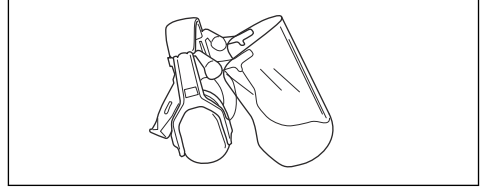
UYARI: Ürünü kullanmadan önce aşağıdaki uyarı talimatlarını okuyun.

- Ürünü kullanırken daima onaylı kişisel koruyucu ekipmanları kullanın. Kişisel koruyucu ekipmanlar yaralanma riskini tamamen engelleyemez ancak bir kaza durumunda yaralanmanın derecesini azaltır. Bayinizin doğru ekipmanı seçmenize yardımcı olmasını sağlayın.
- Nesnelerin düşme riski bulunan yerlerde koruyucu kask kullanın.

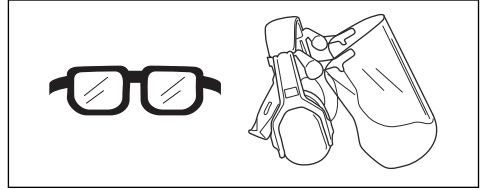


- Uzun süre gürültüye maruz kalmak işitme bozukluğuna yol açabilir. Genel olarak, aküyle çalışan ürünler diğerlerine göre daha sessizdir fakat gürültü düzeyi ve uzun kullanımın birleşmesiyle hasar meydana gelebilir. Husşvarna, operatörlerin ürünleri gün içinde uzun süre kullanacakları zaman

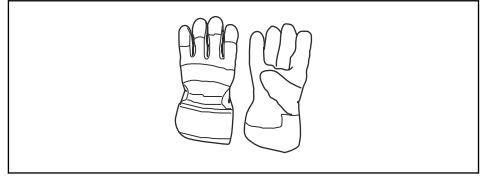
kulak koruma ekipmanları kullanmalarını önerir. Sürekli ve düzenli kullanıcıların işitme yetileri düzenli olarak kontrol edilmelidir. Kulak koruma ekipmanlarının sesleri ve uyarı sinyallerini duymayı sınırladığını unutmayın.



- Onaylı koruyucu gözlük kullanın. Vizör kullanıyorsanız onaylı koruma gözlüğü de kullanmanız gerekir. Onaylı koruma gözlüğü ABD'de ANSI Z87.1 veya AB ülkelerinde EN 166 standardıyla uyumlu olmalıdır.



- Ürünü inceleme veya temizleme gibi eldiven gerektiren durumlarda eldiven kullanın.

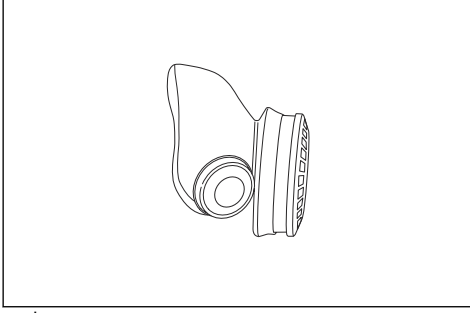


- Kaymaz tabanlı koruyucu botlar veya ayakkabılar giyin.

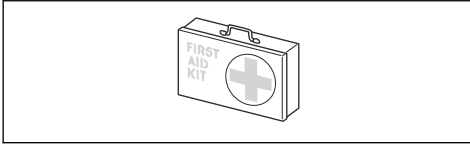


- Sağlam kumaştan yapılmış kıyafetler kullanın. Daima kalın ve uzun pantolonlarla uzun kollu kıyafetler kullanın. Çalılara ve dallara takılabilecek bol kıyafetler kullanmayın. Takı takmayın; şort, açık ayakkabı giymeyin veya çıplak ayakla dolaşmayın. Saçınızı güvenli bir şekilde omuz hizanızın üzerinde toplayın.

- Toz riski varsa solunum koruması kullanın.



- İlk yardım ekipmanını yakında bulundurun.



Ataşman üzerindeki güvenlik araçları



UYARI: Ataşmanı kullanmadan önce aşağıdaki uyarı talimatlarını okuyun.

Bu bölümde ataşmanın güvenlik özellikleri, amacı ve ataşmanın düzgün çalışması için bakım ve kontrollerin nasıl yürütülmesi gerektiği açıklanmaktadır. Bu parçaların ataşmanızın neresinde bulunduğunu görmek için *Kesme ataşmanına genel bakış sayfa: 292* başlığı altındaki talimatları okuyun.

Ataşman bakımı doğru şekilde yapılmazsa ve servis ve/veya onarım işlemleri profesyonel olarak gerçekleştirilmezse ataşmanın kullanım ömrü azalabilir ve kaza riski artabilir. Daha fazla bilgiye ihtiyacınız olursa lütfen en yakın servis bayisiyle iletişime geçin.



UYARI: Güvenlik bileşenleri kusurlu olan bir ataşmanı asla kullanmayın. Ataşmanın güvenlik ekipmanı bu bölümde açıklandığı gibi kontrol edilmeli ve bakıma alınmalıdır. Ataşmanızın bu kontrollerden herhangi birini geçemezse onarım için servis nokتانızla iletişime geçin.



UYARI: Ürünün servis ve onarım işlemlerinin tümü özel eğitim gerektirir. Bu durum özellikle ürünün güvenlik donanımı için geçerlidir. Ürününüz aşağıda açıklanan kontrollerin herhangi birinden başarıyla geçemezse servis nokتانızla iletişime geçmeniz gerekir. Herhangi bir ürünümüzü satın aldığınızda profesyonel tamir ve servis hizmetlerinin mevcut bulunduğunu garanti etmekteyiz. Ürününüzü satan bayi bir servis

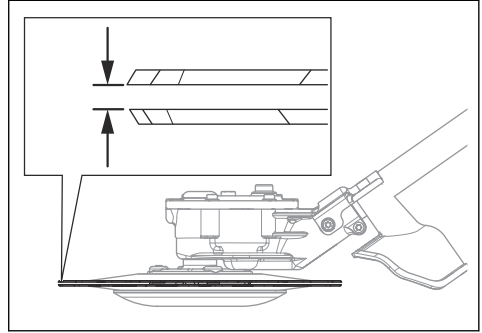
bayisi değilse size en yakın servis nokتانının adresini sorun.

Kesme ataşmanını ve kesme ataşmanı siperliğini kontrol etme

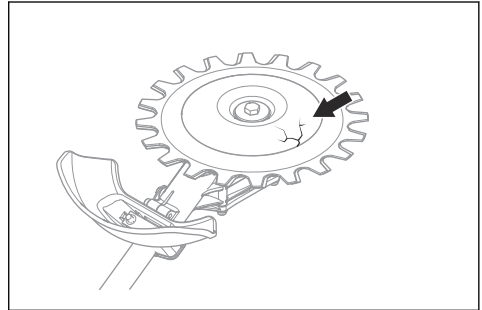


UYARI: Kesme ataşmanını onaylı bir kesme ataşmanı siperliği olmadan kullanmayın. Hatalı veya arızalı bir kesme ataşmanı siperliğinin takılması yaralanmalara neden olabilir.

1. Motoru durdurun ve kesme ataşmanının durduğundan emin olun.
2. Benzinle çalışan bir ürününüz varsa buji kapağını bujiden çıkarın. Aküyle çalışan bir ürününüz varsa aküyü üründen çıkarın.
3. Koruyucu eldivenleri giyin.
4. Bıçakların hasarlı olmadığından emin olun. Hasarlı bıçakları değiştirin. Bkz. *Bıçakların değiştirilmesi sayfa: 300*.
5. Bıçakları kontrol edin. Bıçaklar arasında boşluk bulunmadığından emin olun. Bıçaklar arasında boşluk varsa bıçaklar ayarlanmalıdır. Bkz. *Bıçaklar arasındaki boşluğu ayarlama sayfa: 301*.

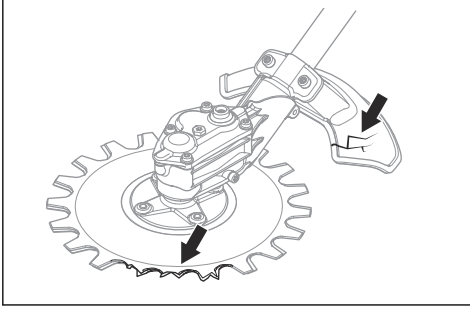


6. Destek manşetinin hasarlı olmadığından emin olun. Hasarlıysa destek manşetini değiştirin.



7. Kesme ataşmanındaki vidaların sıkılmış olduğundan emin olun.

8. Bıçakların ve kesme ataşmanı siperliğinin hasarlı olmadığından emin olun. Hasarlı parçaları değiştirin.



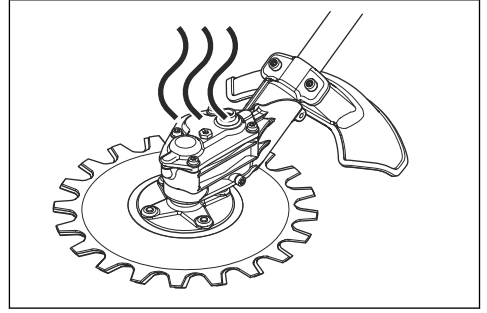
Bakım için güvenlik talimatları



UYARI: Kesme ataşmanı, gaz/güç tetiği bırakıldıktan sonra dönmeye devam edebilir. Benzinle çalışan bir ürününüz varsa buji kapağını bujiden çıkarın. Aküyle çalışan bir ürününüz varsa aküyü üründen çıkarın. Bakım yapmadan önce kesme ataşmasının tam olarak durduğundan emin olun.



UYARI: Dişli kovani, ürünün çalışması sırasında ısınır. Sıcak yüzeyler yanıklara neden olabilir; dişli kovana dokunmayın.



- Kesme ataşmasını onarıırken mutlaka ağır hizmet tipi eldiven takın. Kesme donanımı çok keskindir ve kolayca kesiklere neden olabilir.
- Tamir için yalnızca orijinal yedek parça kullanınız.

BU TALİMATLARI SAKLAYIN

Kullanım

Çalışma tekniği



UYARI: Kesme ataşmanı siperliği ile kesme ataşmanı arasına dal veya çim sıkışabilir. Kesme ataşmasını temizlemeden önce motoru mutlaka durdurun.

- Keserken tam gaz/hız verin ve her kesimden sonra rölanti hızına düşürün.

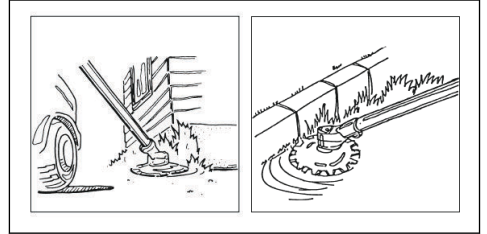


DİKKAT: Motor yüksüz halde çok uzun süre tam gazda çalıştırılırsa hasar görebilir.

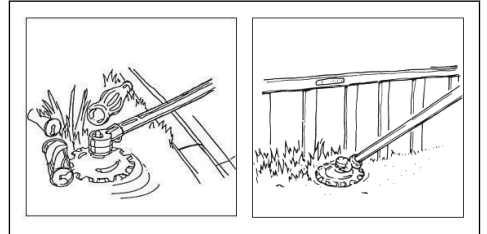
Kesme ataşmasının önerilen kullanımı

Kesme ataşmanı bıçakları küçük bir açıyla hareket eder ve her yönde kesebilir. Kesme ataşmasını zemin boyunca, destek manşetinin zemine temas ettiği bir yükseklikte hareket ettirin. Kesme ataşmasını aşağıdaki alanlarda kesim yapmak için kullanın:

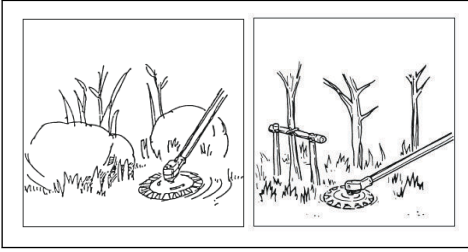
- Park alanları ve yol kenarlarında.



- Yol kenarında ve çitlerin yakınında.



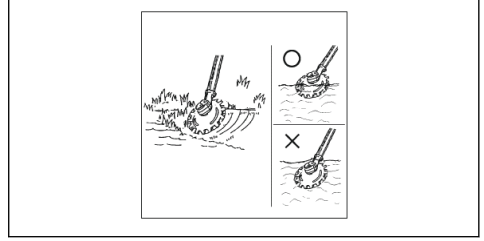
- Taş ve ağaçların çevresinde.



- Su yakınında.



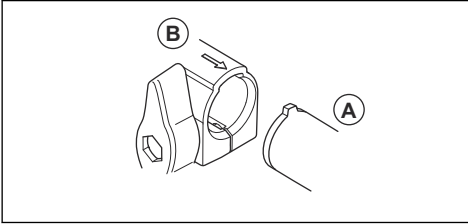
DİKKAT: Dişli kovanını suya koymayın.



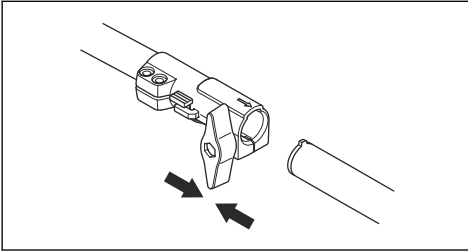
Montaj

İki parçalı milin montajı

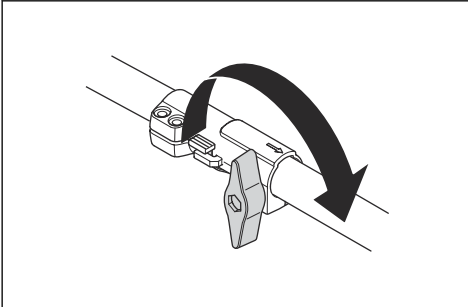
1. Bağlantıyı gevşetmek için düğmeyi çevirin.
2. Kesme donanımının (A) tırnağını bağlantıdaki (B) ok ile hizalayın.



3. Tık sesi duyana kadar mili dikkatlice bağlantıya itin.

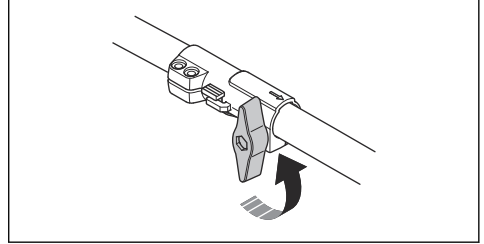


4. Topuzu tamamen sıkın.

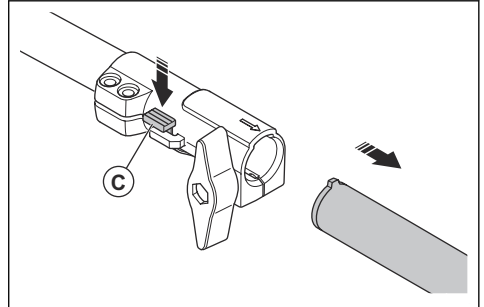


İki parçalı mili sökme

1. Bağlantıyı gevşetmek için düğmeyi 3 tur veya daha fazla çevirin.



2. (C) düğmesine basılı tutun.
3. Motorun takılı olduğu milin ucunu sıkıca tutun.
4. Ataşmanı bağlantıdan çekip çıkarın.



Bakım

Giriş

Aşağıda bazı genel bakım talimatlarını bulabilirsiniz. Daha fazla bilgiye ihtiyaç duyarsanız lütfen servisle irtibata geçin.

Bakım takvimi

Aşağıda, kesme ataşmanı üzerinde yapılması gereken bakım işlemlerinin bir listesi bulunmaktadır.

Bakım	Günlük	Haftalık olarak	Aylık olarak
Ürünün dış kısımlarını temizleyin.	X		
Bıçakların hasarlı olmadığından emin olun. Hasarlı bıçakları değiştirin.	X		
Kesme ataşmanı siperliğinin zarar görmemiş olduğundan emin olun. Hasar görmesi durumunda kesme ataşmanı siperliğini değiştirin.	X		
Destek manşetinin hasarlı olmadığından emin olun. Hasarlıysa destek manşetini değiştirin.	X		
Vida ve somunların sıkı olduğundan emin olun.	X		
Dişli kovanını, yaklaşık her 100 çalışma saatinde bir gres ile doldurun.		X	

Bıçakları temizleme ve yağlama

1. Ürünü kullanmadan önce ve kullandıktan sonra bıçaklardaki istenmeyen maddeleri temizleyin.
2. Uzun süreli depolama öncesinde bıçakları yağlayın.

Not: Önerilen temizleme maddesi ve yağlar hakkında daha fazla bilgi için servis bayinizle görüşün.

Dişli kovanını yağlama

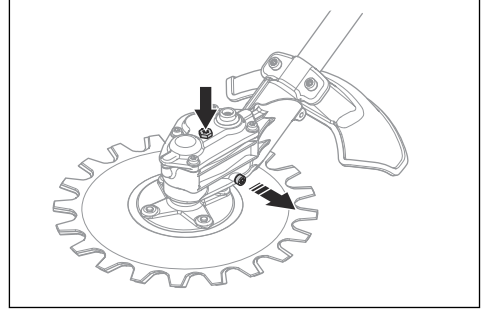


DİKKAT: Dişli kovanını tamamen doldurmayın. Dişli kovani doluyrsa gres, contalara zarar verebilir ve sızıntıya neden olabilir.

1. Gres tapalarını çıkarın.

Not: Operatör, kesme ataşmanı üzerinde yalnızca bu kullanım kılavuzunda verilen bakım ve servis işlemlerini yapmalıdır. Diğer bakım ve servis işlemleri yetkili bir servis tarafından gerçekleştirilmelidir.

2. Üst deliğe gres ekleyin.



3. Gres tapalarını takın.

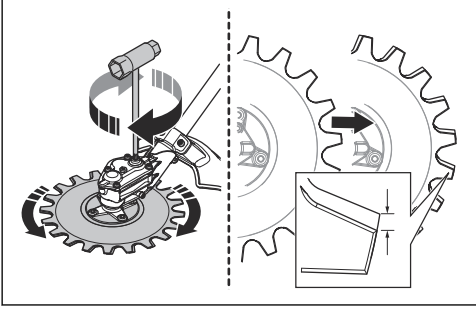
Bıçakları bileleme



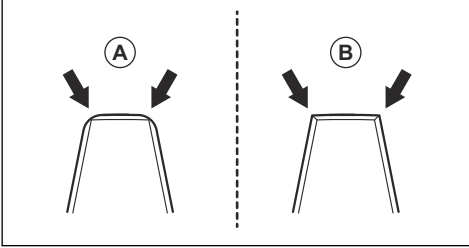
UYARI: Bıçakları tutarken koruyucu eldiven kullanın.

1. Kombine anahtarı dişli kovanındaki yuvaya yerleştirin.

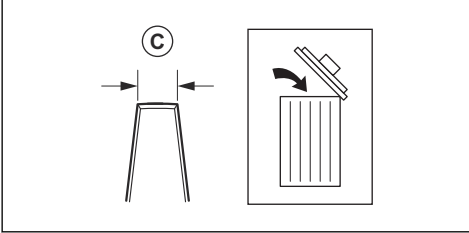
2. Kombine anahtarını, üst bıçak ve alt bıçak arasında 3 mm/0,12 inç fark olana kadar çevirin.



3. Taşlayıcı ile erişilebileceğiniz kenarları (B) bileyleyin. Köşeleri yuvarlamadığınızdan (A) emin olun.



4. Karşı kenarlara ulaşmak için kombine anahtarını ters yönde çevirin.
5. Taşlayıcı ile erişilebileceğiniz kenarları bileyleyin.
6. Diş genişliği 8 mm/0,32 inç (C) değerinin altına düştüğünde bıçakları değiştirin.



Bıçakların değiştirilmesi



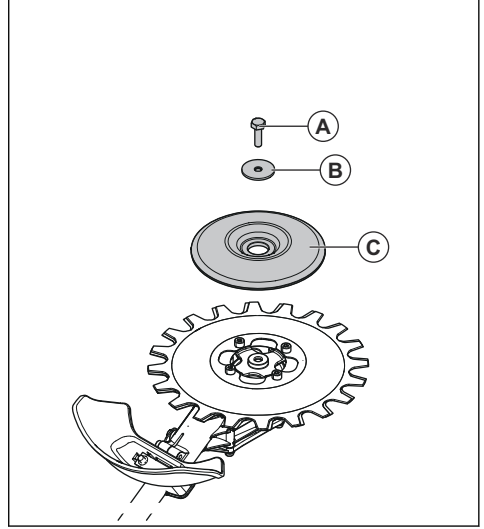
UYARI: Bıçakları tutarken koruyucu eldiven kullanın.



UYARI: Üründeki dengesizliği ve titreşimleri önlemek için bıçakları değiştirirken kesme ataşmanını temizleyin.

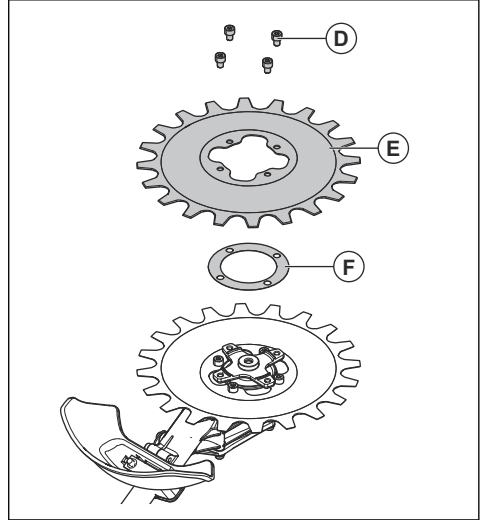
Not: Bıçaklar birbirinin yerine kullanılabilir.

1. Orta vidayı (A), rondelayı (B) ve destek manşetini (C) çıkarın.

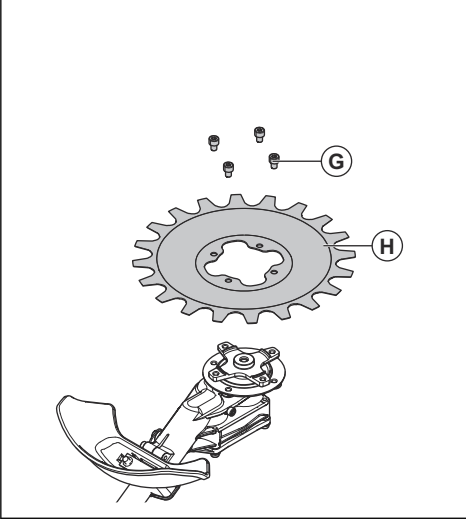


Not: Orta vida soldan dışlıdır

2. 4 vidayı (D), alt bıçağı (E) ve ayar pulunu (F) çıkarın.



3. 4 vidayı (G) ve üst bıçağı (H) çıkarın.



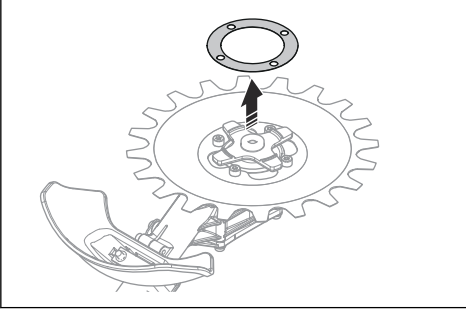
4. Bıçakları ters sırayla takın. Bıçakları takarken vidaları eşit biçimde sıkın.

Bıçaklar arasındaki boşluğu ayarlama



UYARI: Bıçakları tutarken koruyucu eldiven kullanın.

1. Alt bıçağı çıkarın; bkz. *Bıçakların değiştirilmesi sayfa: 300.*
2. Ayar pulunu çıkarın.



Not: Bıçakları değiştirme zamanı gelinceye kadar ayar pulunu saklayın.

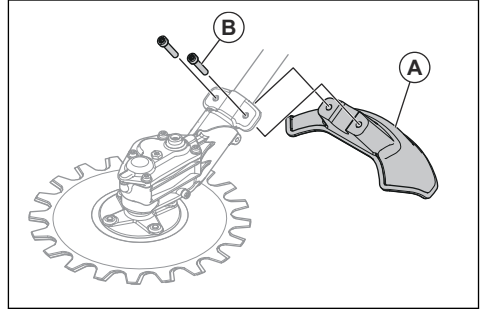
3. Alt bıçağı takın. Bıçakları takarken vidaları eşit biçimde sıkın.

Kesme ataşmanı siperliğini değiştirme



UYARI: Bıçakları tutarken koruyucu eldiven kullanın

- 2 vidayı (B) ve kesme ataşmanı siperliğini (A) çıkarın.
- Yeni kesme ataşmanı siperliğini (A) 2 vida (B) ile takın. Vidaları eşit biçimde sıkın.



Taşıma, depolama ve atma

Taşıma ve depolama

- Ürün kullanılmadığında, taşınırken veya saklanırken nakliye koruyucusunun kesme ataşmanına doğru bir şekilde bağlandığından emin olun.

- Çocukların veya yetkili olmayan kişilerin erişmesini önlemek için kesme ataşmanını kilitli bir alanda tutun.
- Hasar ve kazaları önlemek için taşıma sırasında kesme ataşmanını güvenli bir şekilde bağlayın.

- Uzun süreli depolamadan önce kesme ataşmanının temiz olduğundan ve eksiksiz bir servis işleminin yapıldığından emin olun.

Teknik veriler

Teknik veriler

RA850	
Ağırlık	
Ağırlık, kg	2,5
Gürültü yayma⁷⁰	
Ses gücü seviyesi, ölçülmüş dB (A)	102
Ses gücü seviyesi, garanti edilen L_{WA} , dB(A)	105
Gürültü seviyeleri⁷¹	
EN ISO 11806-1 ve EN ISO 22868'e göre ölçülen, operatörün kulağında oluşan eşdeğer ses basıncı seviyesi, dB(A)	
Onaylı aksesuarla (orijinal) donatılmış	90
Titreşim seviyeleri⁷²	
EN ISO 11806-1 ve ISO 22867'ye göre ölçülen, tutma yerlerinde oluşan eşdeğer titreşim seviyeleri ($a_{hv,eq}$), m/s^2	
Onaylı aksesuarla (orijinal) donatılmış, sol/sağ	3,9/4,8
Bıçaklar	
Çap, mm	230
Bıçak hızı, kesme/dak	4600

⁷⁰ Ses gücü (L_{WA}) türünden ortamda ölçülen gürültü yayma değeri, 2000/14/AT sayılı AT direktifine uygun olarak ölçülmüştür. Makine için bildirilen ses seviyesi, en yüksek seviyeyi veren orijinal kesme ataşmanıyla ölçülmüştür. Garanti edilen ve ölçülen ses düzeyi arasındaki fark, garantili ses gücünün 2000/14/AT Sayılı Direktif doğrultusunda ölçüm sonucundaki dağılımı ve aynı modelden farklı makineler arasındaki değişimleri de içermesidir.

⁷¹ Makinenin eşdeğer ses basıncı seviyesi için bildirilen verilerdeki tipik istatistik dağılımı (standart sapma) 1 dB'dir (A).

⁷² Eş değer titreşim seviyesi için bildirilen verilerin tipik istatistik dağılımı (standart sapması) 1 m/s^2 şeklindedir.

AT Uyumluluk Bildirimi

AT Uyumluluk Bildirimi

Husqvarna AB, SE-561 82 Huskvarna, İsveç, tel.:
+46-36-146500; seri numaraları 2019 veya sonraki tarihli
(yıl, seri numarasıyla birlikte nominal değerler
plakasında açıkça belirtilmiştir) reciprocator attachment
Husqvarna RA850 ürünlerinin aşağıdaki KONSEY
DİREKTİFİ gereksinimleriyle uyumlu olduğunu belirtir:

- 17 Mayıs 2006 tarihli ve **2006/42/AT** sayılı
"makinelere ilgili" direktif.
- 8 Haziran 2011 tarihli ve **2011/65/AB** sayılı "elektrikli
ve elektronik ekipmanlarda belirli tehlikeli maddelerin
kullanımının kısıtlanmasına ilişkin" direktif.
- 8 Mayıs 2000 tarihli ve **2000/14/AT** sayılı "çevreye
gürültü yayma ile ilgili" direktif. Uyumluluk
değerlendirmesi Ek V'e göre yapılmıştır. Gürültü
yayma hakkında bilgi için Teknik veriler bölümüne
bakın.

Aşağıdaki standartlar uygulanmıştır:

EN ISO 11806-1:2011, EN 50581:2012

RISE SMP Svensk Maskinprovning AB, Box 7035,
SE-750 07 Uppsala, Sweden; Husqvarna AB için
gönüllü olarak tip onayı gerçekleştirmiştir. Belgeler şu
sayılara sahiptir: **SEC/19/2528**

Huskvarna, 2019-03-11



Per Gustafsson, Geliştirme Müdürü (Husqvarna AB
yetkili temsilcisi ve teknik dokümantasyon sorumlusu)

Türk ithalat şirketi daha fazla bilgi için temas
edilecek: ÇULLAS ORMAN BAHÇE VE TARIM
MAKİNELERİ SAN. TİC.LTD.ST<
SUADIYE MAHALLESİ BAGDAT CADDESİ
NO:455/3 KADIKOY / İSTANBUL / TÜRKİYE
+90 216 519 88 82
MAHMUT GUNAY GURCAY
mgg@cullas.com.tr





www.husqvarna.com

Original instructions
Оригинални инструкции
Původní pokyny
Originale instruktioner
Originalanweisungen
Αρχικές οδηγίες
Instrucciones originales
Originaaljuhend
Alkuperäiset ohjeet
Instructions d'origine
Eredeti útmutatás
Istruzioni originali

Originalios instrukcijos
Lietošanas pamācība
Originale instructies
Originale instruksjoner
Oryginalne instrukcje
Instruções originais
Instrucțiuni inițiale
Оригинальные инструкции
Pôvodné pokyny
Izvirna navodila
Bruksanvisning i original
Orijinal talimatlar

1141214-38



2019-04-23